

# SuperBay™ Installation Guide

AllSportSystems®



# IMPORTANT WARNING

**USE THIS PRODUCT AT YOUR OWN RISK. NO CLAIM IS MADE AS TO ITS SAFETY, FITNESS, OR RELIABILITY FOR ANY PURPOSE. HITTING GOLF BALLS IN AN INDOOR ENVIRONMENT IS EXTREMELY DANGEROUS! ALWAYS EXERCISE CAUTION WHEN USING YOUR SYSTEM. WE RECOMMEND HITTING 'ALMOST GOLF' BALLS OR SIMILAR LIGHTWEIGHT GOLF BALLS FOR INCREASED SAFETY. NEVER SWING A GOLF CLUB IN CLOSE PROXIMITY TO PETS OR PEOPLE. ALWAYS STAND AS CLOSE AS POSSIBLE TO THE HITTING BAY TO MINIMIZE THE RISK OF STRAY SHOTS FLYING OUTSIDE THE ENCLOSURE. NEVER ALLOW ANYONE TO STAND IN FRONT OF YOU, OR ON EITHER SIDE OF THE ENCLOSURE WHILE YOU ARE HITTING!**

# SuperBay™ Parts List

## Fabric Parts:

- 2 x Black Fabric Side Panels
- 2 x Black Fabric Corner Panels
- 1 x Black Fabric Top Center Panel
- 1 x Black Fabric Back Panel
- 4 x Black Fabric Pole Sleeves
- 1 x Impact Screen

## Netting:

- 1 x Interior Net (4 nets sewn together to cover top, sides and back of enclosure)
- 1 x Baffle Net (single net hangs behind screen)

## Additional Hardware:

- 1 x package of cable (zip) ties
- 3 x nylon coated cable wire & turnbuckle assembly

## Connector Kit:

- 6 x 3-Way Connectors
- 2 x 90° Connector
- 2 x T-Connectors

## If Wider than 10ft:

- 4 x Pole Couplers + 8 x hex bolts

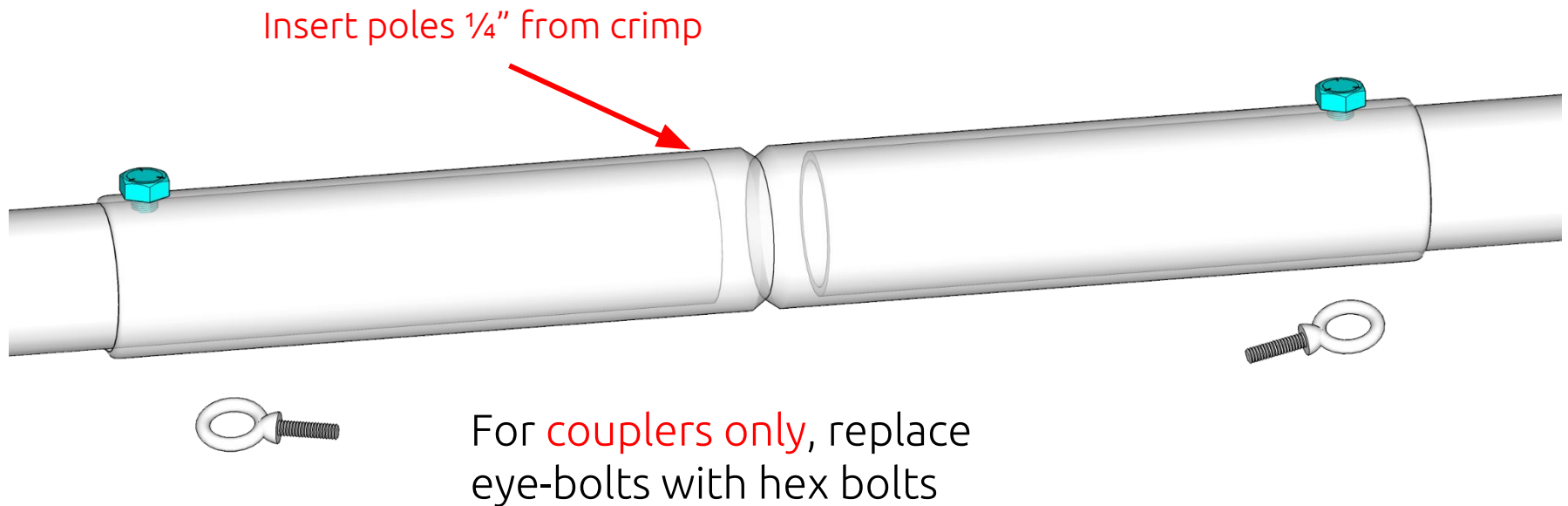


## EMT Pole Kit (optional upgrade):

- 8 x Height EMT Poles + 4 x couplers + 8 hex bolts
- 8 x Width EMT Poles + 4 x couplers + 8 hex bolts
- 4 x Depth EMT Poles

# Couplers

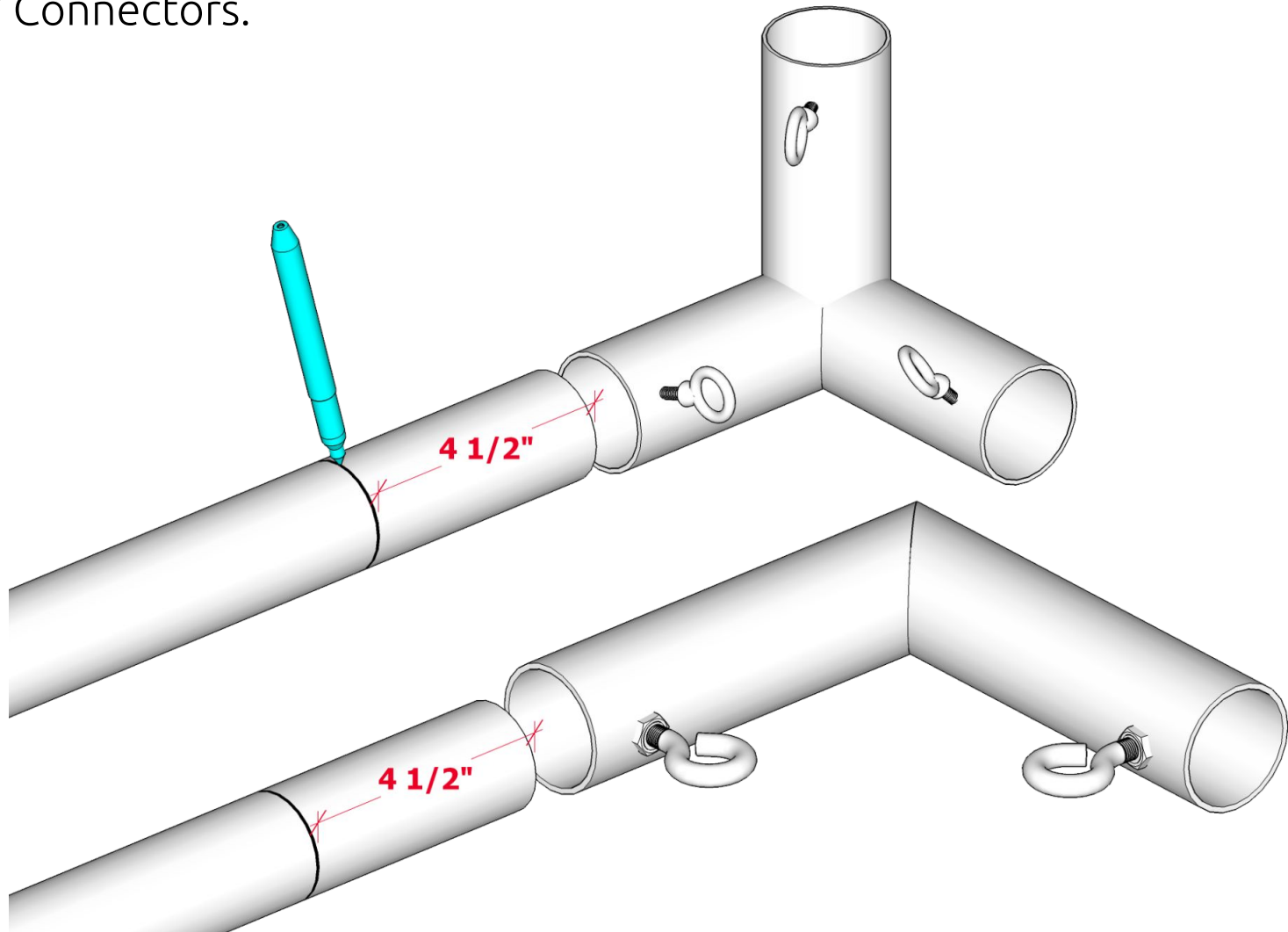
- Replace eye-bolts with hex bolts on all couplers.
  - Do not insert pole all the way into couplers. Pull pole about 1/4" back from the crimp point.
- ⚠ Forcing poles all the way to crimp may cause poles to exit coupler at an angle.





# Corner Connectors

- Mark and insert poles 4-½" into 3-Ways and 90° Connectors.



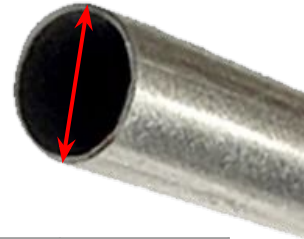
# SuperBay™ EMT Pole Cutting Chart

Use this chart to purchase and cut your own EMT Poles

⚠ See [SkyBridge](#) or [SkyRailPlus](#) setup guides for modified cage assembly if these upgrades are included. Note that your EMT pole count will be reduced by 1 or 2 width poles respectively.

- 1" Common EMT 10-ft conduit can be purchased from a local home improvement store. Use the chart below to purchase correct quantity and cut to the proper lengths.

Actual dia 1-3/16"  
(30.16 mm)



Size	Height Poles	Width Poles	Width Extensions	Depth Poles 5', 8' and 10'	Pole Count
8'H x 10'W	QTY 4 Poles 7'-9"	QTY 4 Poles 9'-9"	None needed	5' D QTY 2 Poles to 4 pieces 4'-9" 8' D QTY 4 Poles 7'9" 10' D QTY 4 Poles 9'9"	10 12 12
9'H x 10'W	QTY 4 Poles 8'-9"	QTY 4 Poles 9'-9"	None needed	5' D QTY 2 Poles to 4 pieces 4'-9" 8' D QTY 4 Poles 7'9" 10' D QTY 4 Poles 9'9"	10 12 12
9'H x 12'W	QTY 4 Poles 8'-9"	QTY 4 Poles 10' (no cuts)	QTY 1 pole to 4 pieces 1'9"	5' D QTY 2 Poles to 4 pieces 4'-9" 8' D QTY 4 Poles 7'9" 10' D QTY 4 Poles 9'9"	11 13 13
9'H x 14'W	QTY 4 Poles 8'-9"	QTY 4 Poles 10' (no cuts)	QTY 2 poles to 4 pieces 3'9"	5' D QTY 2 Poles to 4 pieces 4'-9" 8' D QTY 4 Poles 7'9" 10' D QTY 4 Poles 9'9"	12 14 14
10'H x 16'W	QTY 4 Poles 9'-9"	QTY 4 Poles 10' (no cuts)	QTY 4 poles to 4 pieces 5'9"	5' D QTY 2 Poles to 4 pieces 4'-9" 8' D QTY 4 Poles 7'9" 10' D QTY 4 Poles 9'9"	14 16 16

Tip: If you ordered custom bay, all poles are cut 3" shorter than desired cage dimension.

# CAGE ASSEMBLY - EMT's Purchased Locally

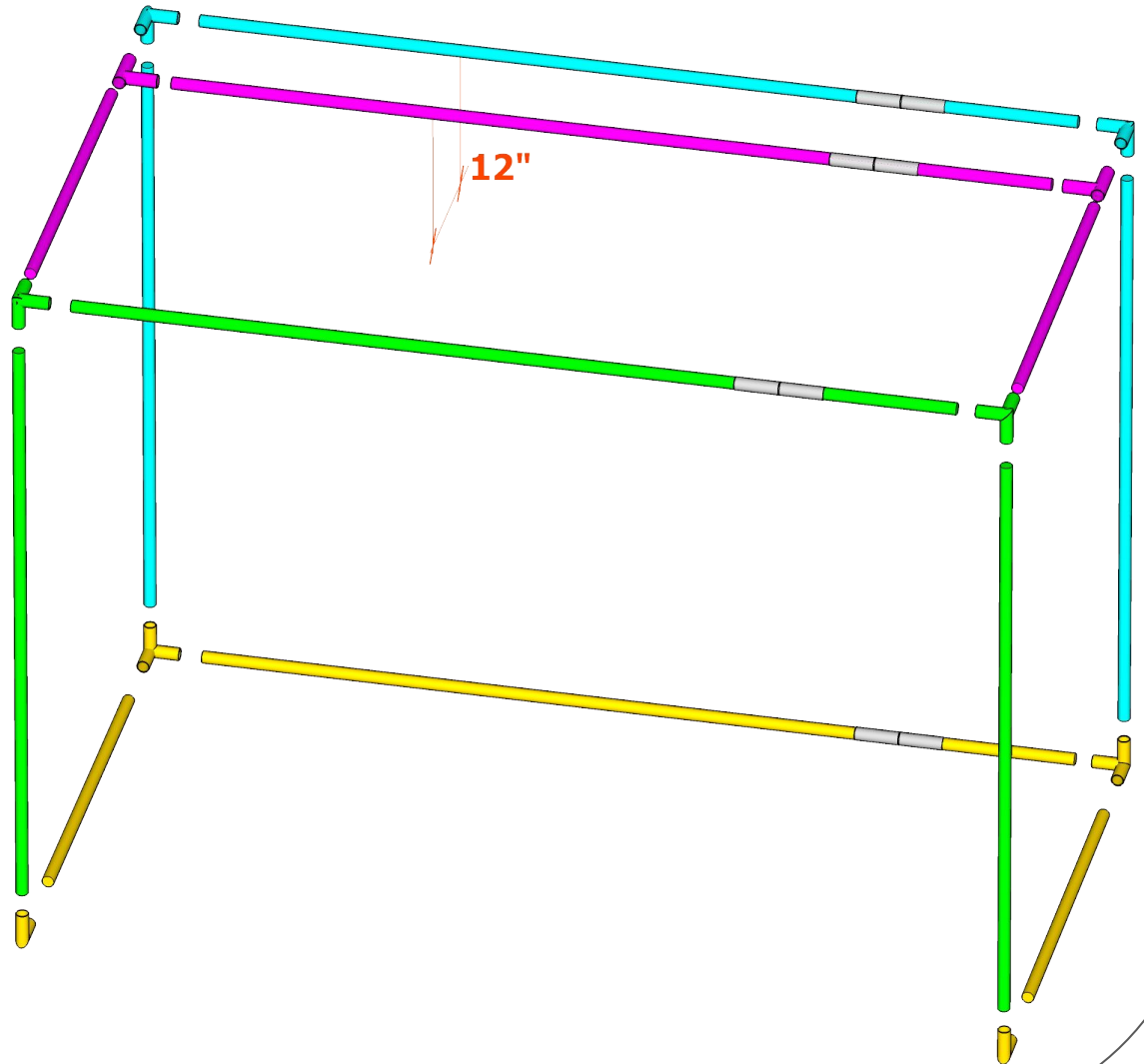
Use this diagram to assemble your cage from EMT's purchased and cut locally

 See [SkyBridge](#) or [SkyRailPlus](#) setup guides for modified cage assembly if these upgrades are included. Note that your EMT pole count will be reduced by 1 or 2 width poles respectively.

1) BUILD BOTTOM	2 x 3-Ways 2 x 90° 2 x Depth poles 1 x Width pole 1 x Coupler + extender*
2) BUILD REAR	2 x 3-Ways 2 x Height poles 1 x Width pole 1 x Coupler + extender*
3) BUILD DEPTH	2 x Depth poles 2 x T-Connectors 1 x Width pole 1 x Coupler + extender*
4) BUILD FRONT	2 x 3-Ways 2 x Height poles 1 x Width pole 1 x Coupler + extender*

\* Couplers + extender poles only needed for bays larger than 10ft wide.

- On each coupler replace eye-bolts with hex bolts.
- Insert poles 1/4" from the crimp in couplers.
- Insert poles 4 1/2" into 3-Ways and 90° connectors.



# SuperBay™ EMT Pole Kit Chart

This chart shows quantity and length of poles for the Precut 1" EMT Pole Kit upgrade, for 5ft deep cages

 See [SkyBridge](#) or [SkyRailPlus](#) setup guides for modified cage assembly if these upgrades are included. Note that your EMT pole count will be reduced by 1 or 2 width poles respectively.

SuperBay Size	Height Poles	Width Poles	Depth Poles	Couplers
8'H x 10'W	QTY 8 Poles 46.5	QTY 8 Poles 58.5	5' D - QTY 4 Poles 57" 8' D - QTY 8 Poles 46.5" 10' D - QTY 8 Poles 58.5"	8 12 12
9'H x 10'W	QTY 8 Poles 52.5"	QTY 8 Poles 58.5"	5' D - QTY 4 Poles 57" 8' D - QTY 8 Poles 46.5" 10' D - QTY 8 Poles 58.5"	8 12 12
9'H x 12'W	QTY 8 Poles 52.5"	QTY 8 Poles 70.5"	5' D - QTY 4 Poles 57" 8' D - QTY 8 Poles 46.5" 10' D - QTY 8 Poles 58.5"	8 12 12
9'H x 14'W	QTY 8 Poles 52.5	QTY 8 Poles 82.5"	5' D - QTY 4 Poles 57" 8' D - QTY 8 Poles 46.5" 10' D - QTY 8 Poles 58.5"	8 12 12
10'H x 16'W	QTY 8 Poles 52.5"	QTY 8 Poles 94.5"	5' D - QTY 4 Poles 57" 8' D - QTY 8 Poles 46.5" 10' D - QTY 8 Poles 58.5"	8 12 12

If custom bay, assembled pole lengths will be 3" shorter than desired cage dimension.



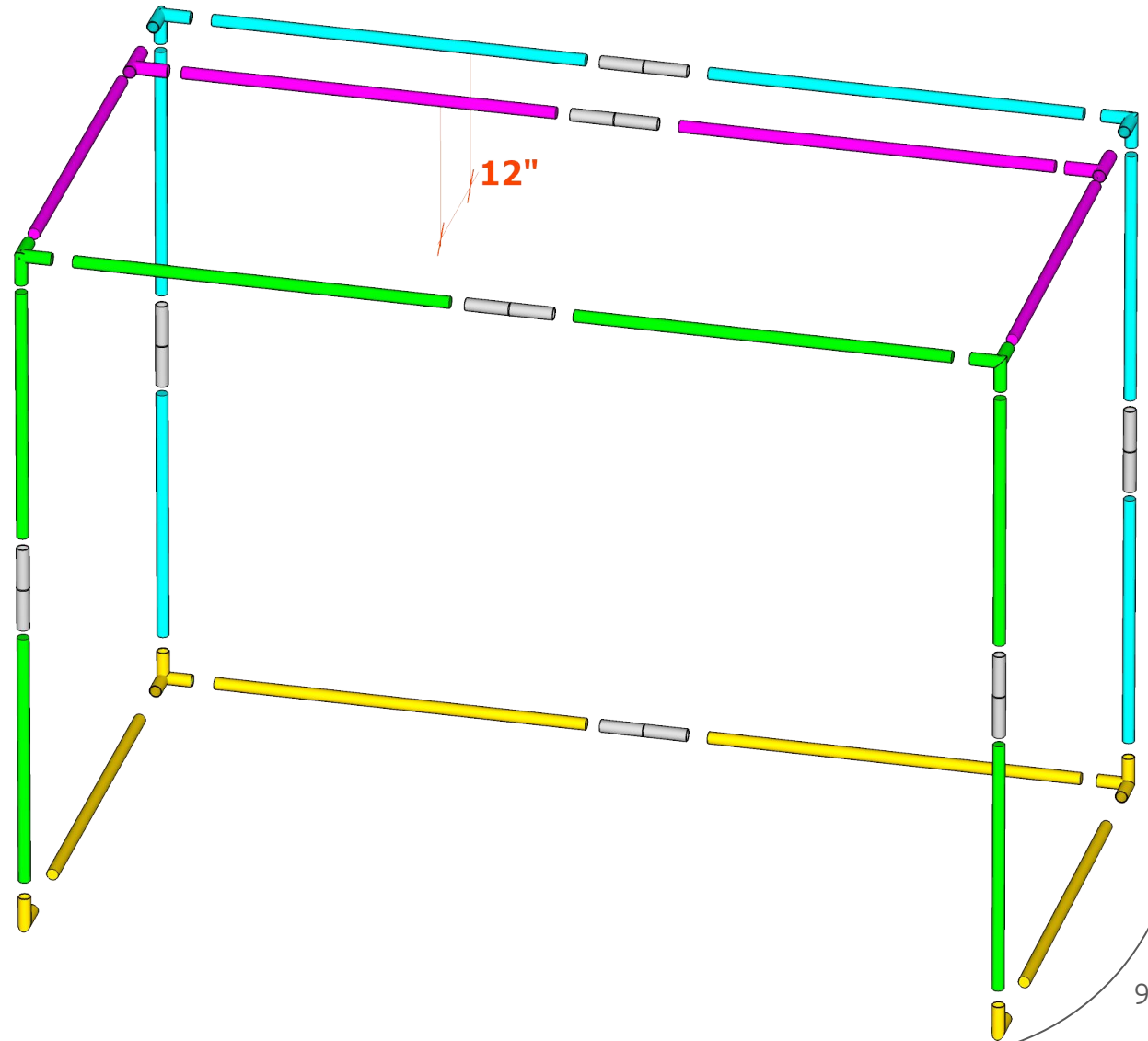
# CAGE ASSEMBLY for EMT Pole Kit

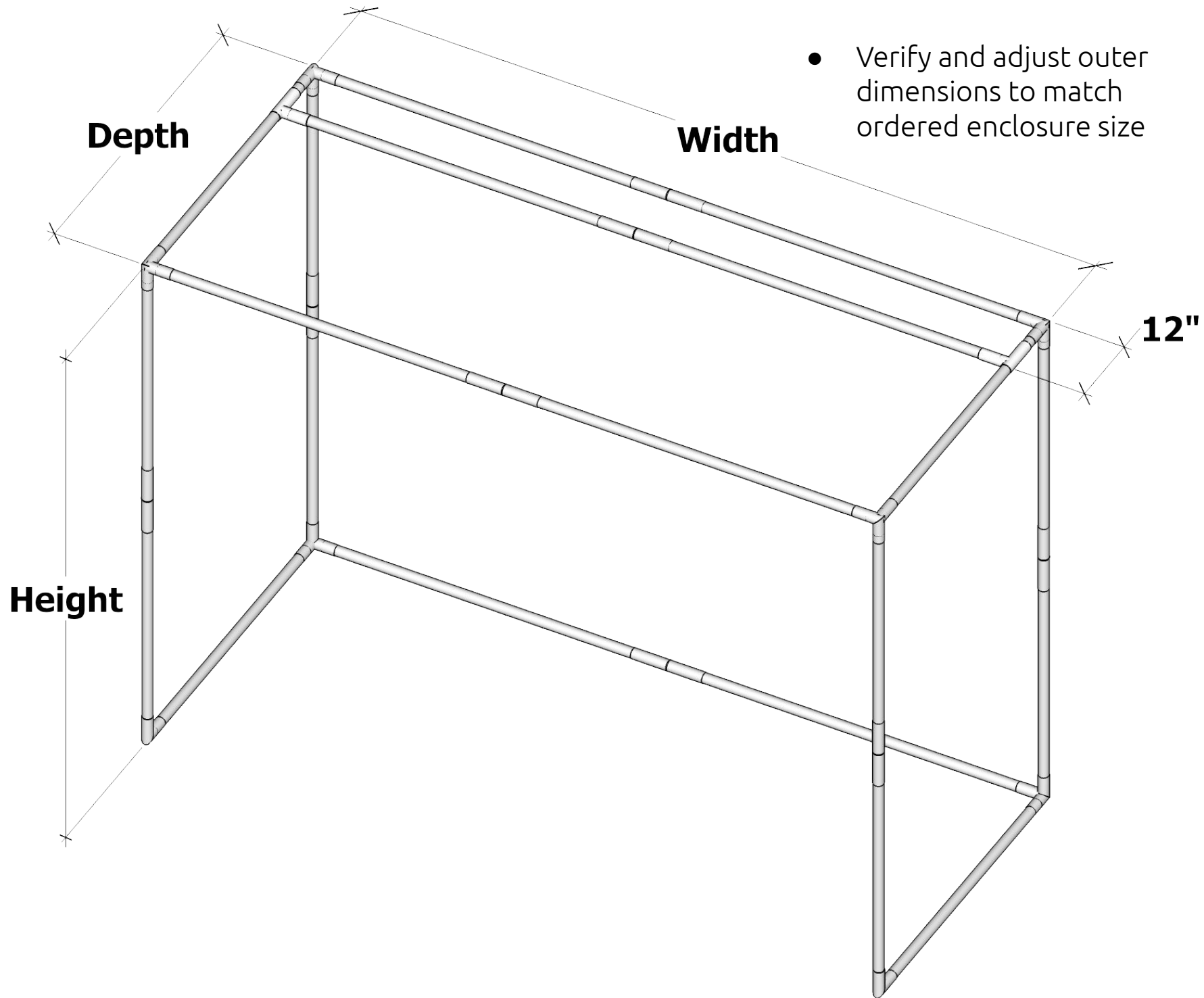
Use this diagram to assemble your cage from Precut 1" EMT Pole Kit upgrade

⚠ Be sure to see [SkyBridge](#) or [SkyRailPlus](#) setup guides for modified cage assembly if these upgrades are included.  
Note that your EMT pole count will be reduced by 1 or 2 width poles respectively.

- Insert poles 4 ½" into 3-Ways and 90° connectors
- Insert poles ¼" from the crimp in couplers
- Replace eye-bolts with hex bolts for each coupler.

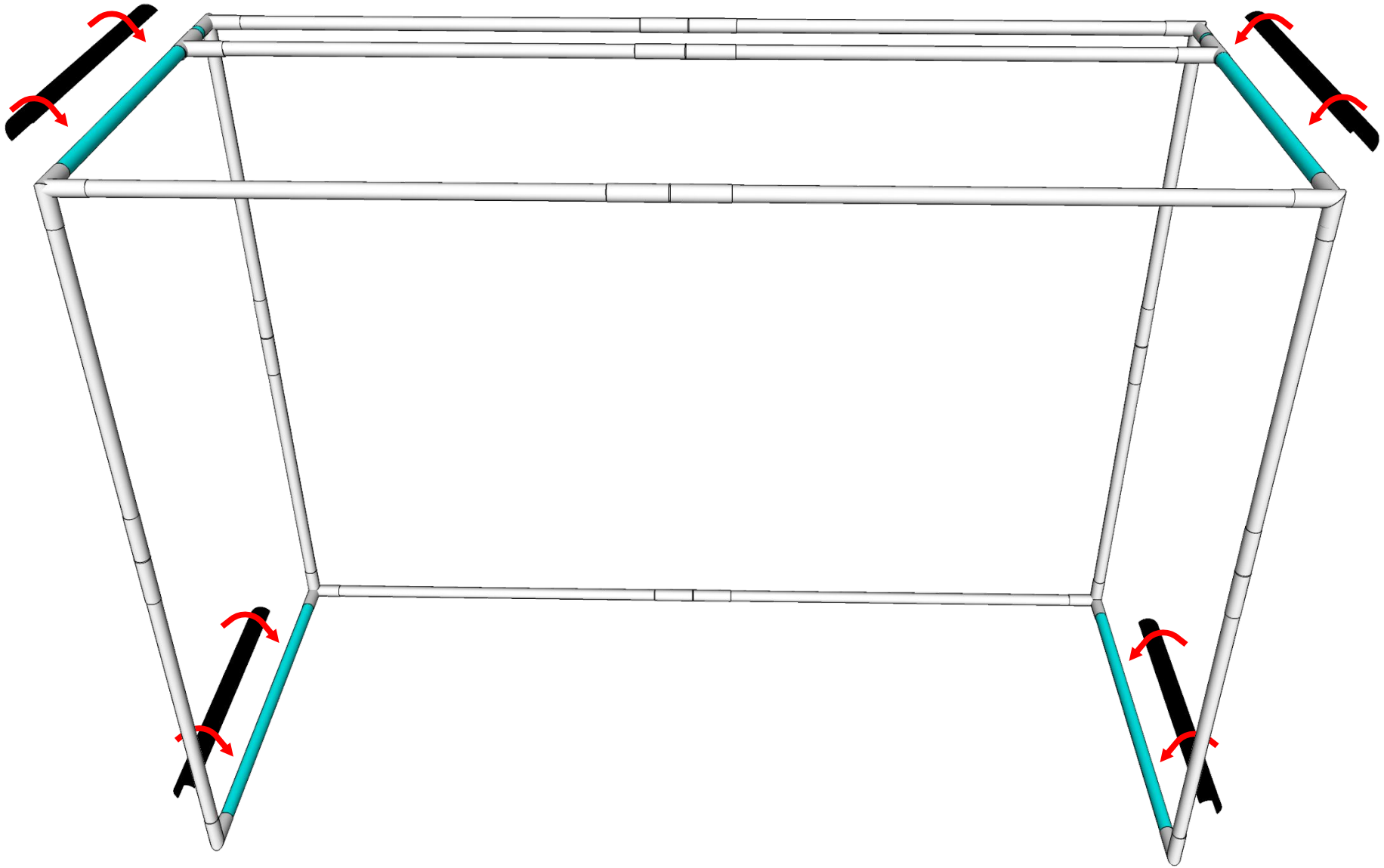
1) BUILD BOTTOM	2 x 3-Ways 2 x 90° 2 x Depth poles 2 x Width pole + coupler
2) BUILD REAR	2 x 3-Ways 4 x Height poles + couplers 2 x Width poles + coupler
3) BUILD DEPTH	2 x T-Connectors 2 x Depth poles 2 x Width pole + coupler
4) BUILD FRONT	2 x 3-Ways 4 x Height poles + couplers 2 x Width poles + couplers





## Add Blackout Sleeves

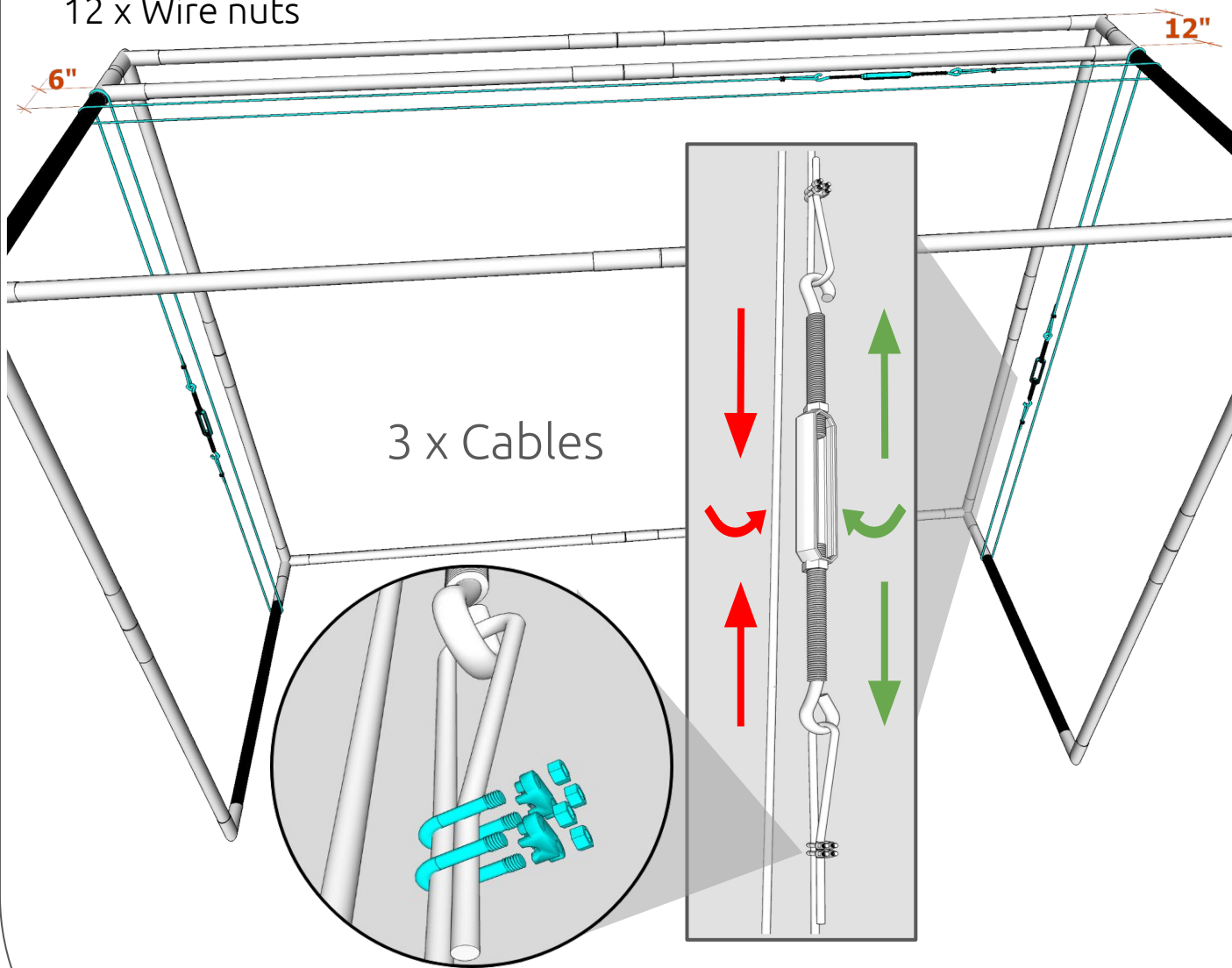
- 4x Blackout Velcro sleeves



# Install Cables

## Hardware:

- 3 x Nylon coated steel cable wire
- 3 x Turnbuckles
- 12 x Wire nuts



Loop 2 x SideRite cables around upper and lower depth poles 12" from back

Loop 1 x ShotDefender cable around upper depth poles 6" in front of screen pole.

## **CABLE ASSEMBLY\***

**Loosen** turnbuckles. Do not completely unscrew eyelets/hooks from turnbuckle.

Thread cable through eyelet end of turnbuckle and secure cable back onto itself using wire nuts.

Pull opposite end of cable over hook end of turnbuckle and secure cable back onto itself using clamps.

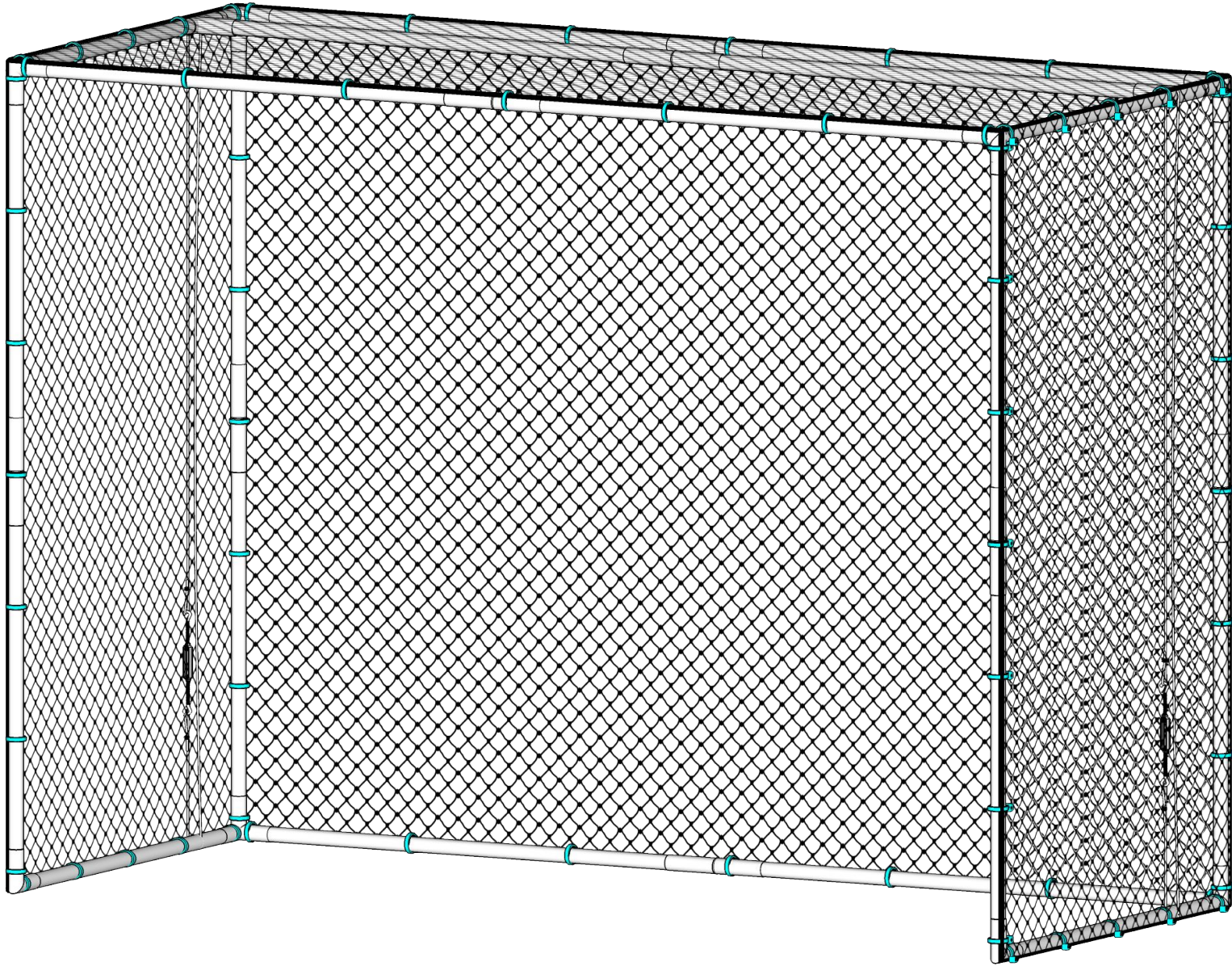
Turn turnbuckles to **tighten** cables and trim excess cable. Do not let cable twist while tightening turnbuckle.

\*See also the [SideRite™ & ShotDefender™ Cable Assembly Guide](#) for more detailed instructions on cable assembly



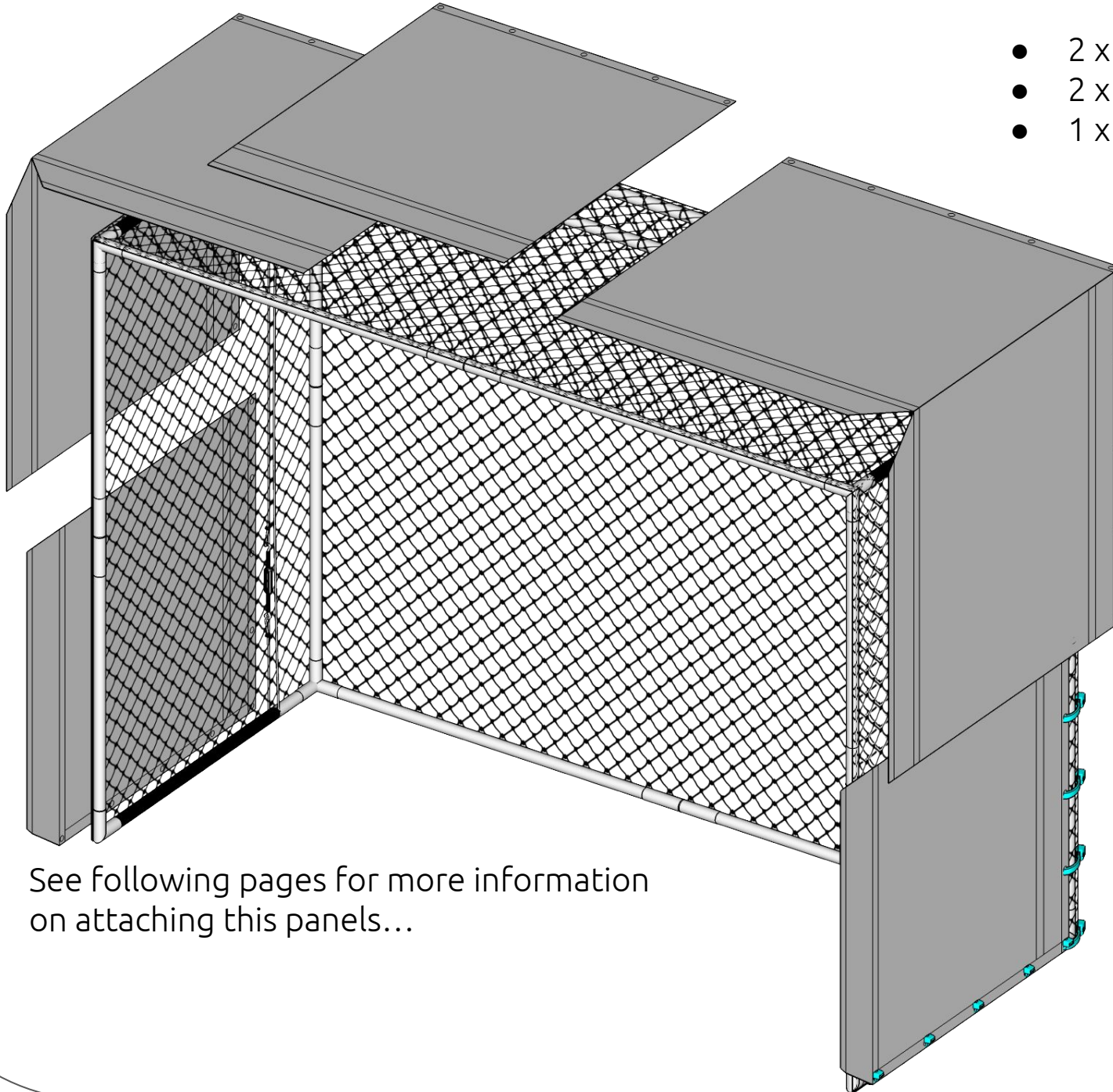
# Attach 1 x Interior Net

- Pull netting over cage.
- Secure with cable ties.



# Install Overlapping Blackout Panels

- 2 x Side Panels
- 2 x Corner Panels
- 1 x Top Center Panel

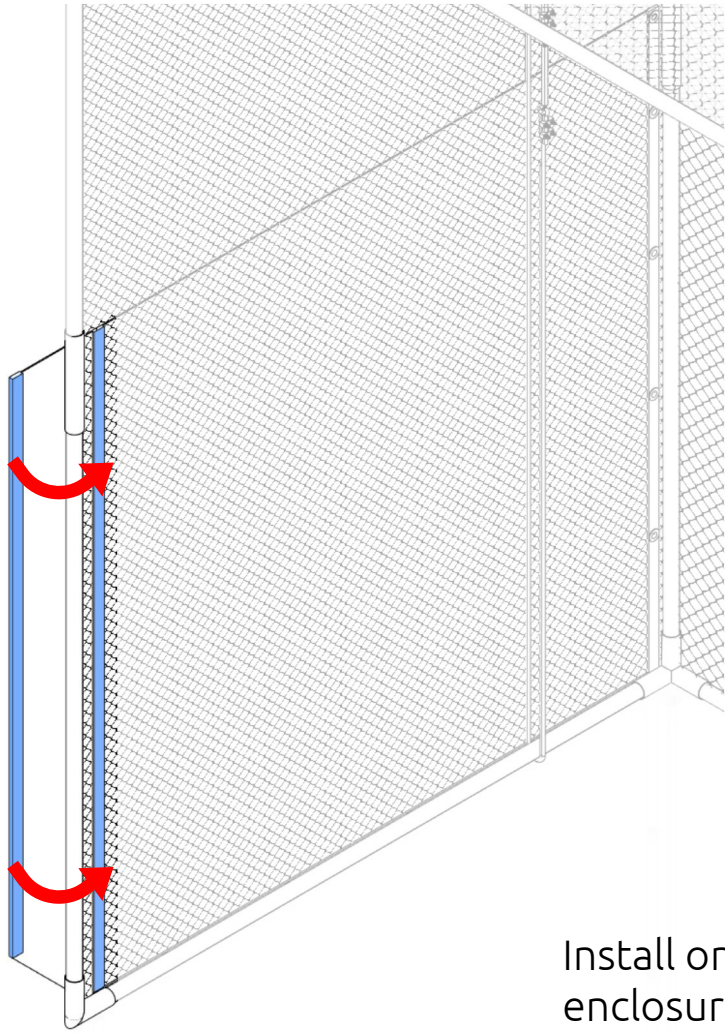


See following pages for more information  
on attaching this panels...

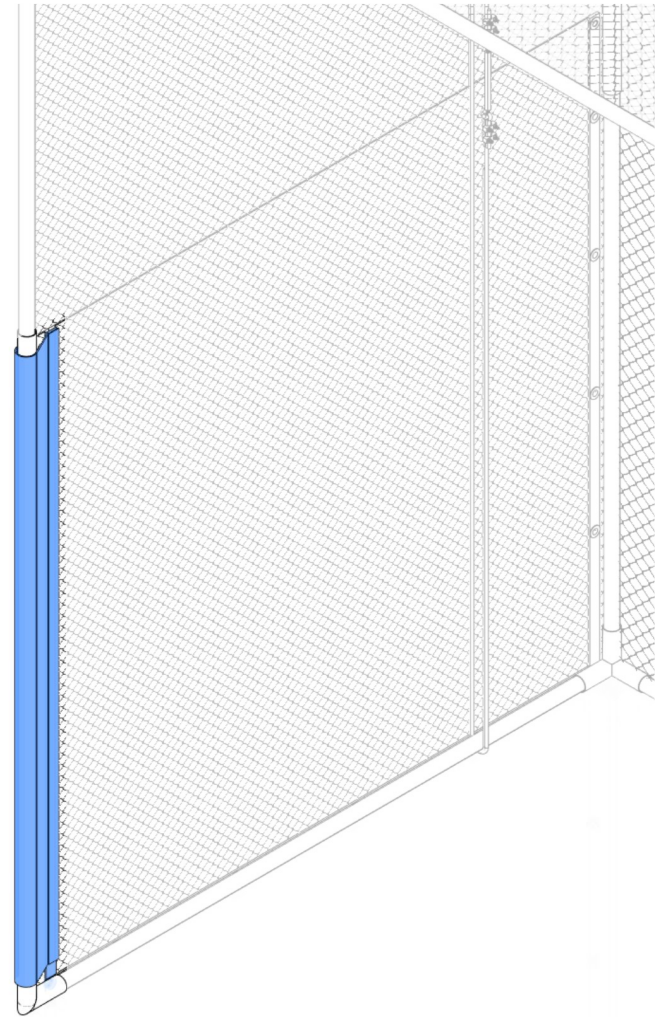


# Install Side Panels

Wrap side panels around front pole with bottom of panels flush with floor.

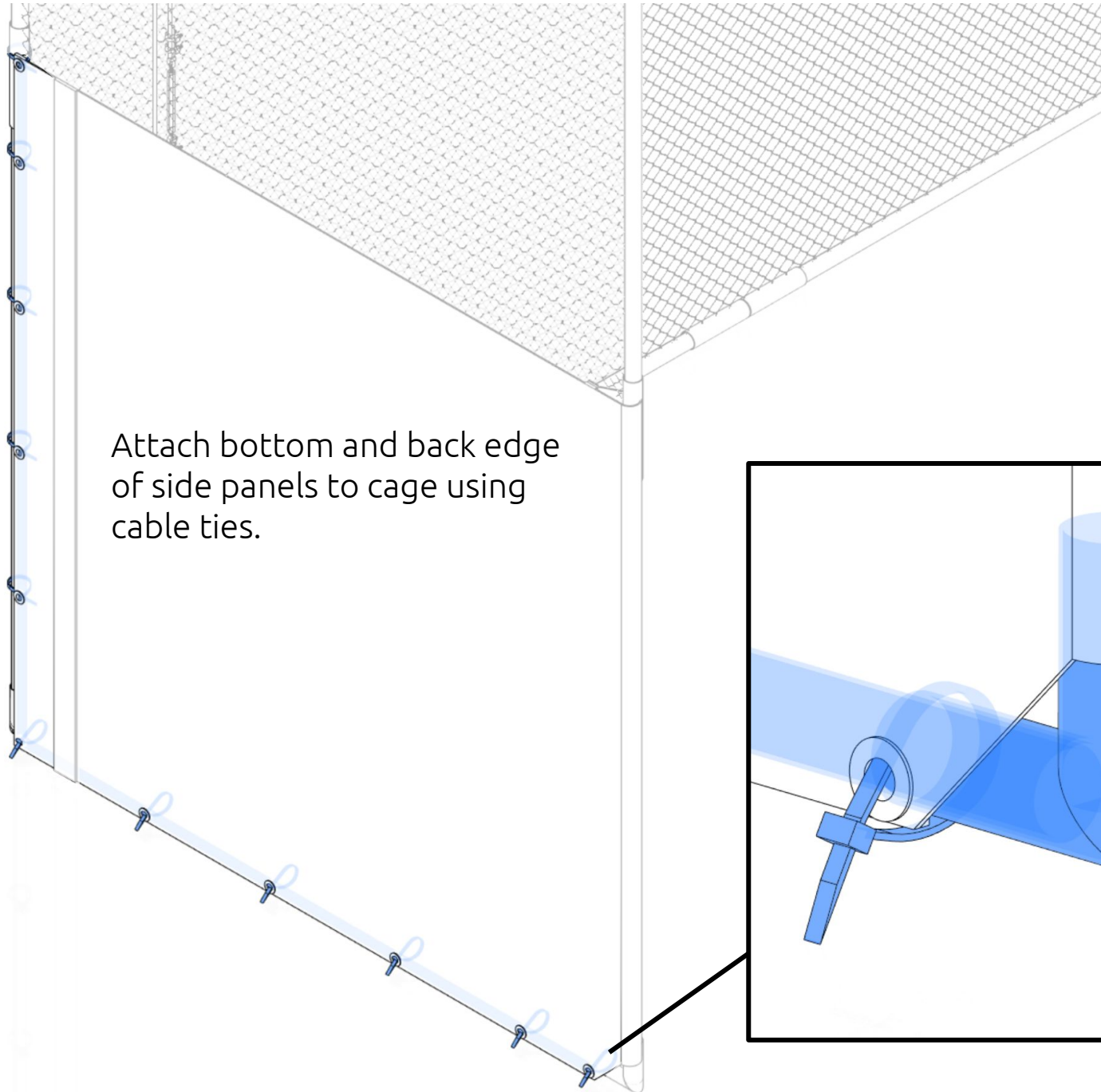


Side panel will velcro to inside of cage through the netting.



Install on left and right side of enclosure.

# Install Side Panels

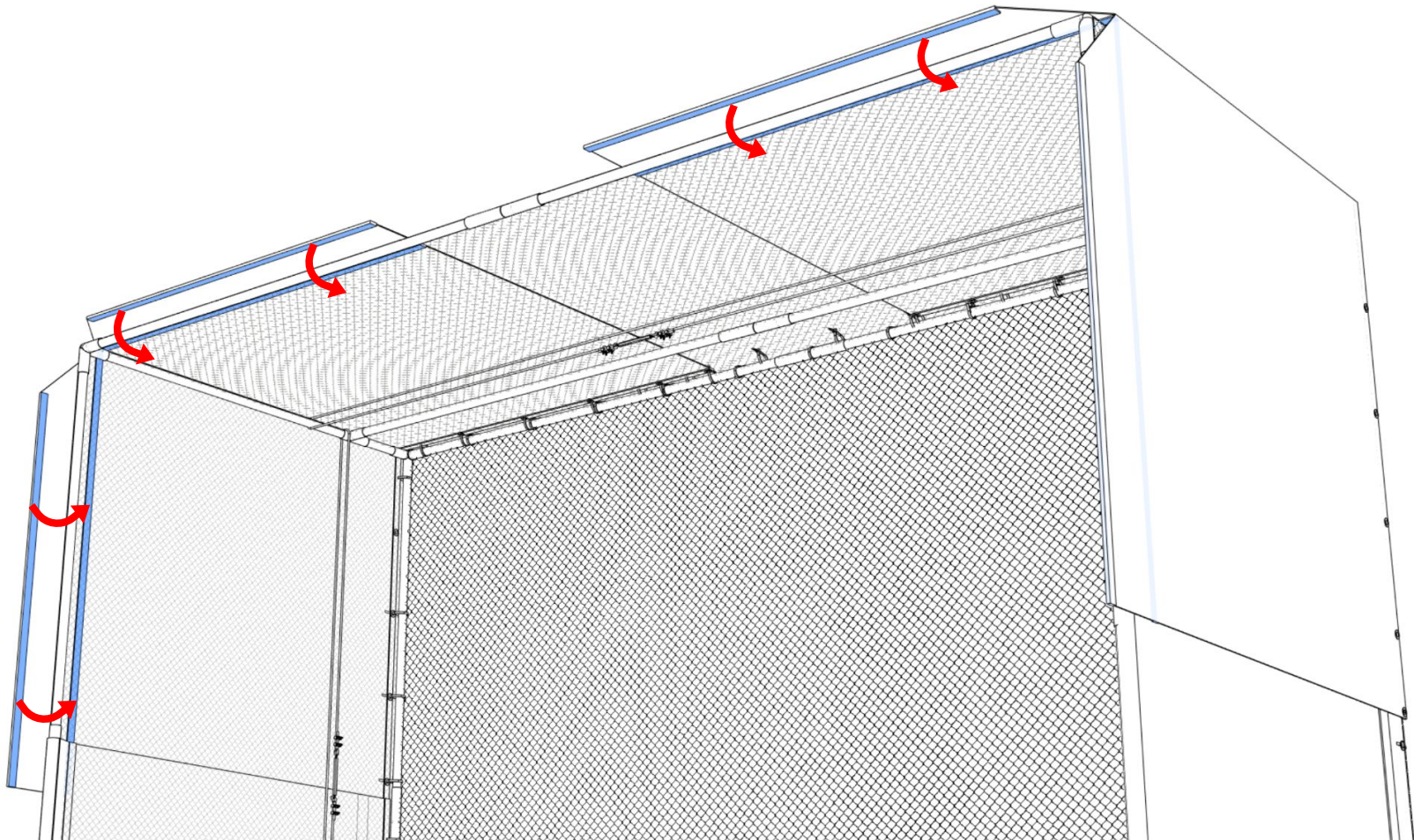




# Install Corner Panels

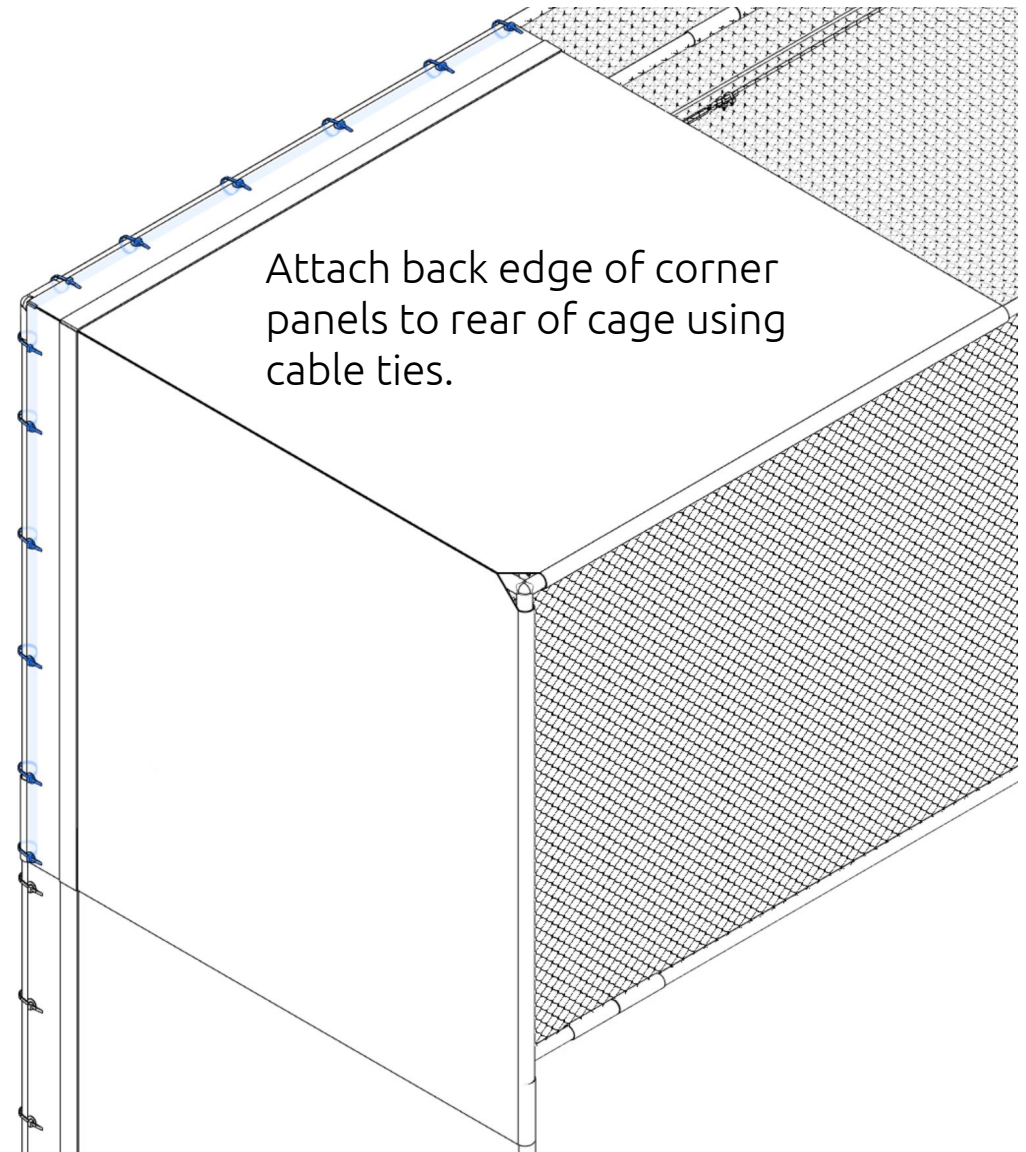
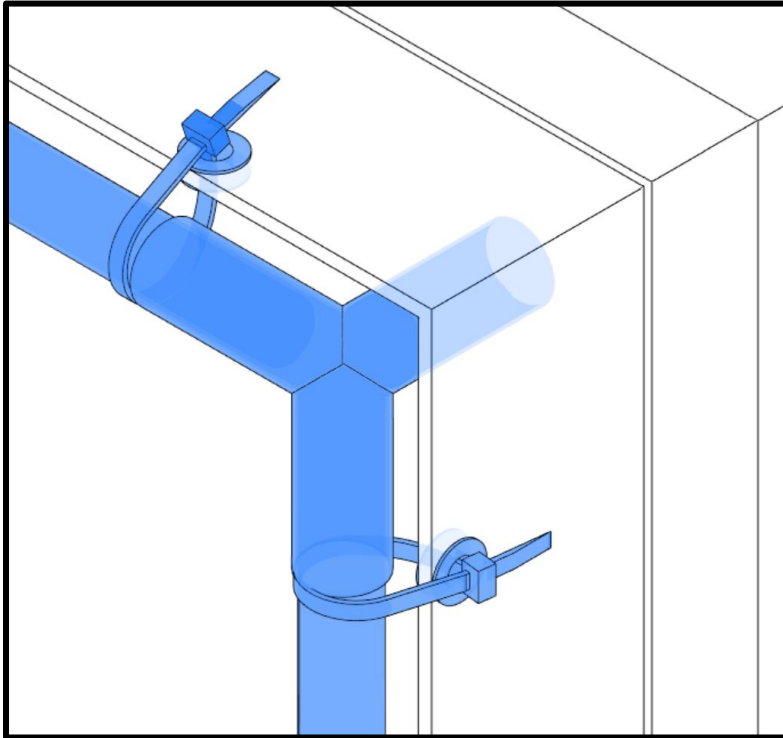
Wrap corner panels around front poles. Triangle cutout will go around front corner pole connector.

Corner panel will velcro to inside of cage through the netting.



Install on left and right corners of enclosure.

# Install Corner Panels

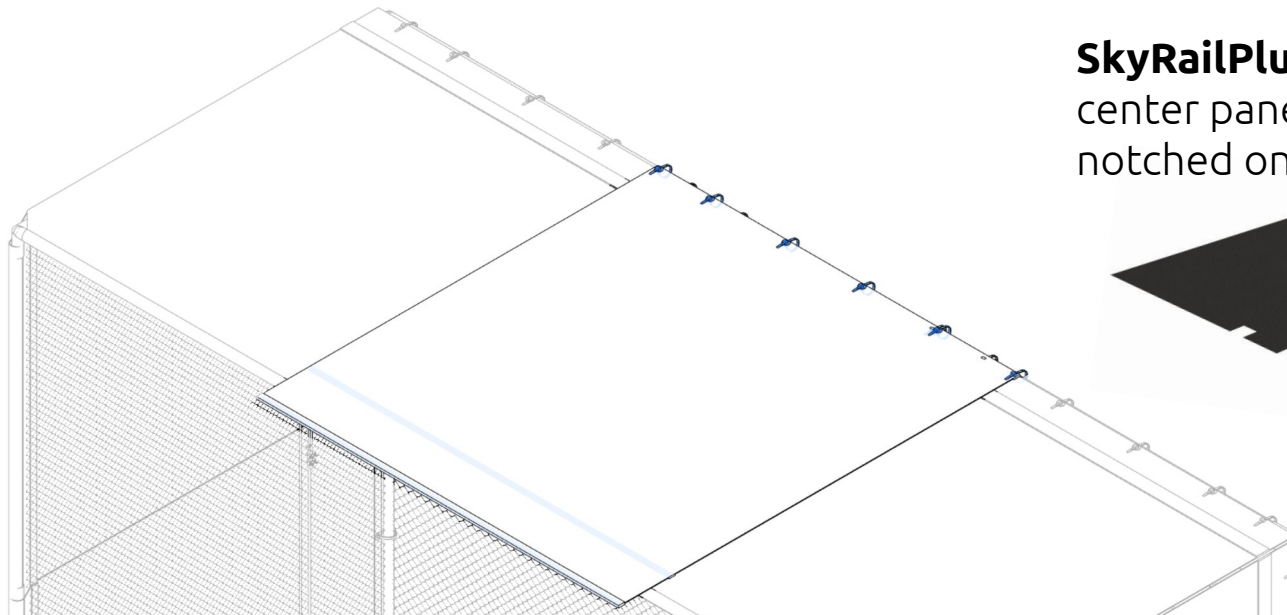
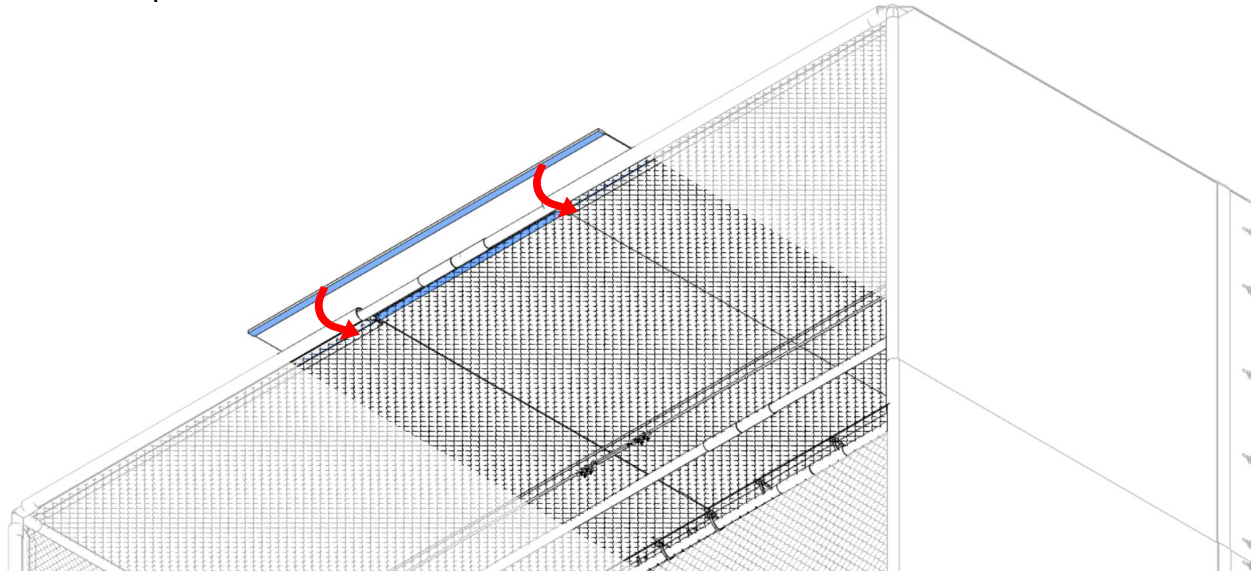




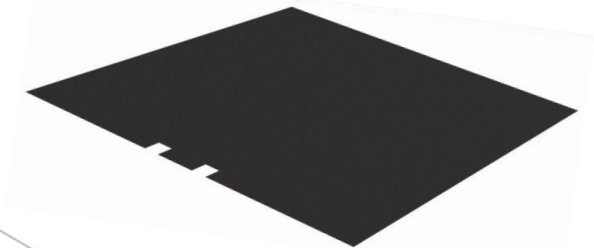
# Install Center Panels

Wrap center panel around front pole. Center panel will overlap left and right side corner panels.

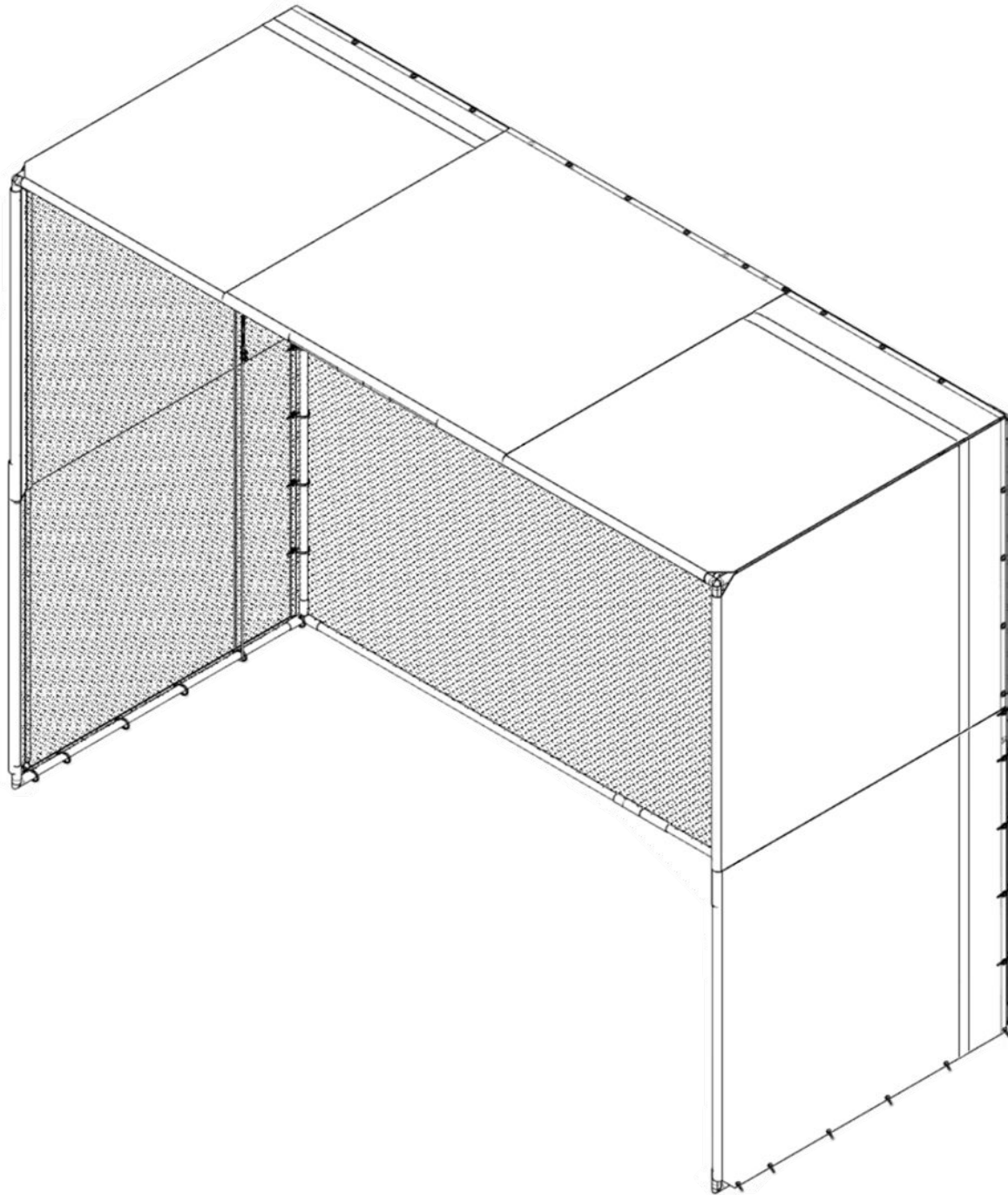
Center panel will velcro to inside of cage through the netting.



**SkyRailPlus Customers:**  
center panel will be  
notched on front edge.



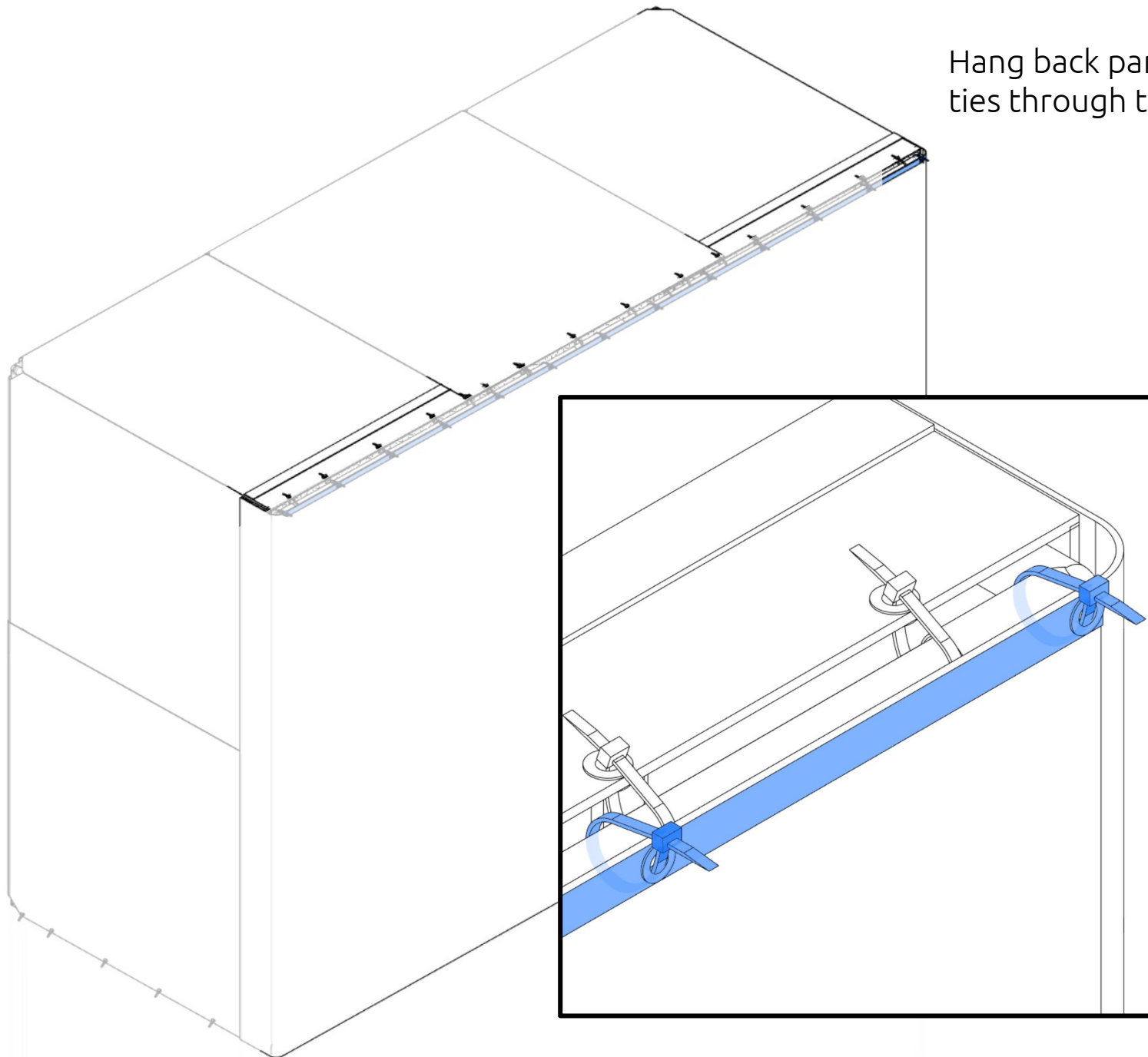
# Side, Corner, and Center Panels Installed





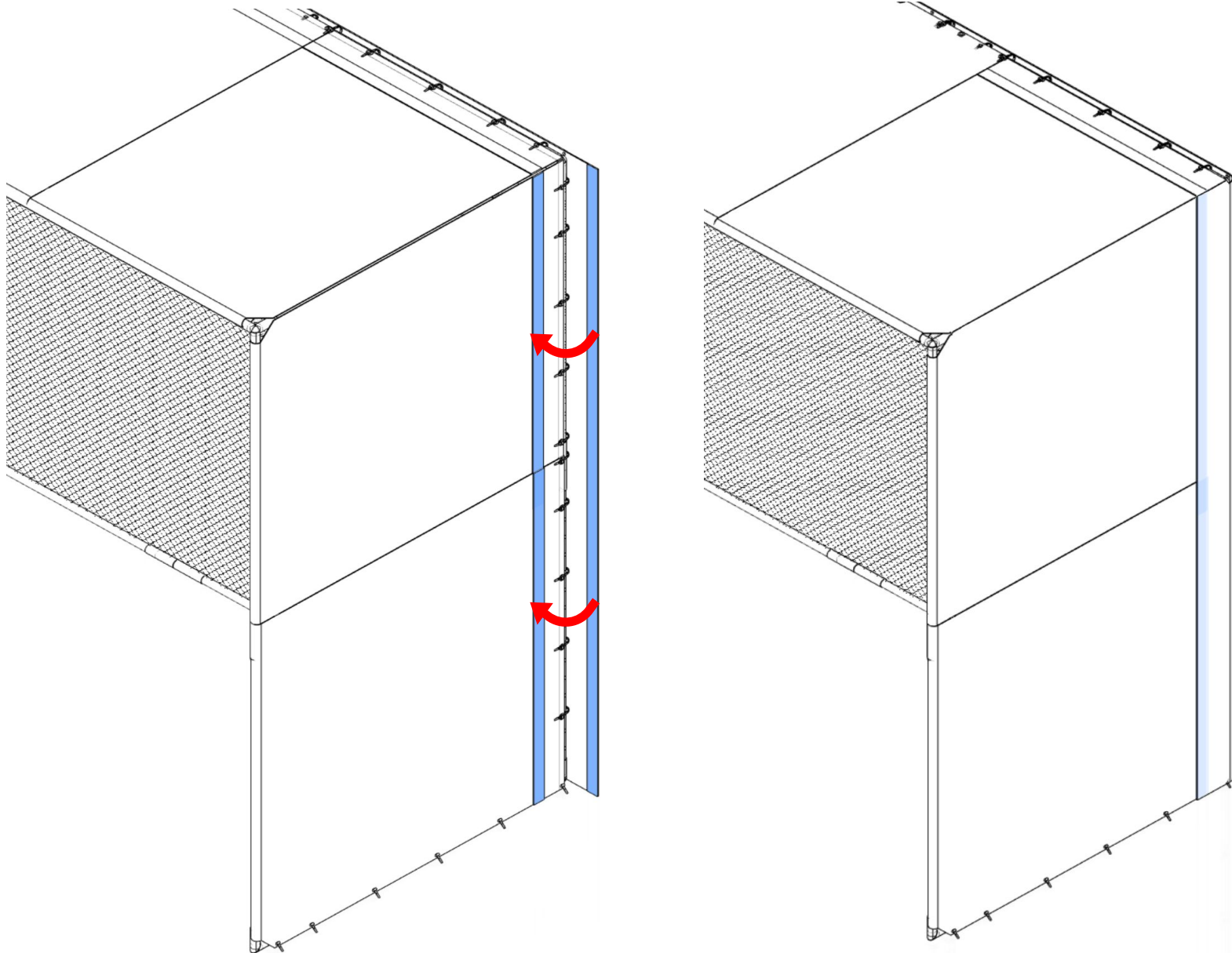
# Install Back Panel

Hang back panel using cable ties through top grommets



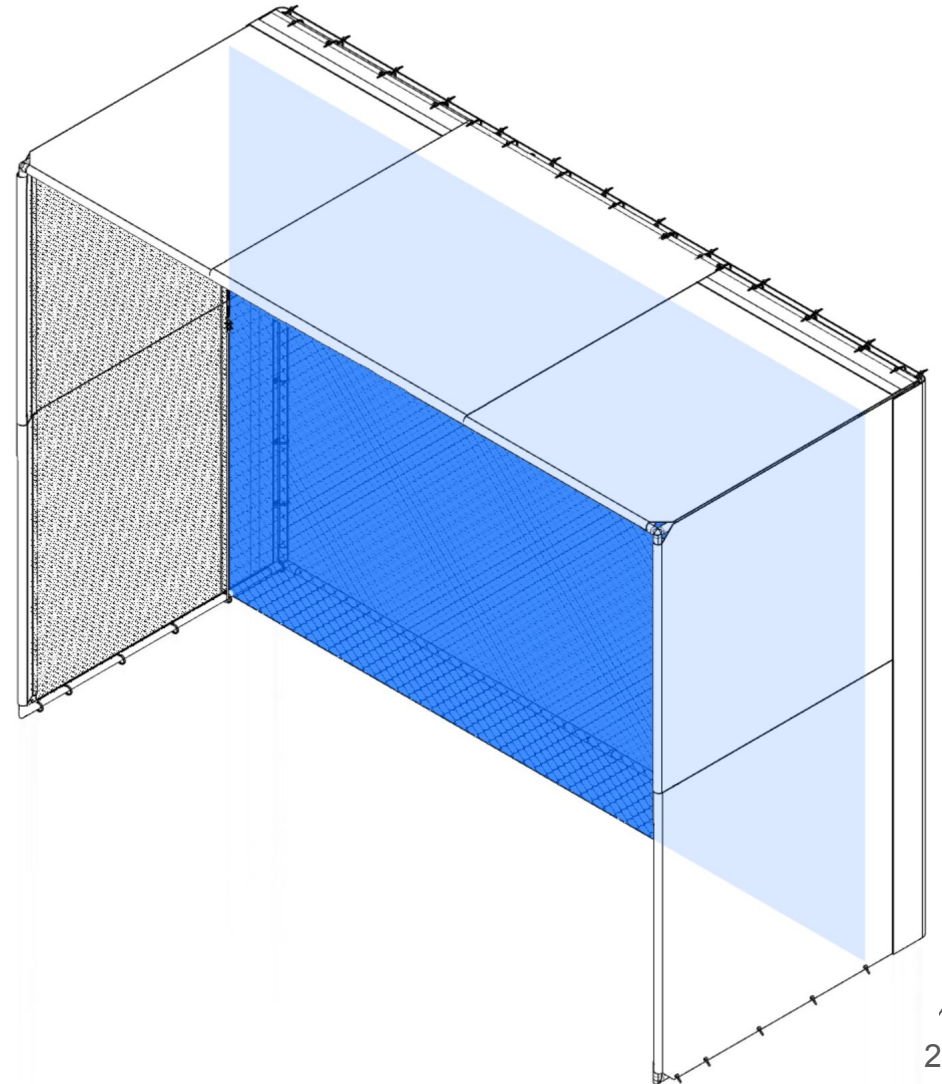
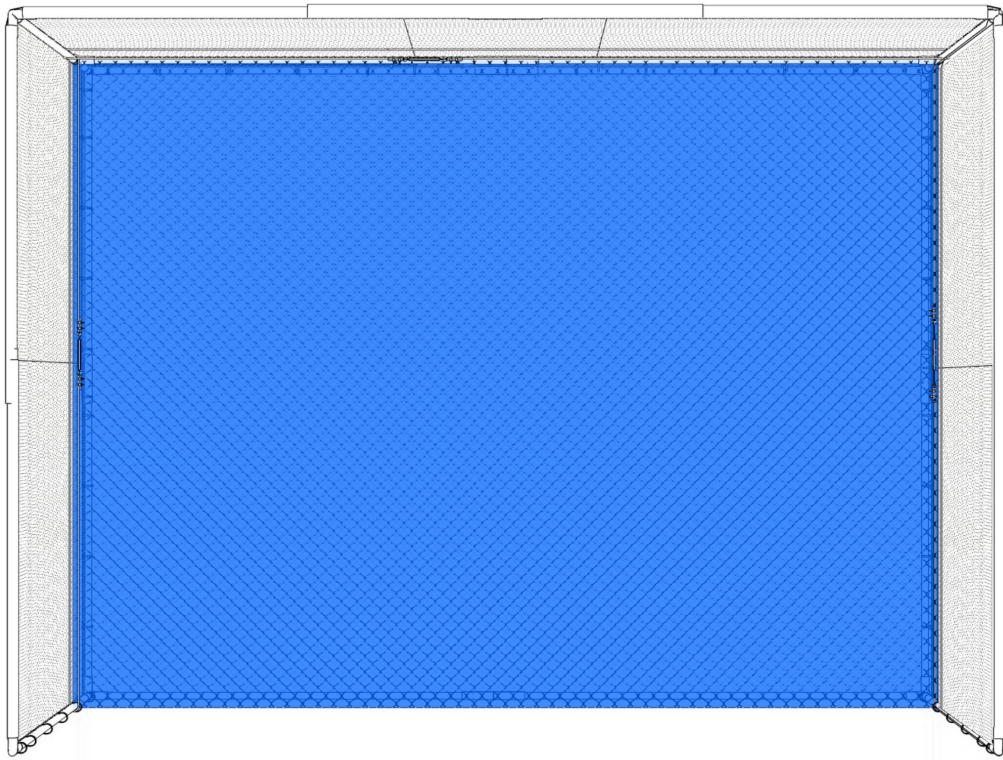
# Install Back Panel

Wrap back panel around both sides and velcro to side/corner panels.



# Install Baffle Net

Hang baffle net from screen pole using cable ties. Attach sides of baffle net to cage netting BEHIND your SideRite™ Cables.





# Hang the Screen

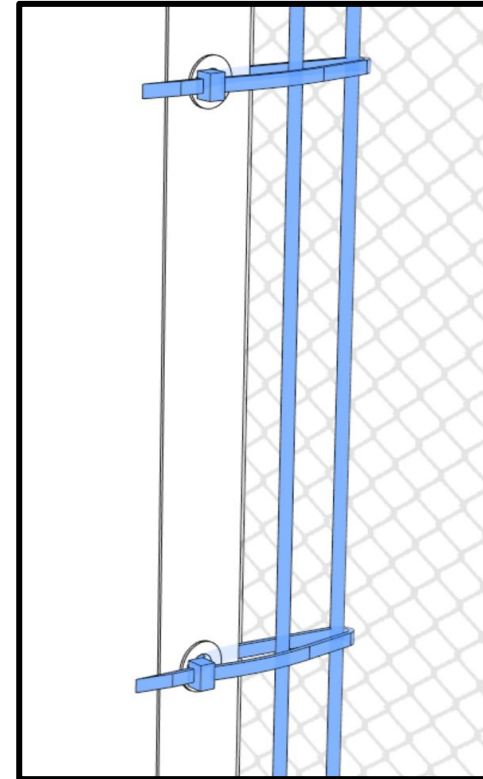
Using cable ties, loosely hang screen from screen pole. Do not tighten cable ties all the way.

Progressively adjust cable ties until screen hangs level and flush to floor.

Using cable ties, loosely attach sides of screen to SideRite™ Cables. Do not tighten cable ties all the way.

Progressively adjust cable ties to apply even side tensioning of screen.

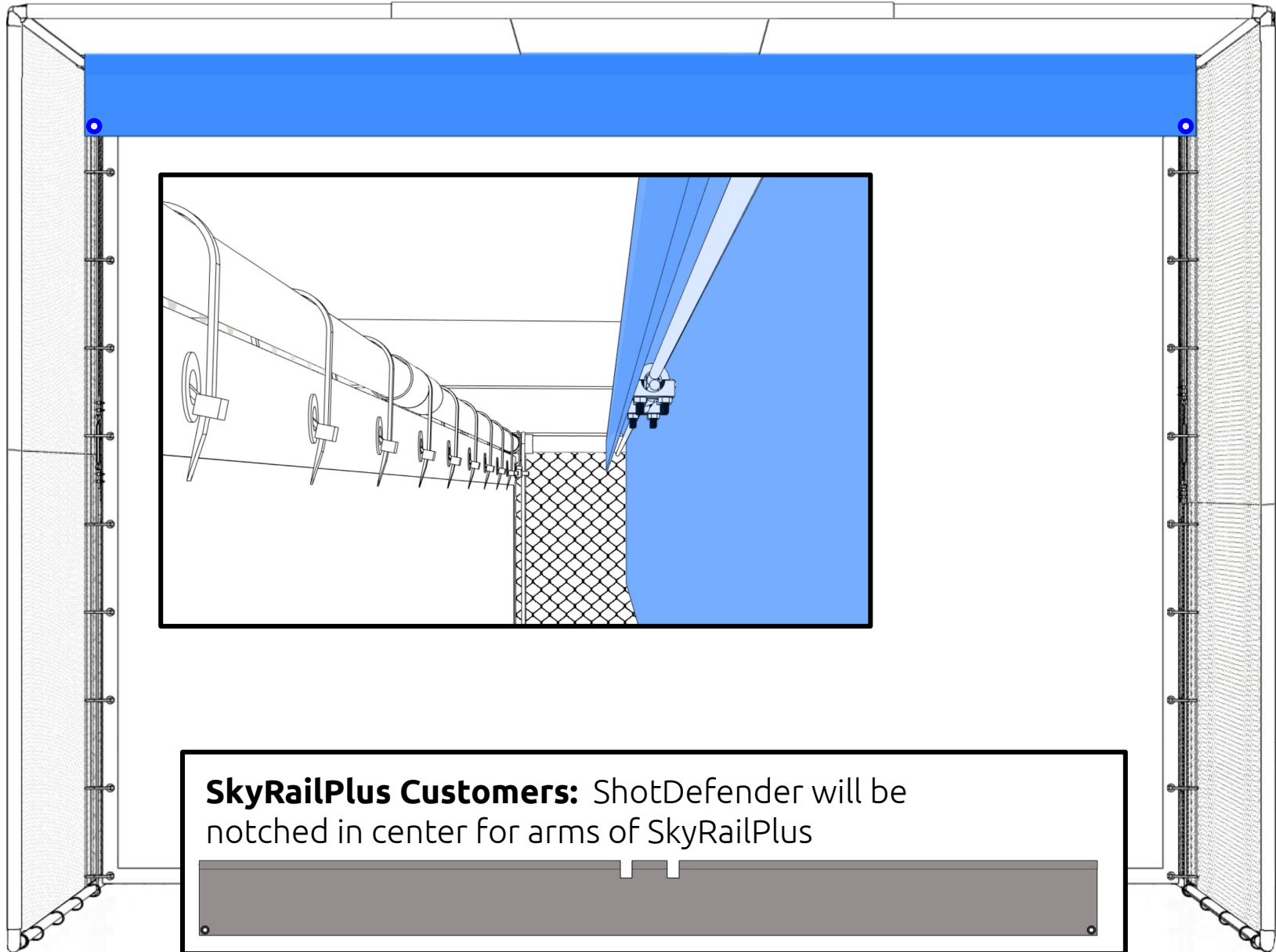
Tighten cable ties enough to flatten and smooth screen. Impact screen should NOT be over tensioned.



AllSportSystems logo is on bottom left corner of screen

# Install ShotDefender™

- Wrap ShotDefender™ safety valance around cable and velcro closed
- Using Cable ties attach valance through grommets to side cabling or netting.



# Your SuperBay™ is ready to go!

- See [setup guides](#) if you purchased SkyGuard or Triangle netting upgrades.

