

# SkyGuard™ & SkyGuardPlus™

## External Netting Installation Guide

AllSportSystems®

SkyGuard™ for [SuperBay](#), [DIY Bay](#),  
[StudioBay](#) begins [Page 3](#)

SkyGuard™ for [MicroBay](#) begins  
[Page 11](#)



# IMPORTANT WARNING

**USE THIS PRODUCT AT YOUR OWN RISK. NO CLAIM IS MADE AS TO ITS SAFETY, FITNESS, OR RELIABILITY FOR ANY PURPOSE. HITTING GOLF BALLS IN AN INDOOR ENVIRONMENT IS EXTREMELY DANGEROUS! ALWAYS EXERCISE CAUTION WHEN USING YOUR SYSTEM. WE RECOMMEND HITTING 'ALMOST GOLF' BALLS OR SIMILAR LIGHTWEIGHT GOLF BALLS FOR INCREASED SAFETY. NEVER SWING A GOLF CLUB IN CLOSE PROXIMITY TO PETS OR PEOPLE. ALWAYS STAND AS CLOSE AS POSSIBLE TO THE HITTING BAY TO MINIMIZE THE RISK OF STRAY SHOTS FLYING OUTSIDE THE ENCLOSURE. NEVER ALLOW ANYONE TO STAND IN FRONT OF YOU, OR ON EITHER SIDE OF THE ENCLOSURE WHILE YOU ARE HITTING!**

# SkyGuard™ Parts List **SuperBay, DIY Bay, StudioBay**

## Netting:

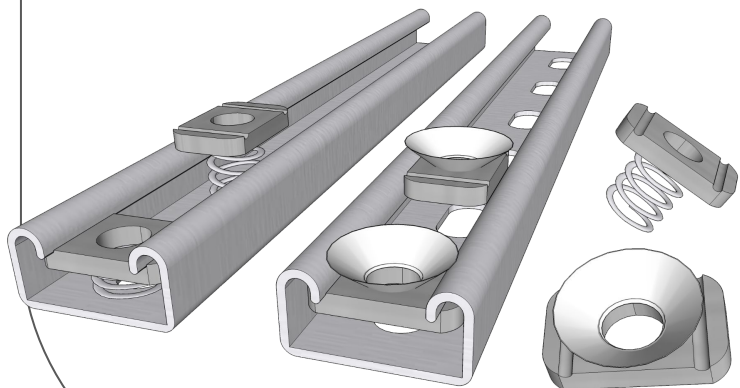
- 1 x Top net
- 2 x Side nets (SkyGuardPlus™ only)

## Fabric parts:

- 2 x blackout arm sleeves
- 2 x weight pockets (SkyGuardPlus™ only)

## Additional Hardware:

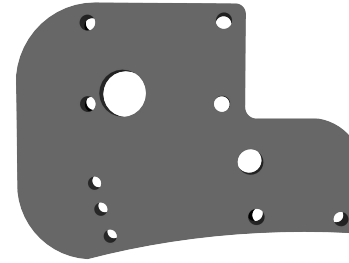
- 1 x additional misc. mounting hardware
- 1 x package of cable (zip) ties



Your hardware kit may include cone or spring style strut nuts. Both work similarly. **Press** nut into channel and **twist** to hold nut in place.

## Brackets

2 x SkyGuard Brackets



- 6 x U-bolts & nuts

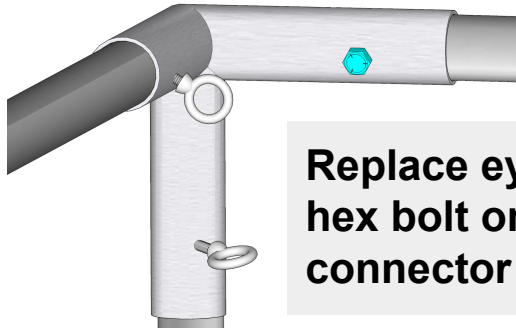


- 2 x 5ft Strut

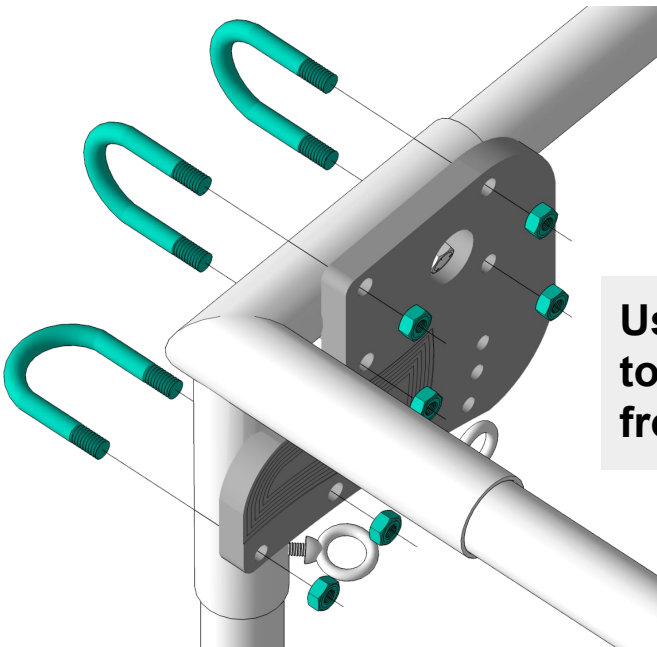
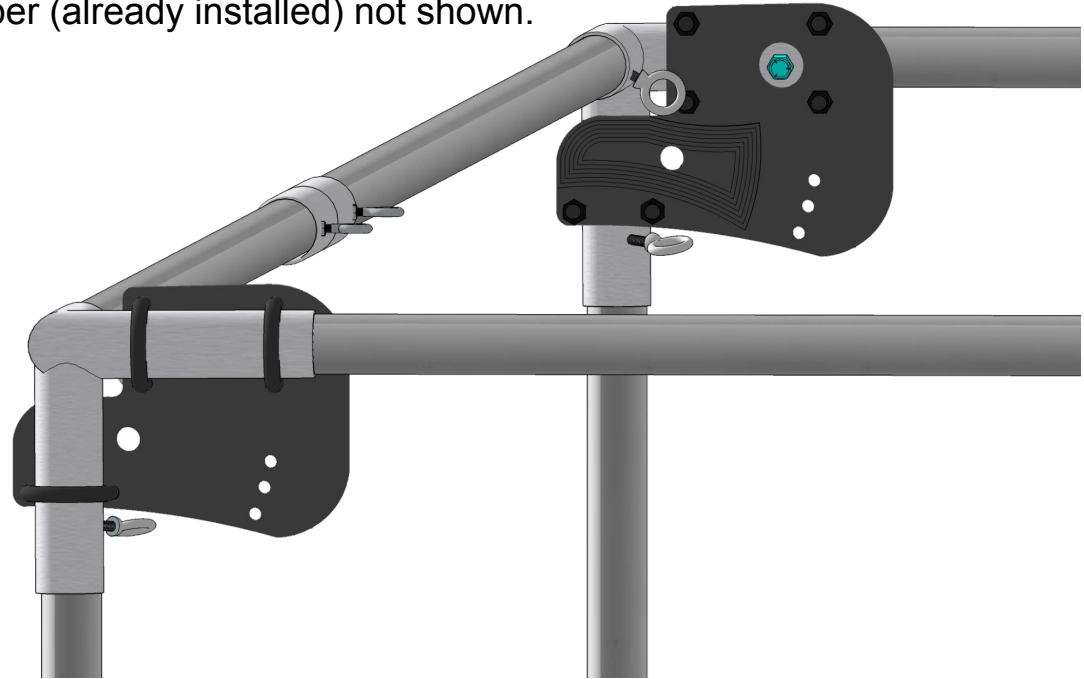


# Install SkyGuard™ Brackets for SuperBay, DIY Bay, StudioBay

For clarity blackout wrapper (already installed) not shown.

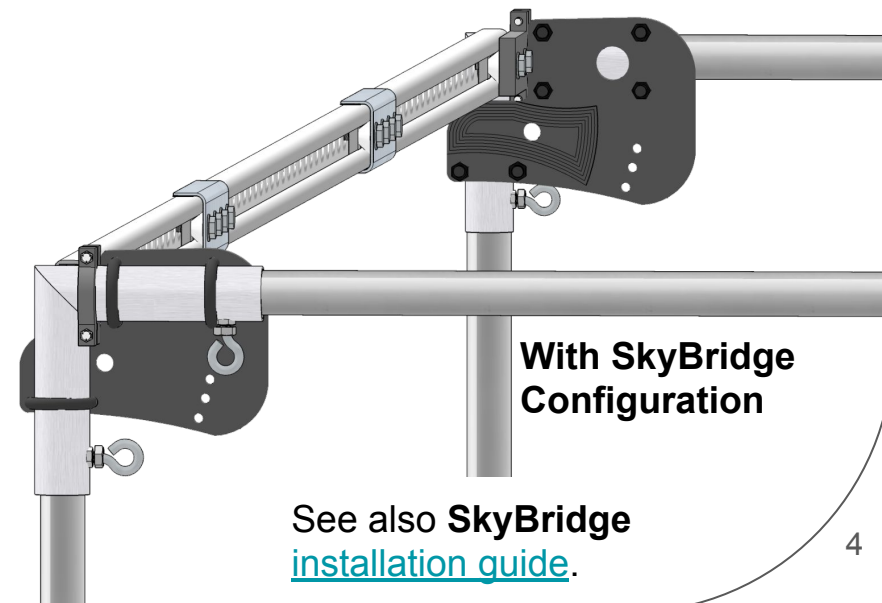


Replace eye-bolt with  
hex bolt on 3-Way  
connector



Use U-bolts and nuts  
to attach brackets to  
front of enclosure

Nuts should be snug and secure,  
without over tightening that causes  
the bracket to bend.



With SkyBridge  
Configuration

See also [SkyBridge  
installation guide.](#)



# Attach Strut Arms to Brackets for **SuperBay, DIY Bay, StudioBay**

For clarity blackout wrapper (already installed) not shown.

**Insert Strut Nuts**

**1/2" nut**

**1/4" nut**

*Spaced 3.5" approx.*

**Strut Arms attach to  
INSIDE of brackets**

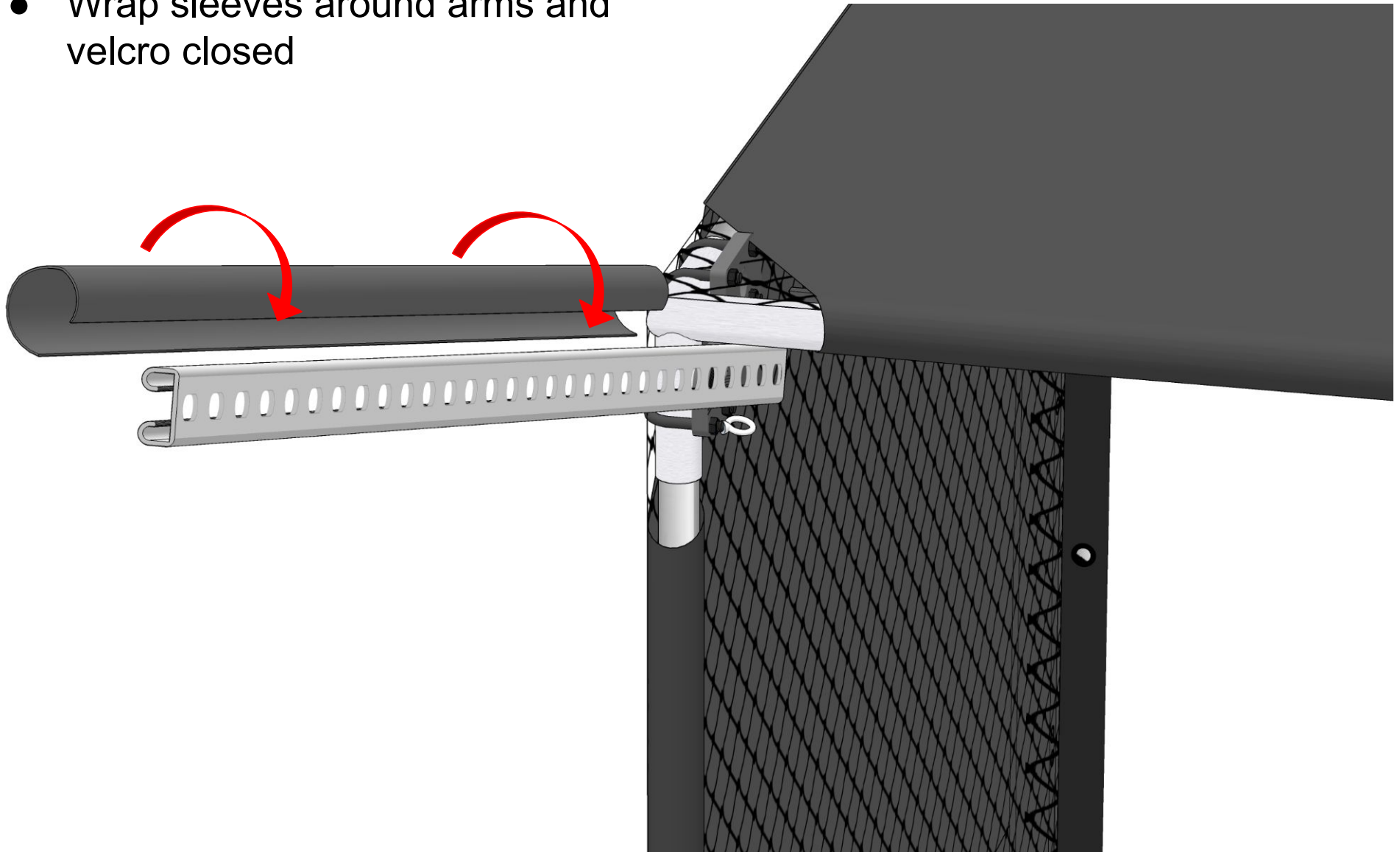
**Use 1/2" bolt and 1/4" bolt to  
attach arm to bracket**

**3 height positions**

# Wrap Strut Arms

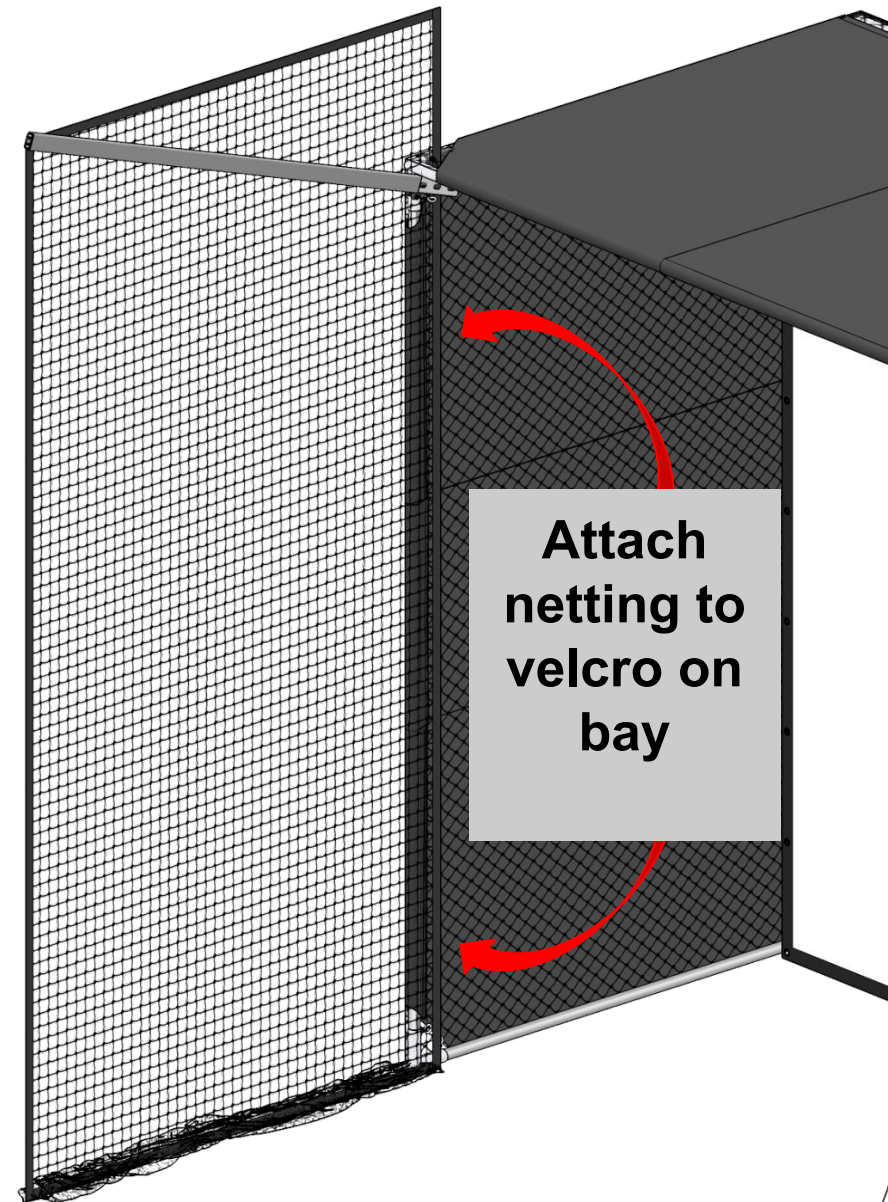
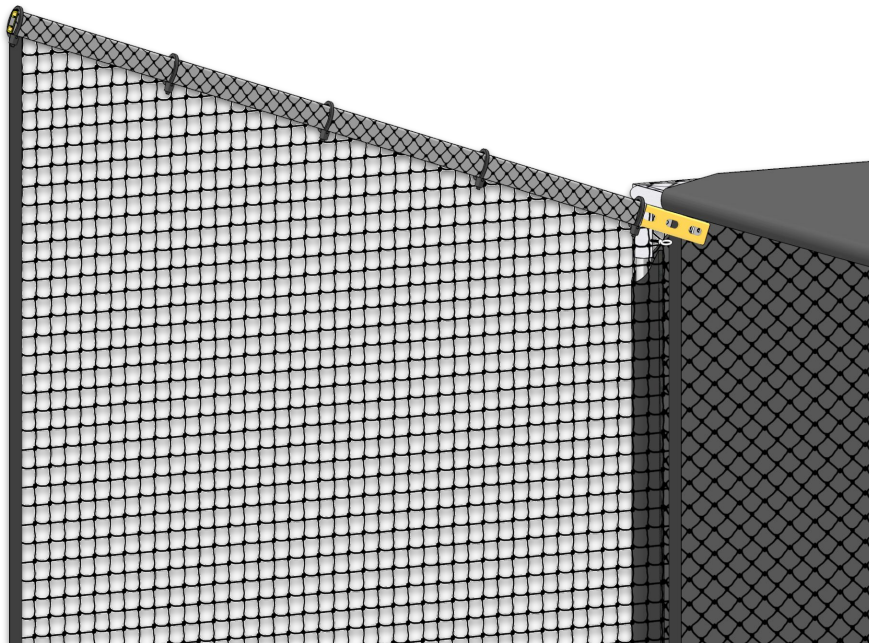
## 2 X Blackout Arm Sleeves

- Wrap sleeves around arms and velcro closed



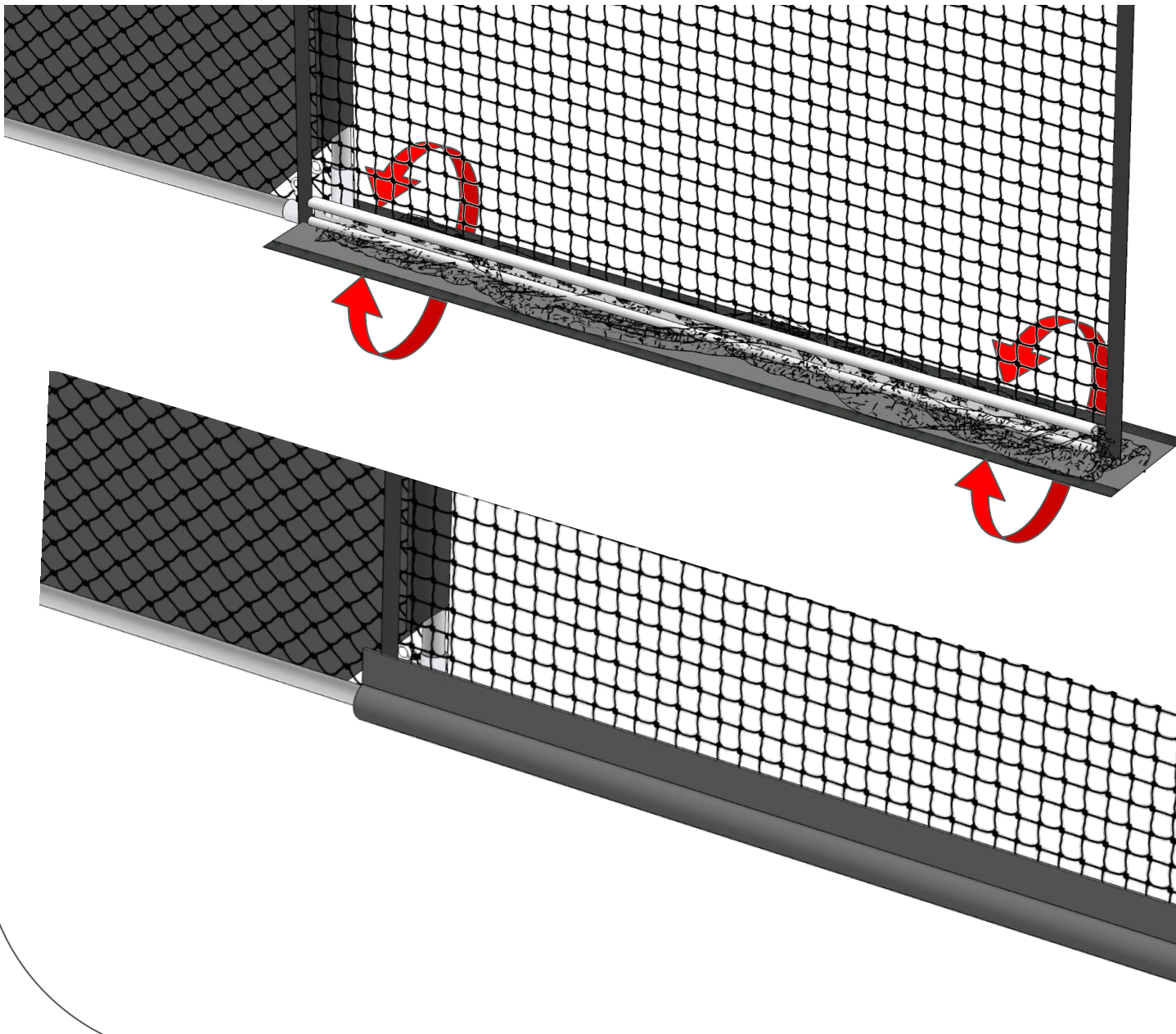
# Attach Side Nets (**SkyGuardPlus™** only)

- Position SkyGuard Strut Arms at the desired angle.
- Extend netting to the highest point of arm while keeping netting horizontal to floor.
  - You will likely have extra netting on floor.
- Align and attach to velcro on bay while using zip ties to attach netting to strut arms.
- If you ordered angled side nets, see [setup guides](#) for those specific installation instructions.



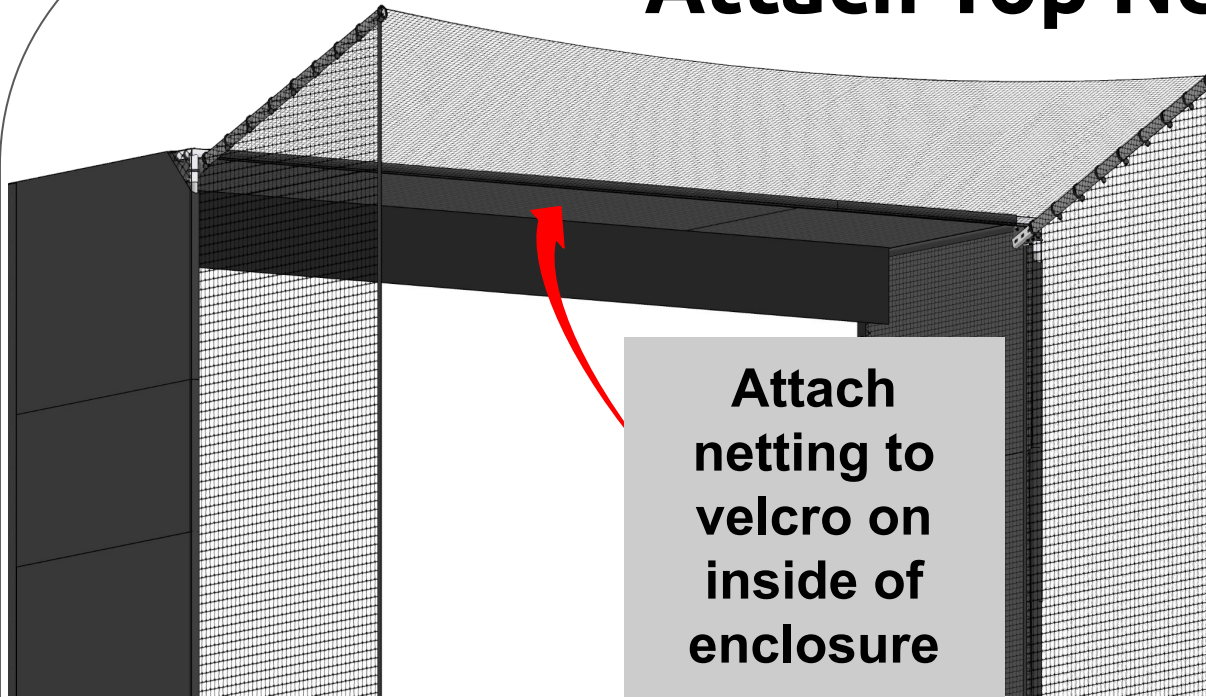


# Attach Weight Pockets to side nets (**SkyGuardPlus™** only)



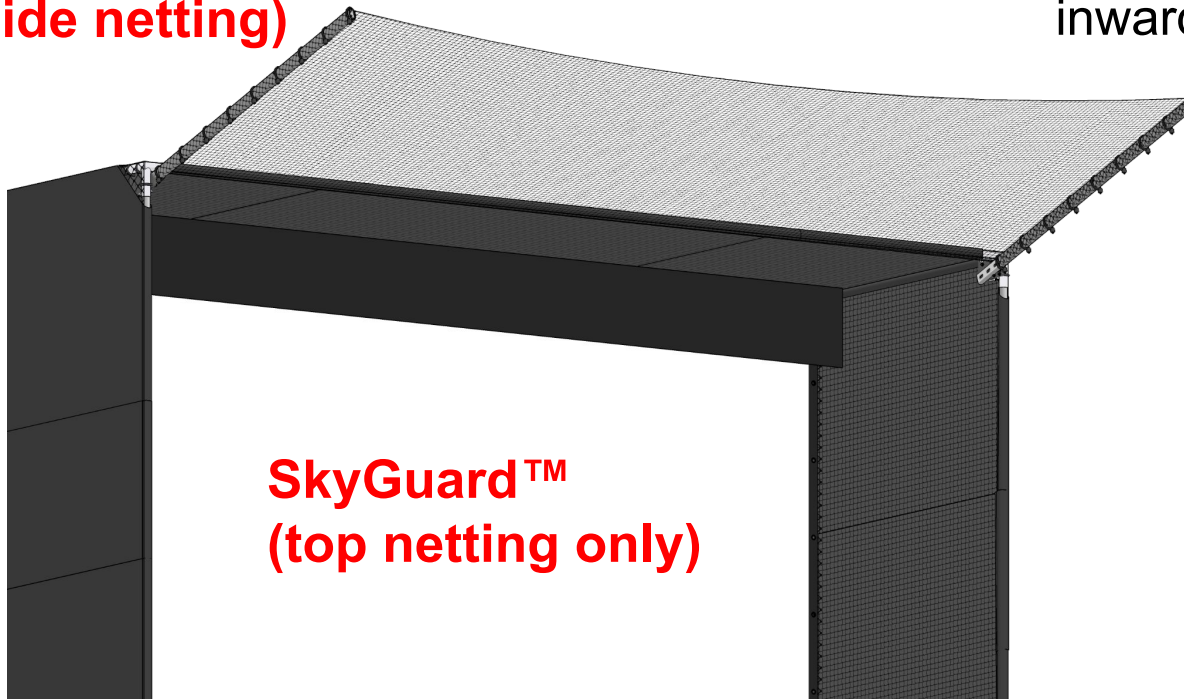
- Place extra netting and heavy object (not included) such as a piece of strut channel, EMT pipe or chain in weight pockets and velcro closed through netting.

# Attach Top Netting



Attach  
netting to  
velcro on  
inside of  
enclosure

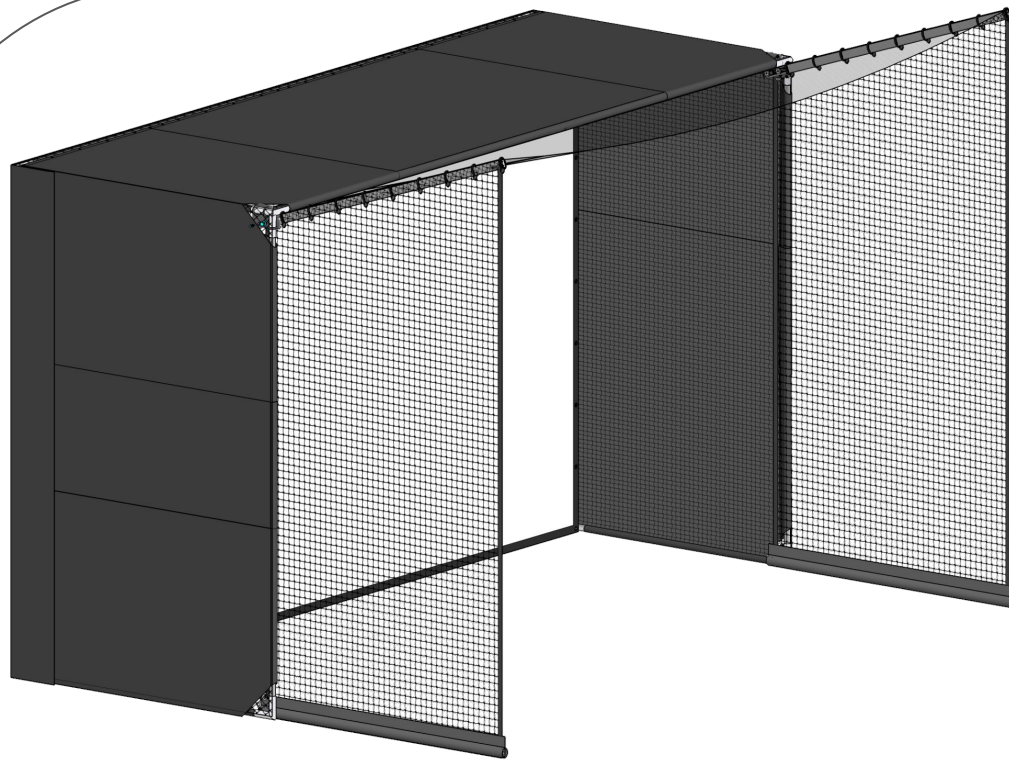
**SkyGuardPLUS™**  
(top and side netting)



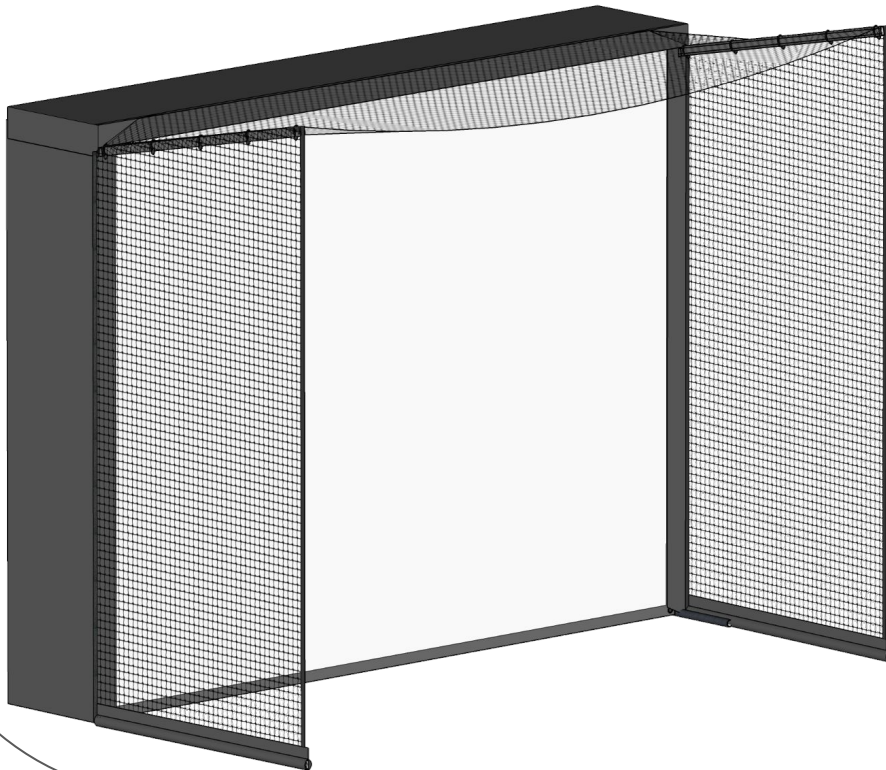
**SkyGuard™**  
(top netting only)

- Align and attach net to velcro on bay while using zip ties to attach netting to strut arms.
- Netting should be snug but not overly tight.
- Stretching the net too tightly will cause arms to overly bend inward.





**SuperBay, DIY Bay,  
StudioBay instruction  
begins [Page 3](#)**



**MicroBay instruction  
begins [Page 11](#)**



# SkyGuard™ Parts List **MicroBay**

## Netting:

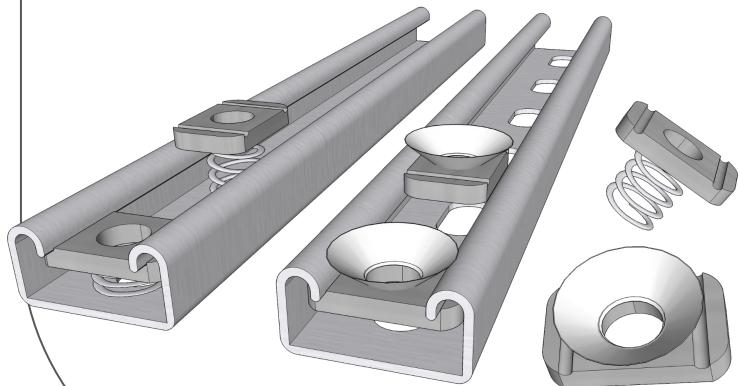
- 1 x Top net
- 2 x Side nets (SkyGuardPlus only)

## Fabric parts:

- 2 x blackout arm sleeves
- 2 x weight pockets (SkyGuardPlus only)

## Additional Hardware:

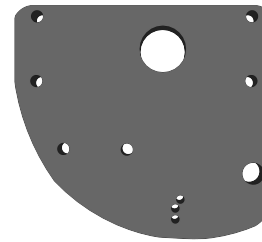
- 1 x additional misc. mounting hardware
- 1 x package of cable (zip) ties



Your hardware kit may include cone or spring style strut nuts. Both work similarly. **Press** nut into channel and **twist** to hold nut in place.

## Brackets

2 x SkyGuard Brackets



- 6 x U-bolts & nuts



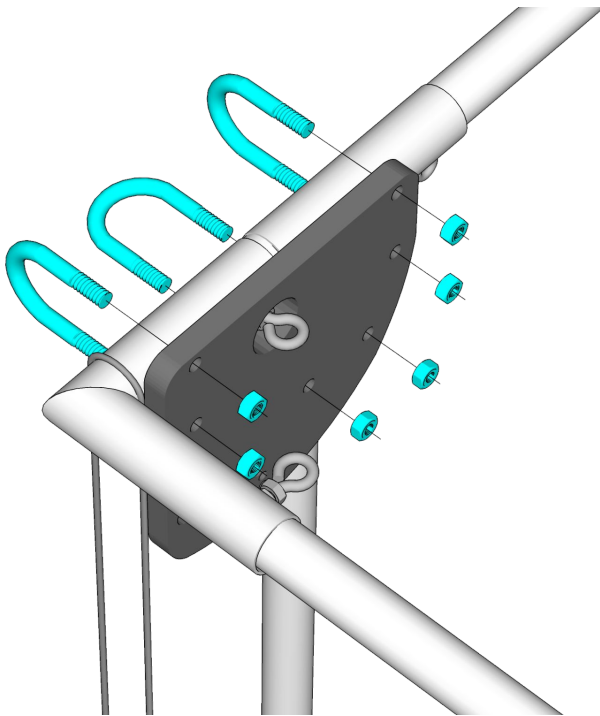
- 2 x 5ft Strut



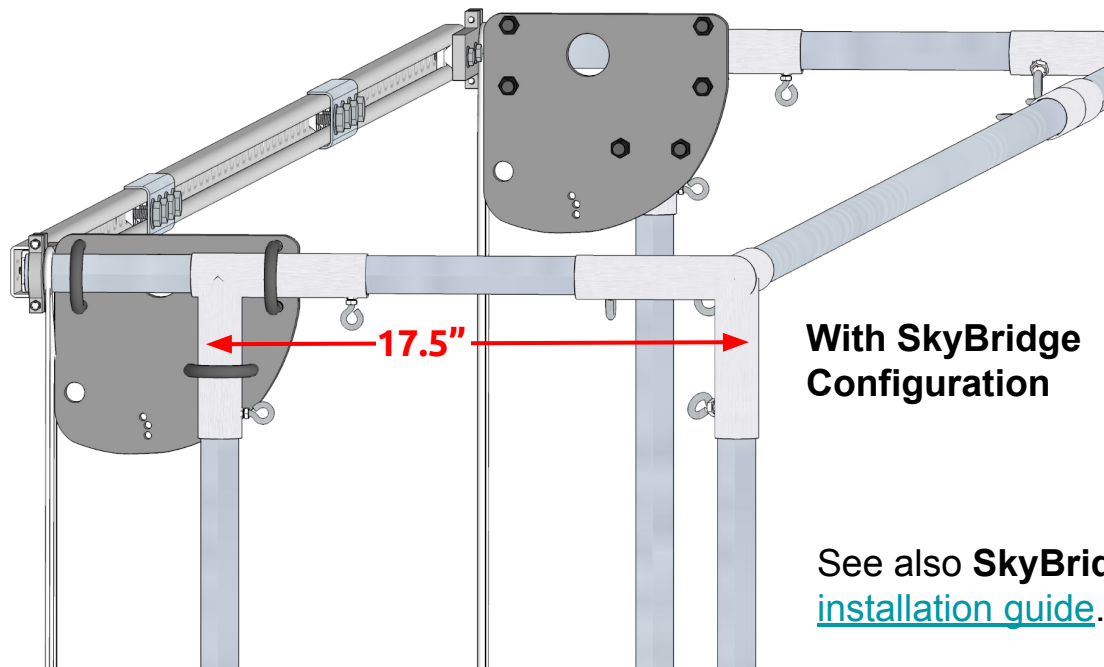
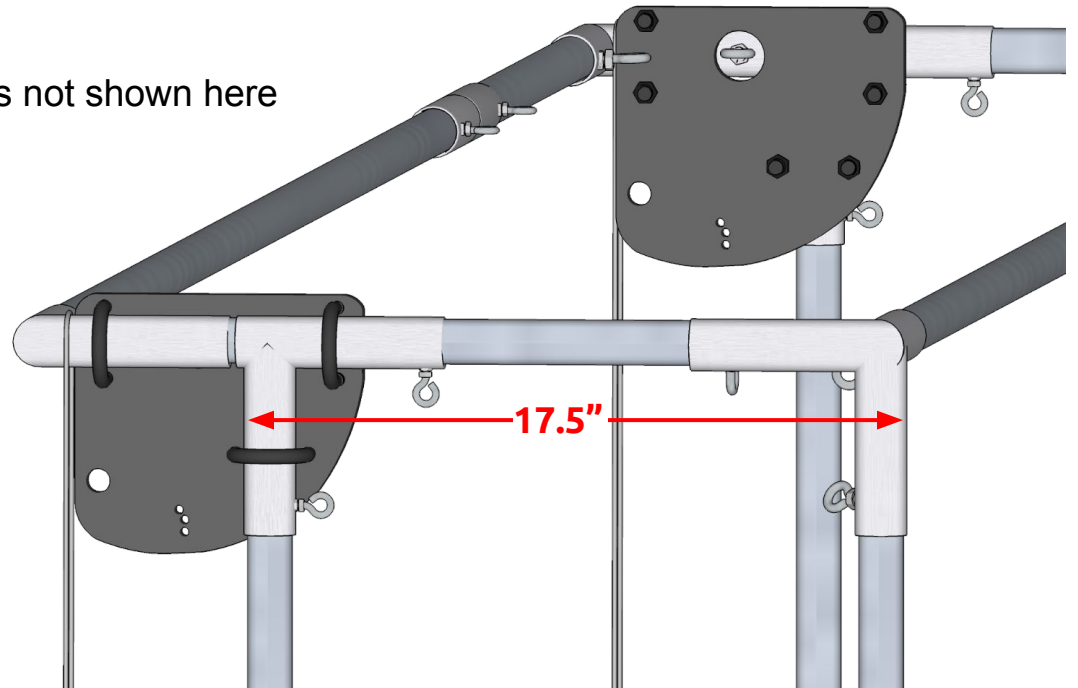
# Install SkyGuard™ Brackets for **Microbay**

For simplicity blackout wrapper, already installed, is not shown here

Use U-bolts and nuts to attach brackets to enclosure on each side



Do not overtighten. Nuts should be snug and secure, without bending the bracket.



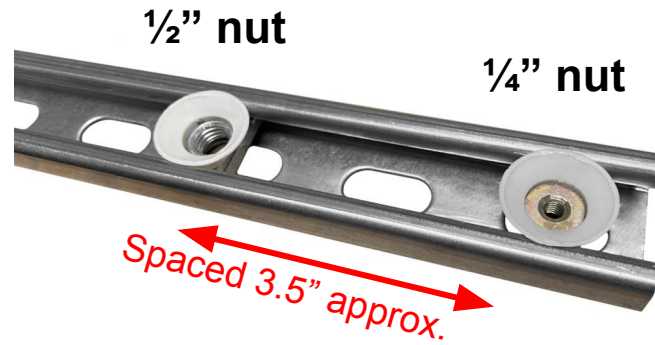
With SkyBridge Configuration

See also [SkyBridge installation guide](#).

# Attach Strut Arms to Brackets for **MicroBay**

For simplicity blackout wrapper, already installed, is not shown here

**Insert Strut Nuts**



**Use 1/2" bolt and 1/4" bolt to attach arm to bracket**

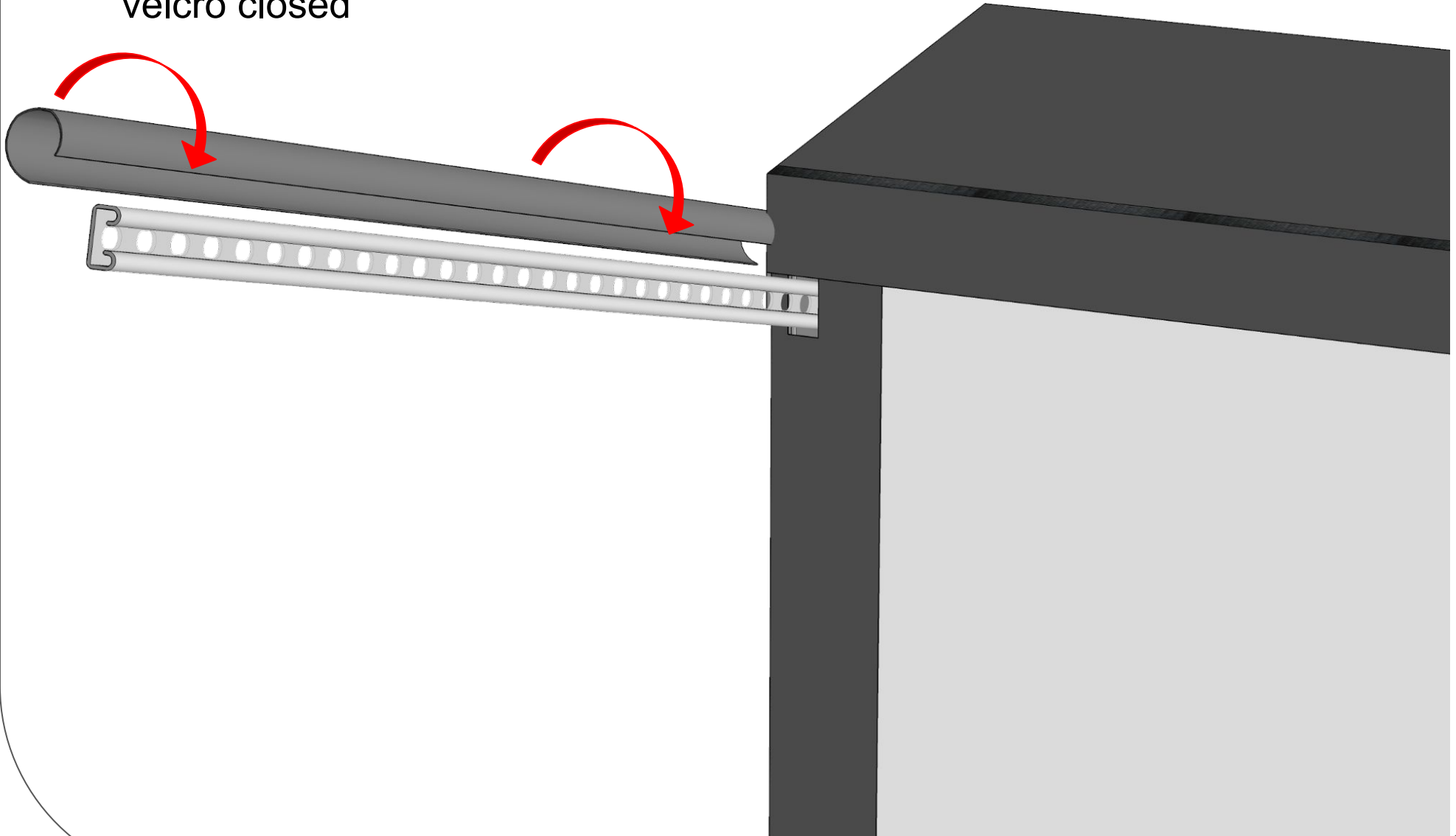
**Arms attach to OUTSIDE of brackets**

**3 height positions**

# Wrap Strut Arms

2 X Blackout Arm Sleeves

- Wrap sleeves around arms and velcro closed

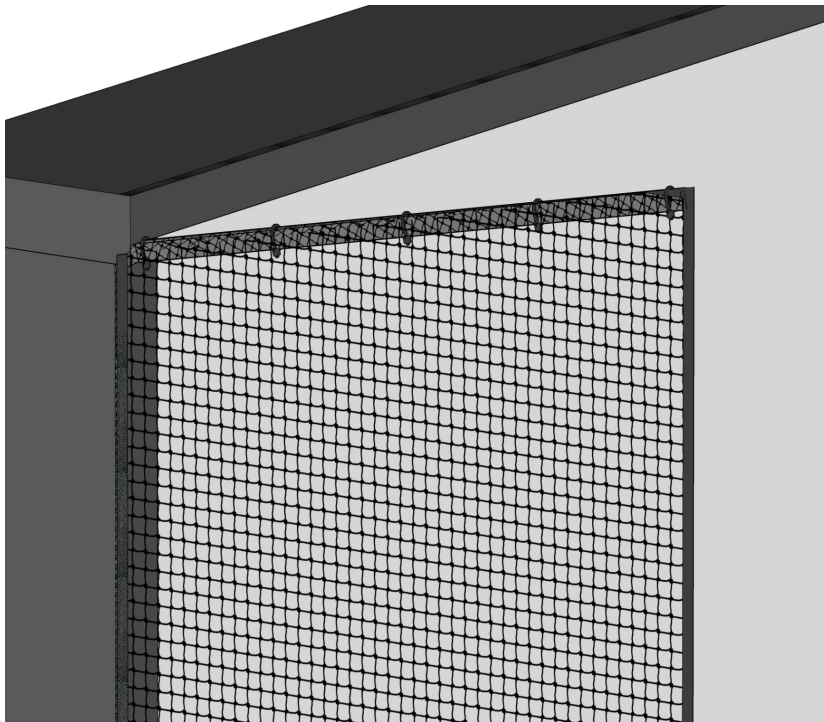




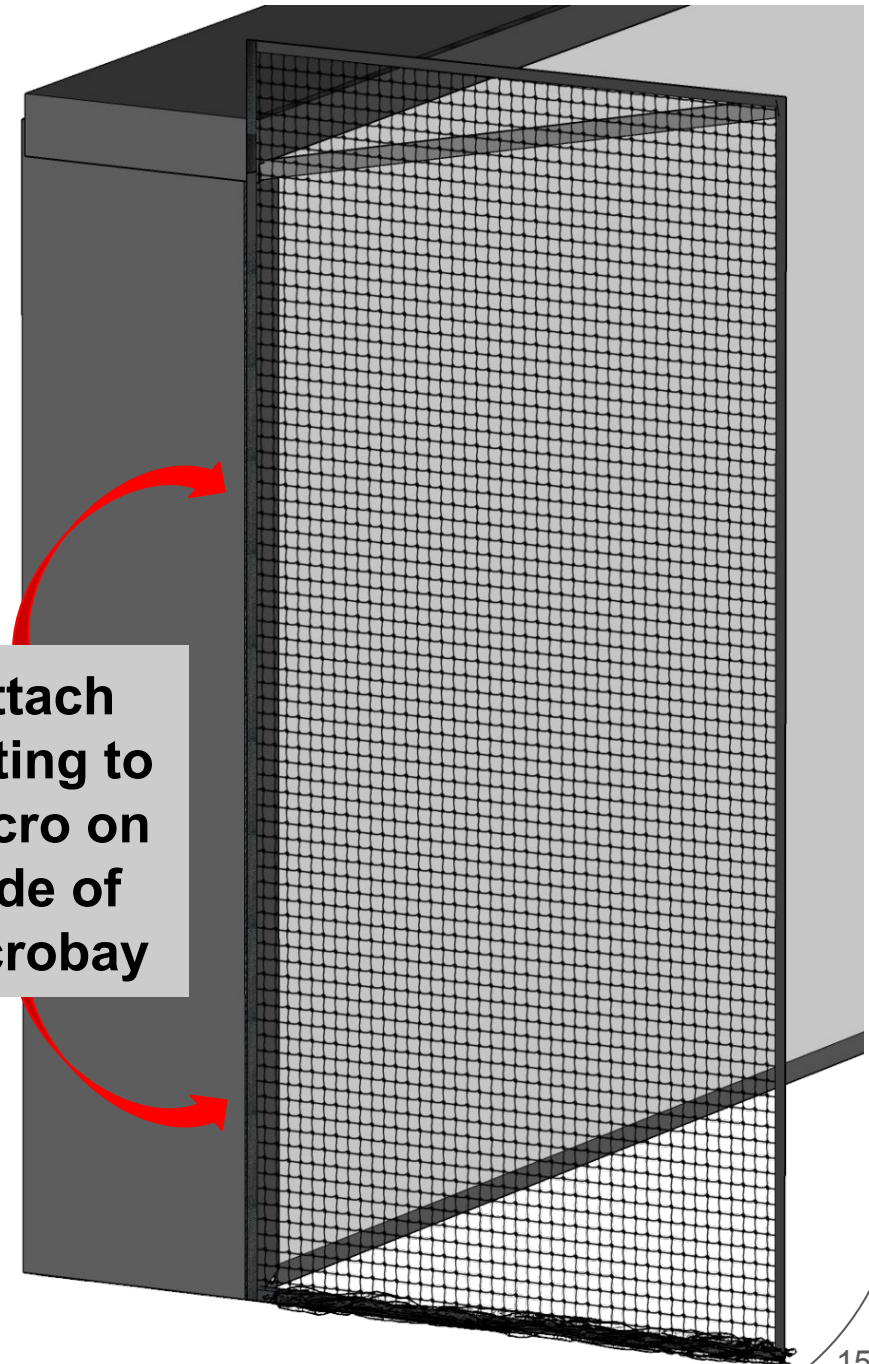
# Attach Side Nets (**SkyGuardPlus™** only)

For each side:

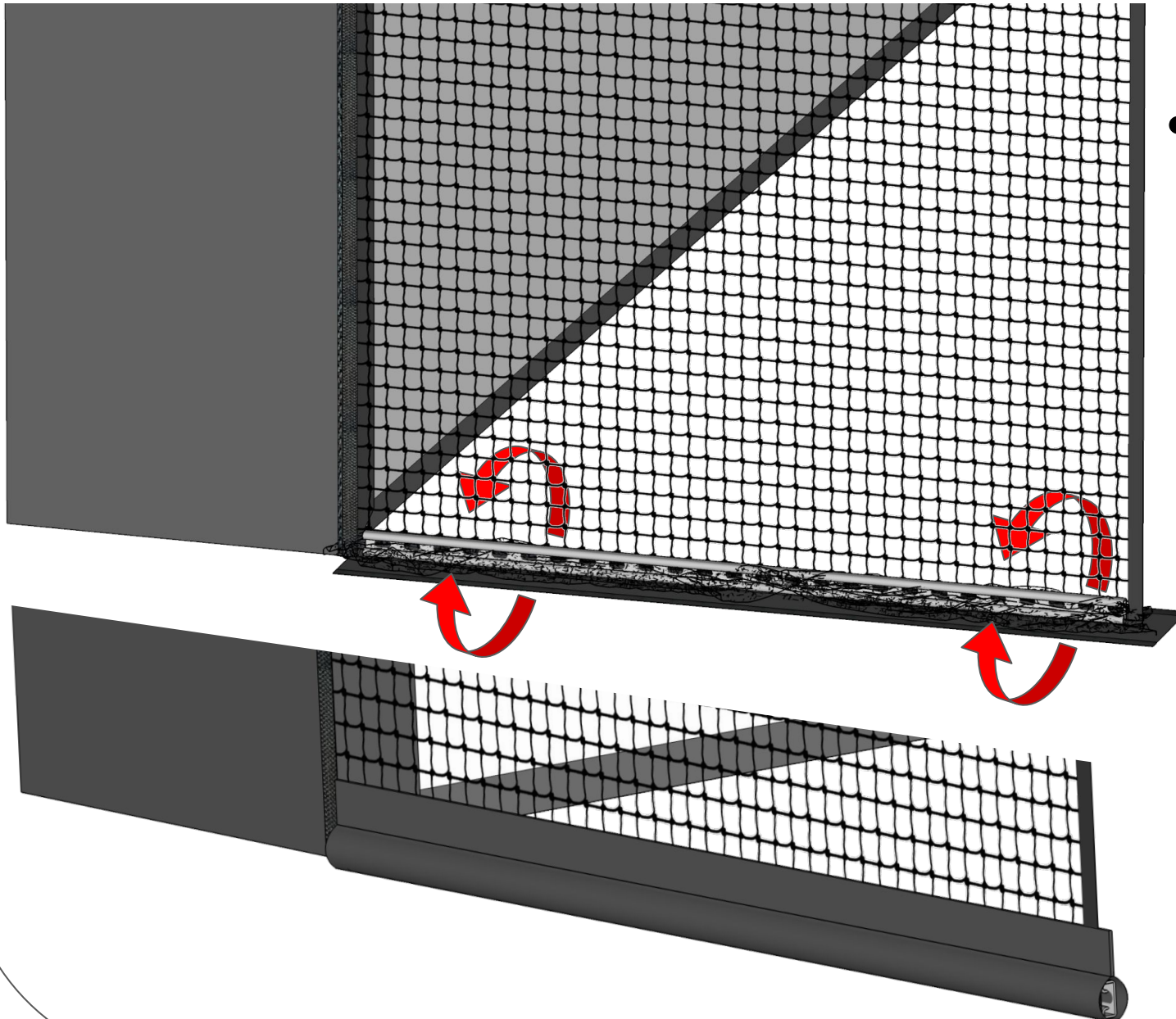
- Position SkyGuard Strut Arms at the desired angle.
- Extend netting to the highest point of arm while keeping netting horizontal to floor.
  - You will likely have extra netting on floor.
- Align and attach to velcro on bay while using zip ties to attach netting to strut arms.



**Attach  
netting to  
velcro on  
Side of  
Microbay**



# Attach Weight Pockets to side nets (**SkyGuardPlus™** only)

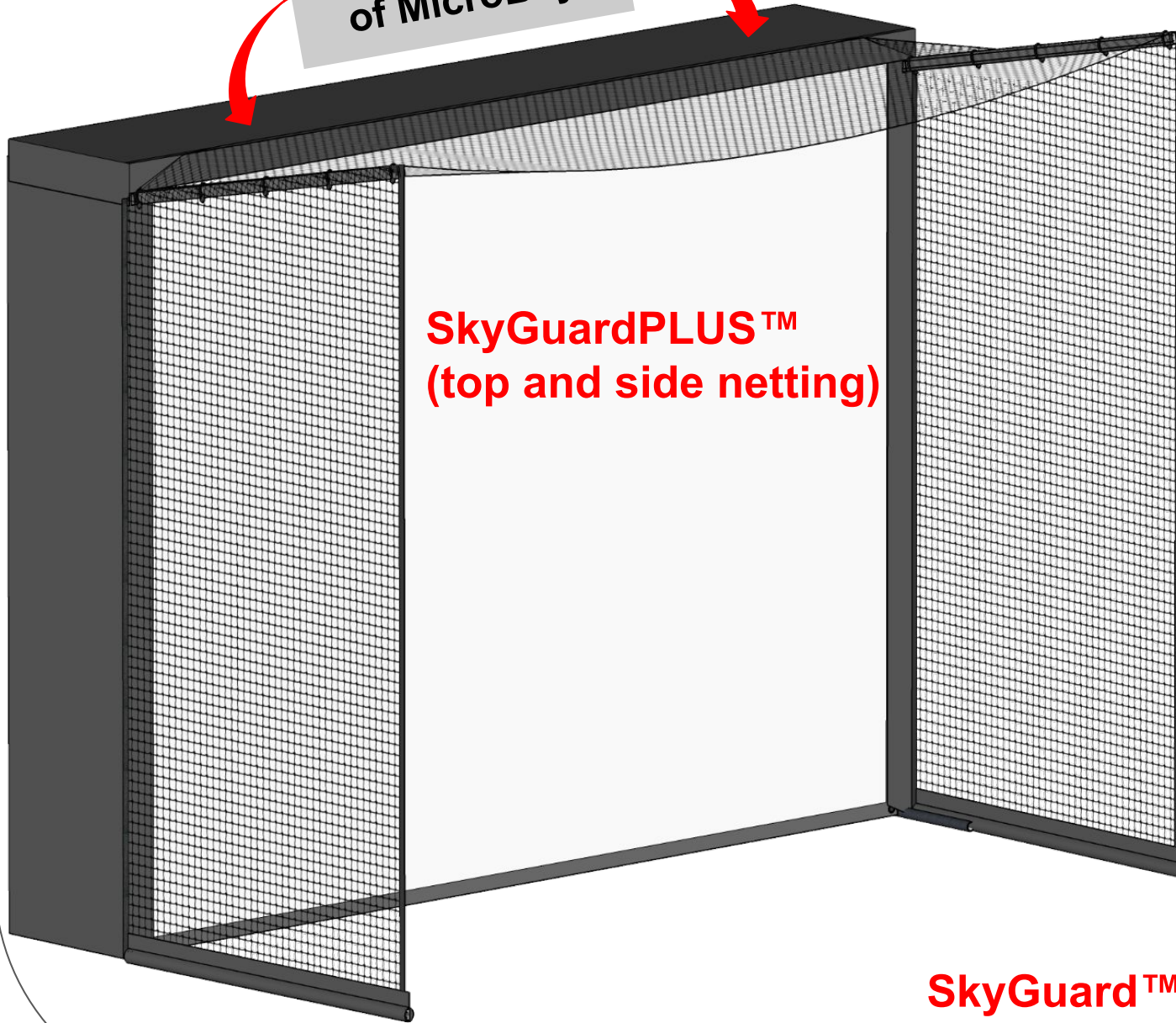


- Place extra netting and heavy object (not included) such as a piece of strut channel, EMT pipe or chain in weight pockets and velcro closed through netting.



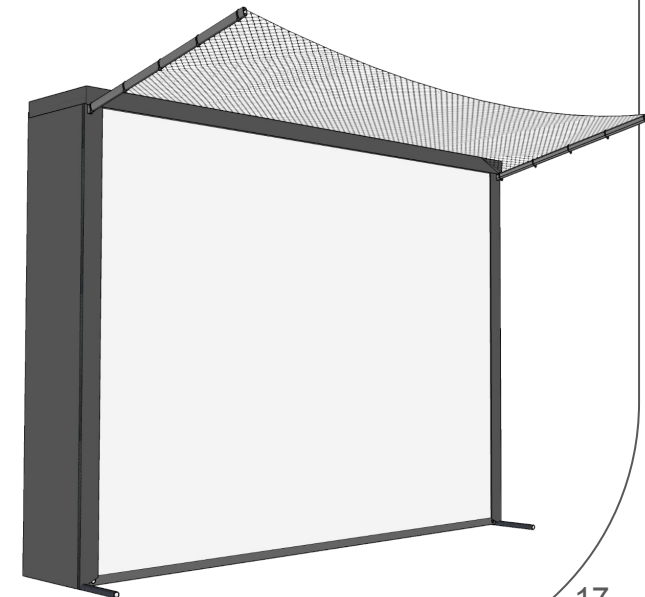
# Attach Top Netting

Attach netting  
to velcro on top  
of MicroBay



**SkyGuardPLUS™  
(top and side netting)**

- Align and attach net to velcro on top of MicroBay while using zip ties to attach netting to strut arms.
- Netting should be snug but not overly tight.
- Stretching the net too tightly will cause arms to overly bend inward.



**SkyGuard™  
(top netting only)**

# **Your SkyGuard™ System is ready for Golf!**



**Double check that everything is secured in place and enjoy!**