

SkyBridge Installation Guide



2/17/2023

SkyBridge™ Parts List

Hardware:

- SkyBridge brackets

- 2 x



- 4 x



- Strut coupling hardware

- 2 x



- 8 x



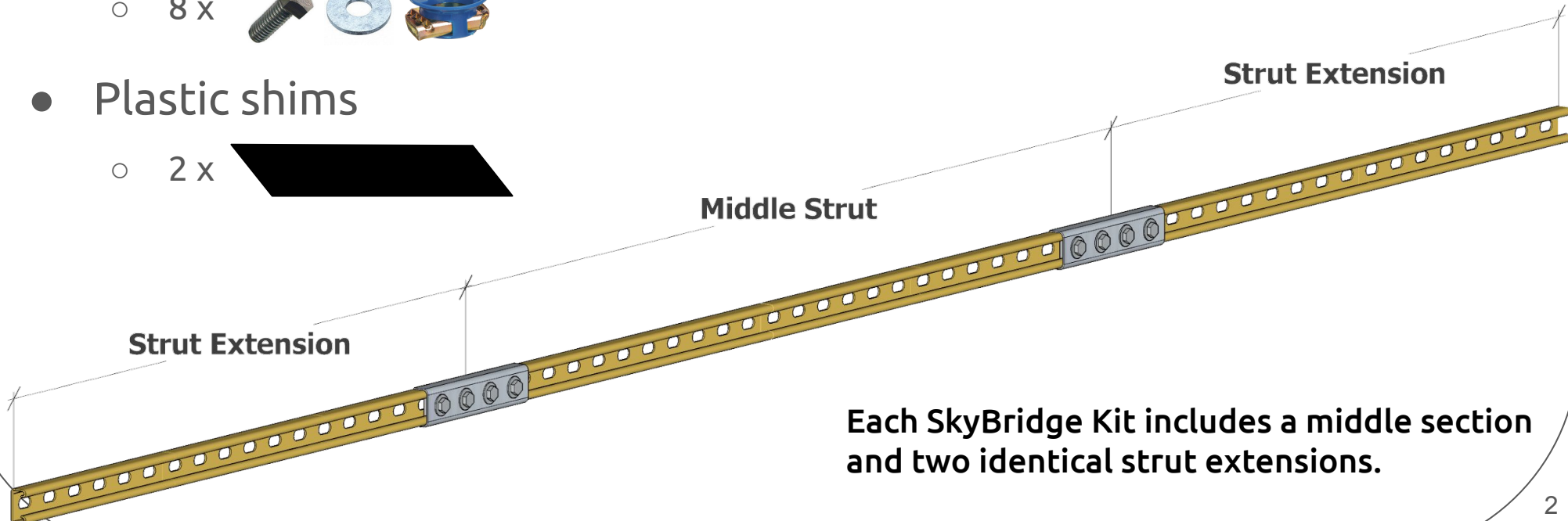
- Plastic shims

- 2 x



Struts:

- 1 x Middle Strut
- 2 x Strut Extensions



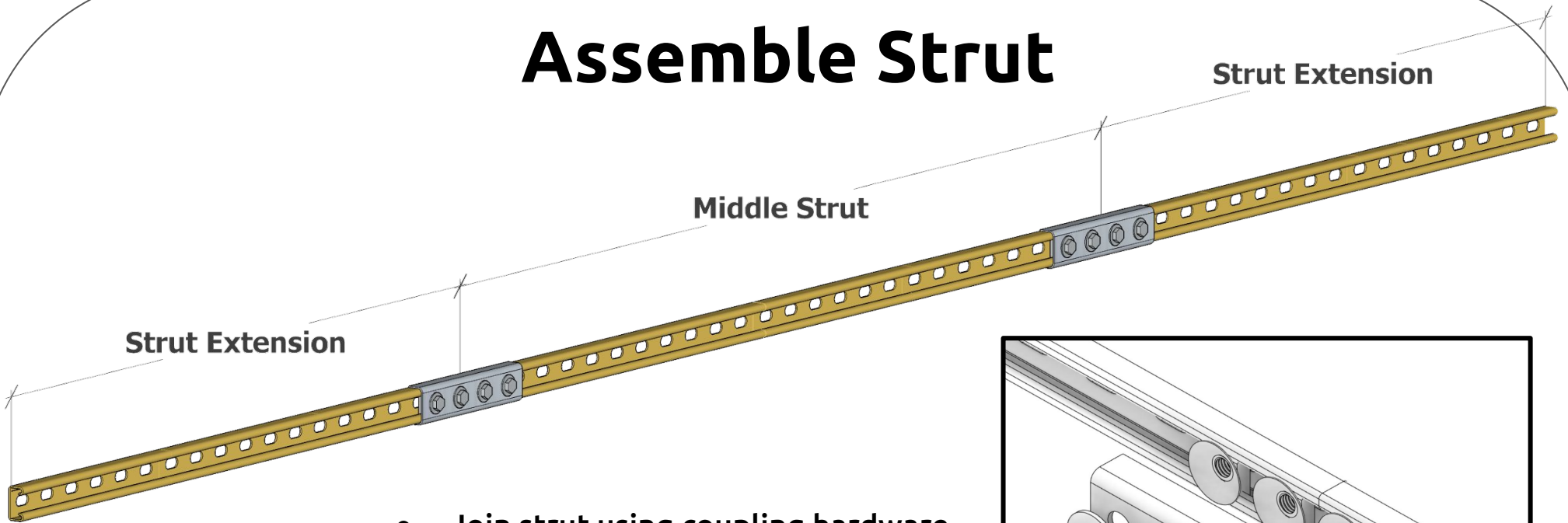
Each SkyBridge Kit includes a middle section and two identical strut extensions.

Strut Sizing

Bay Width	Middle Strut	Strut Extensions
10'W	QTY 1 Strut 60"	QTY 2 Struts 28.5"
12'W	QTY 1 Strut 60"	QTY 2 Struts 40.5"
14'W	QTY 1 Strut 60"	QTY 2 Struts 52.5"
16'W	QTY 3 Struts 63"	
18'W	QTY 3 Struts 71"	
20'W	QTY 3 Struts 79"	

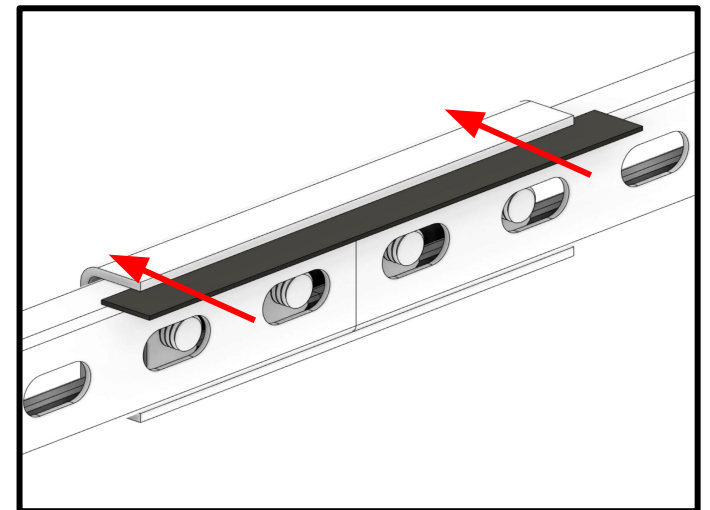
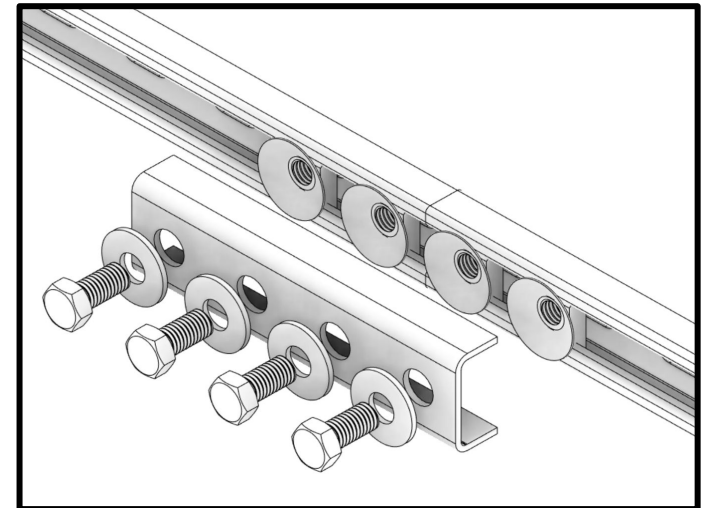
If custom width, assembled strut should be 3" shorter than cage width dimension.

Assemble Strut



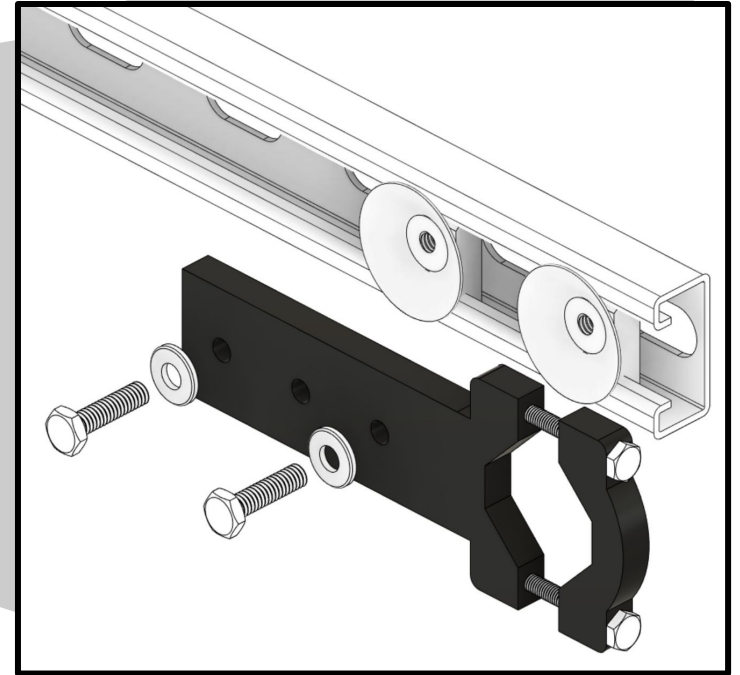
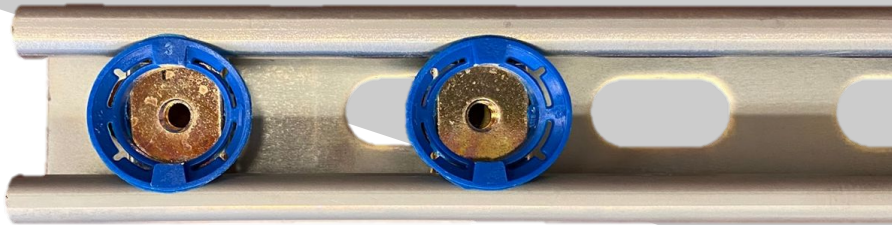
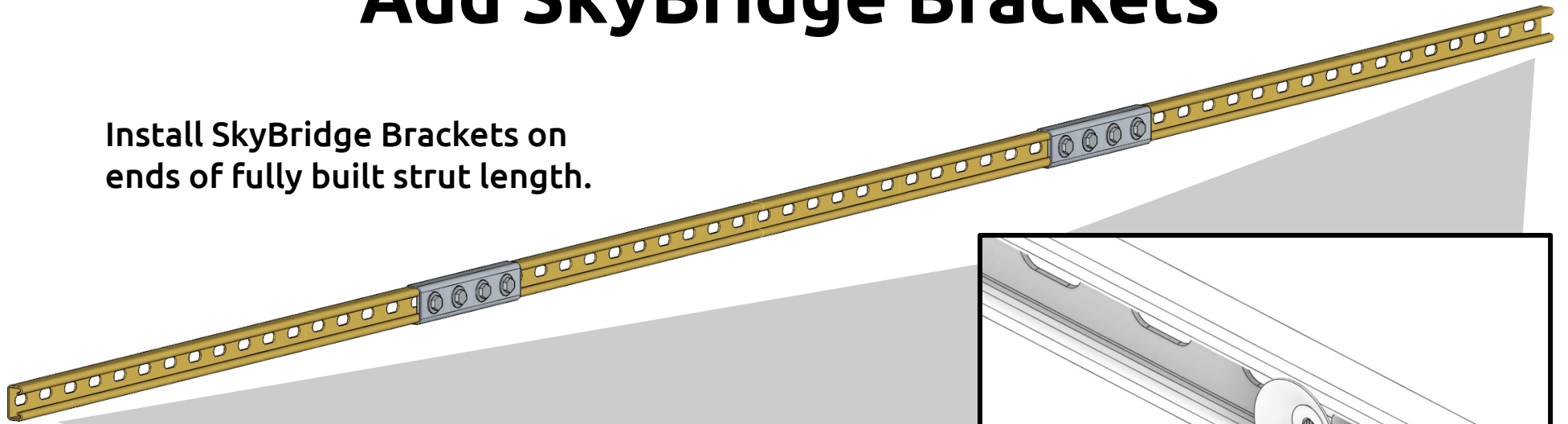
- Join strut using coupling hardware.
- Do not tighten bolts yet.

- Insert included plastic shim in between top or bottom of strut and coupling bracket.
- Once shim is inserted, tighten bolts.
 - Plastic shim may need to be lightly hammered into place.
 - If shim will not go in, continue without shim.



Add SkyBridge Brackets

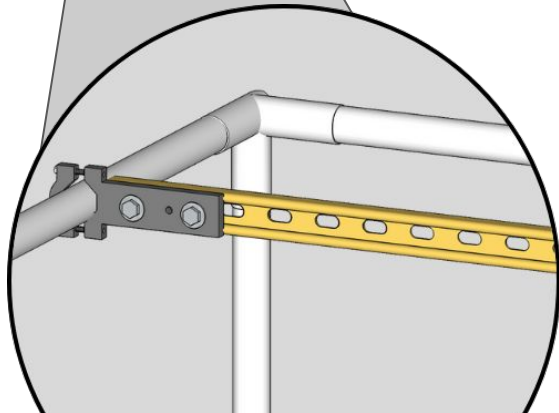
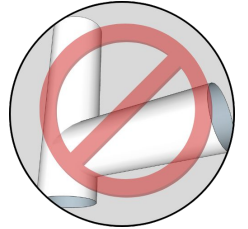
Install SkyBridge Brackets on ends of fully built strut length.



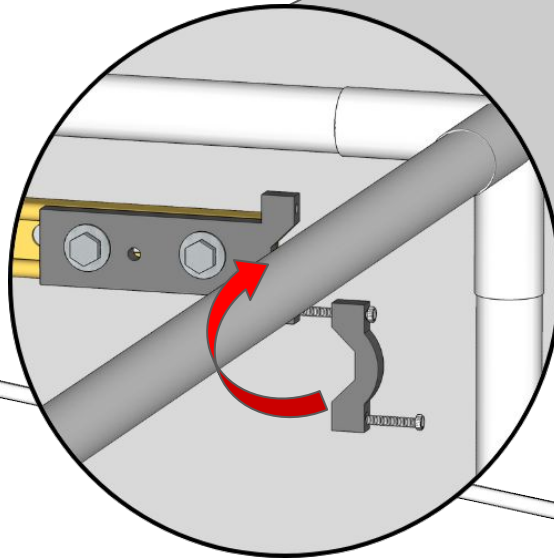
SuperBay Modified Cage Assembly

12"

- Unistrut replaces screen pole
- No T-Connectors needed
- Install unistrut and tighten brackets

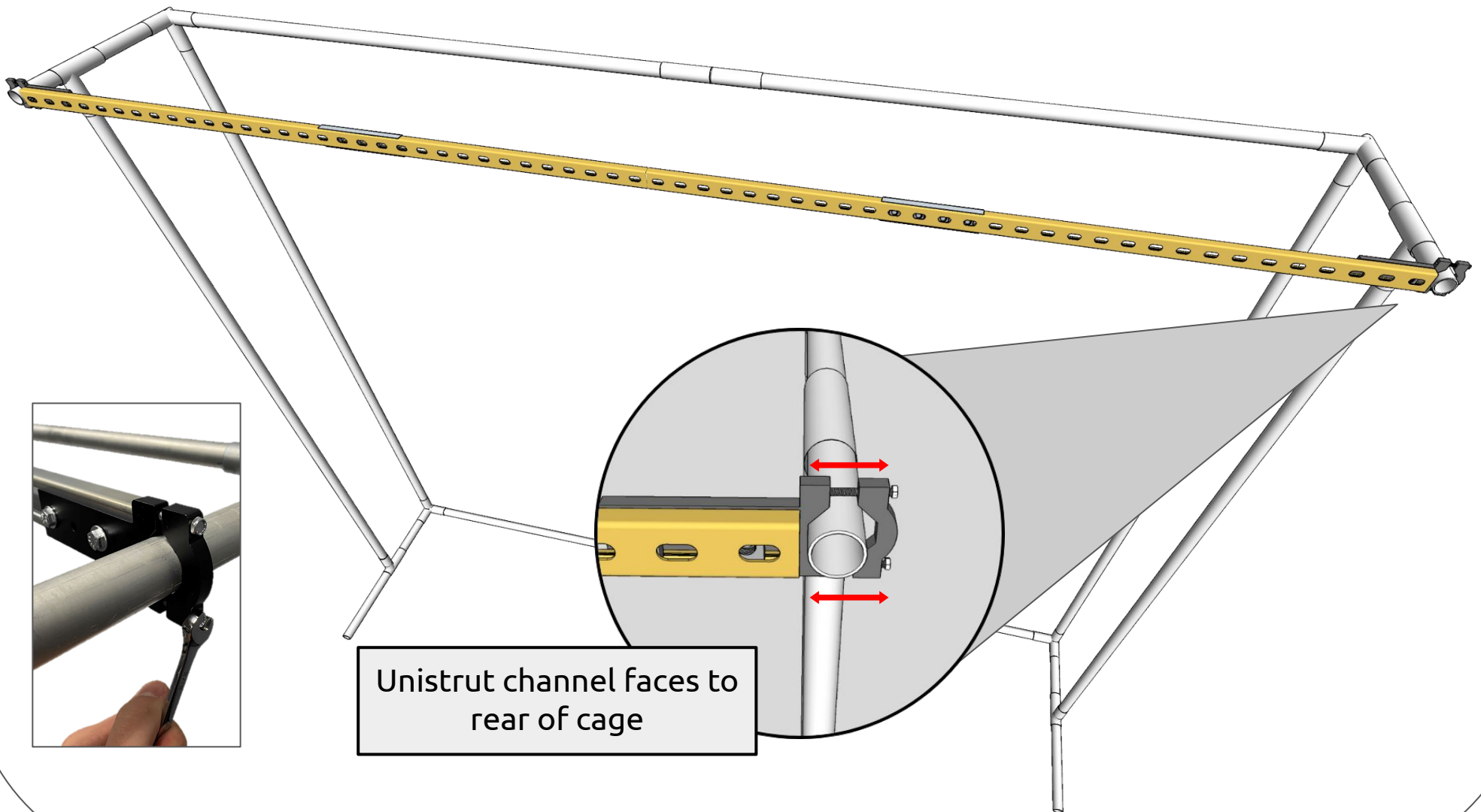
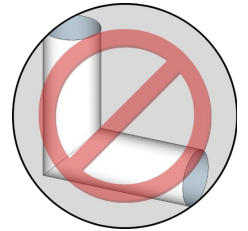


Unistrut channel faces to front of cage



MicroBay Modified Cage Assembly

- Unistrut replaces front screen pole
- 90° Connectors not needed
- Install unistrut and tighten brackets

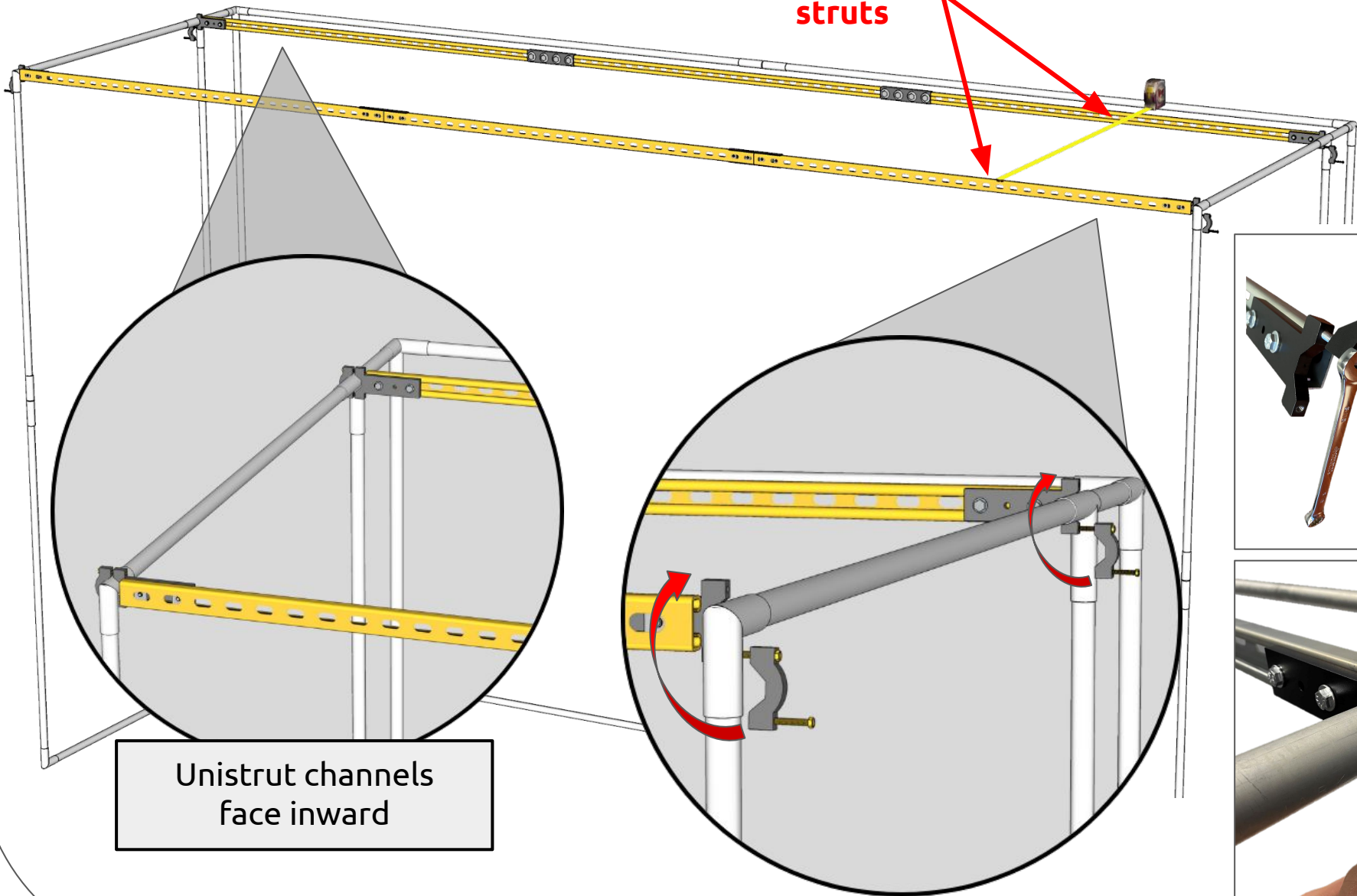


Unistrut channel faces to rear of cage

StudioBay CAGE

- No frame modifications are necessary, SkyBridge is standard on StudioBay!
- ⚠ space struts 48" apart (channels facing inward)

48" between struts



Unistrut channels
face inward

