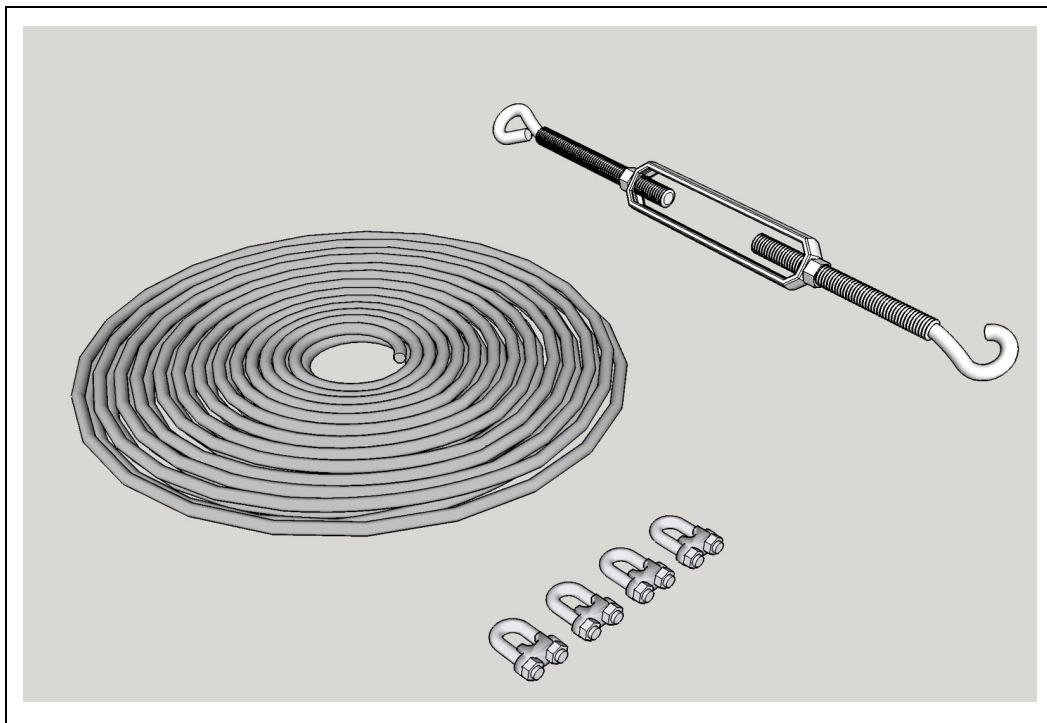


# ASSEMBLY GUIDE FOR Cable & Turnbuckle

for use with SideRite™ and ShotDefender™



[www.allsportsystems.com](http://www.allsportsystems.com)



## INTRODUCTION

SideRite™ Tension Kit comes standard with SuperBay™, MicroBay™, and BudgetBay™. It can also be purchased as an upgrade for your custom built screen.

The ShotDefender™ comes standard with the SuperBay™. It can also be purchased as an upgrade to the BudgetBay™, SkyBay™ or installed on a custom built enclosure.

When installing the SideRite™ Screen Tension Kit and/or the ShotDefender™ Safety Valance the cabling must first be assembled.

**SideRite Tension Kit:** Requires two cables; two turnbuckles and 8 wire clips.

**ShotDefender:** Requires one cable; one turnbuckle and 4 wire clips.

### What's Included:



Cables



4 ea Wire Clips (per cable)



1 ea turnbuckle (per cable)

### Tools/Equipment needed:

- wrench
- gloves
- wire cutters

### Safety:

- Use gloves when handling the cabling.

## Step 1 - Attach Cable to TurnBuckle

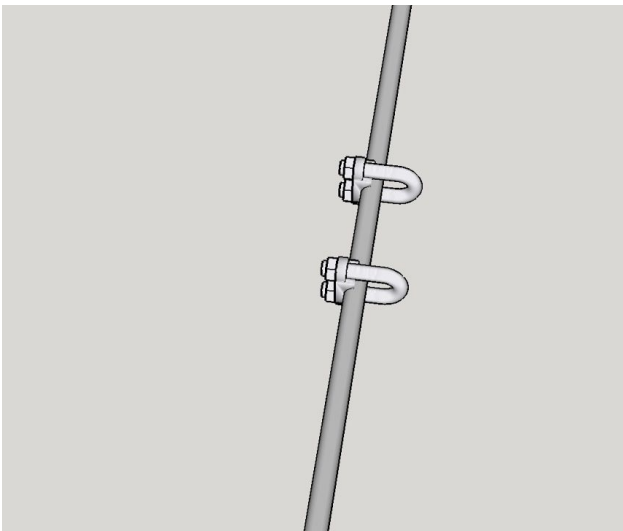
Follow the steps below to attach one end of the cable to eye of turnbuckle:



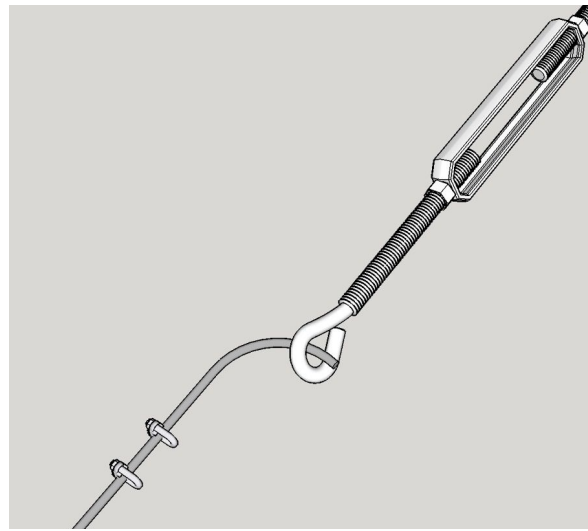
If the end is frayed or unraveled, tape cable as shown with electrical tape.



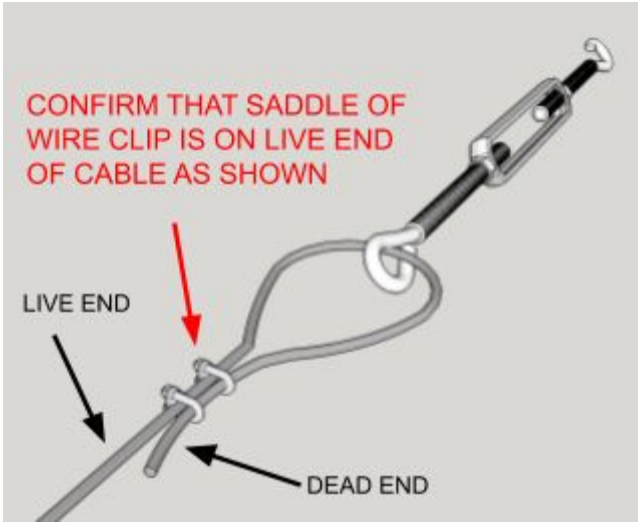
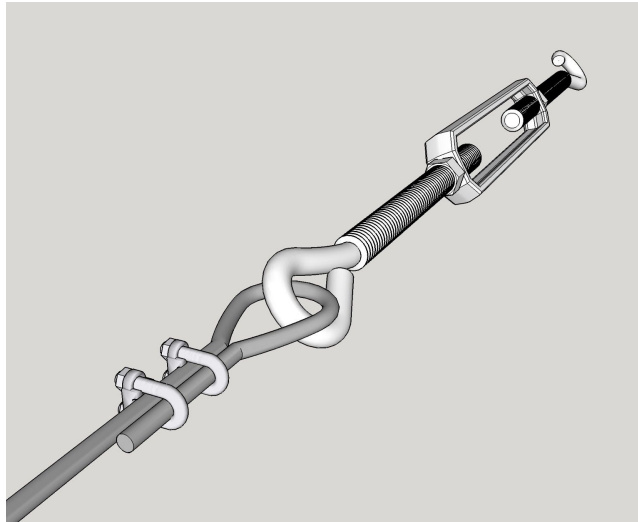
Cut the cable at the tape so that cable end is properly seized and will not unravel.



Place two wire clips on cable.



Thread cable end through the eye fitting of Turnbuckle

 <p>CONFIRM THAT SADDLE OF WIRE CLIP IS ON LIVE END OF CABLE AS SHOWN</p> <p>LIVE END</p> <p>DEAD END</p>	
<p>Thread end of the cable back through wire clips.</p>	<p>Close loop and tighten wire clips with wrench so that cable does not slip. Leave about 1" of cable beyond last wire clip.</p>

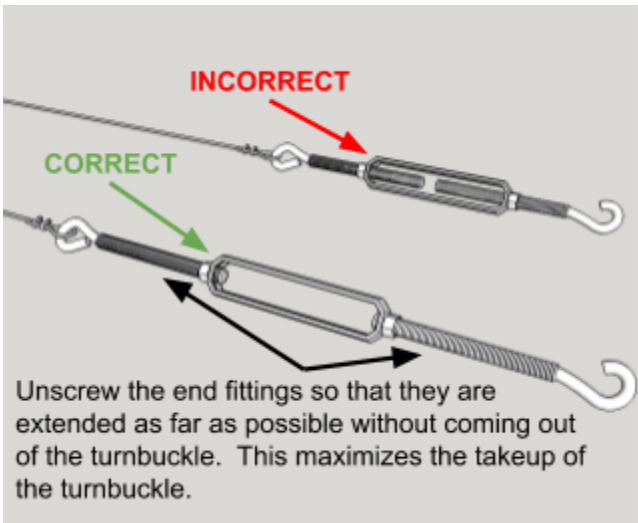
## Step 2 - Add eye and trim cable to proper length

Complete cable assembly by first determining the proper length of the cable, forming the eye and then trimming off extra cable.

**For SideRite Cabling** the cable should be able to wrap around the top and bottom depth poles and attach to fully open turnbuckle.

**For ShotDefender Cabling** the cable should be able to extend around the upper depth poles the entire width of the enclosure and attach to fully open turnbuckle.

Follow the steps below ...

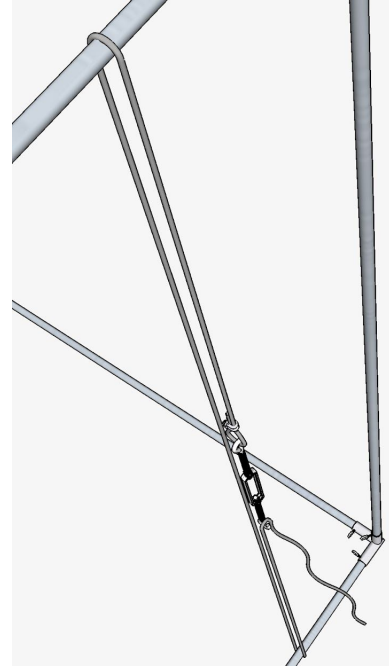
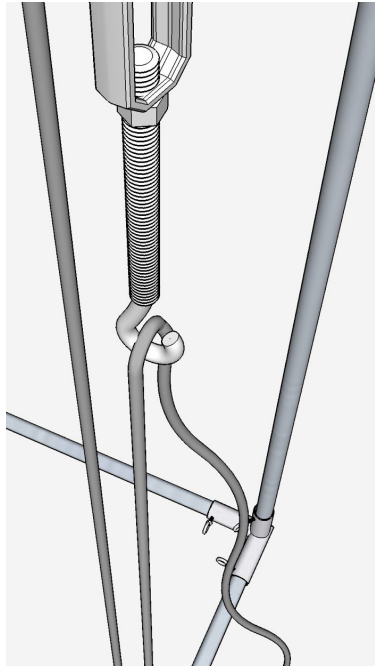
<p><b>Open Turnbuckle fully</b> as shown to the right.</p> <p>This is important for providing tension on the cable after it is attached to the cable.</p>	 <p>INCORRECT</p> <p>CORRECT</p> <p>Unscrew the end fittings so that they are extended as far as possible without coming out of the turnbuckle. This maximizes the takeup of the turnbuckle.</p>
---	--

**SIDERITE CABLES:**

Wrap cable around the top and then the bottom depth poles for each SideRite Cables.

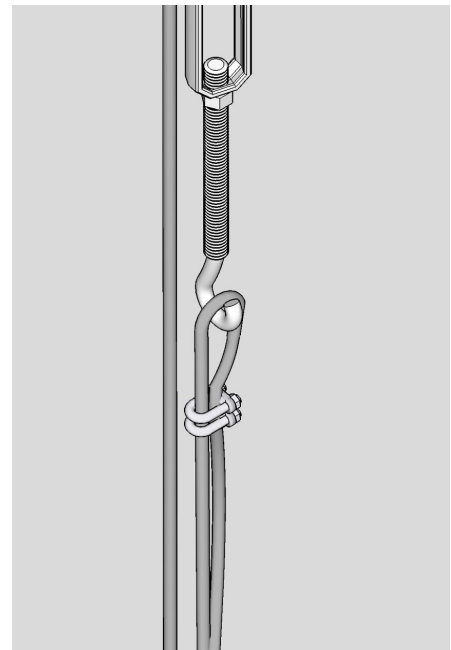
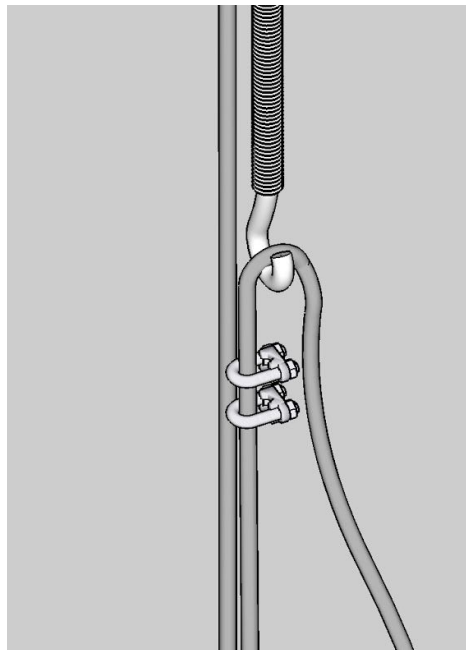
**SHOTDEFENDER CABLES:**

Wrap cable around the top-left and top-right depth poles (across entire width). Pull the end of the cable through the hooked end of the turnbuckle until cable is tight. Mark the cable to indicate where the eye should be formed.

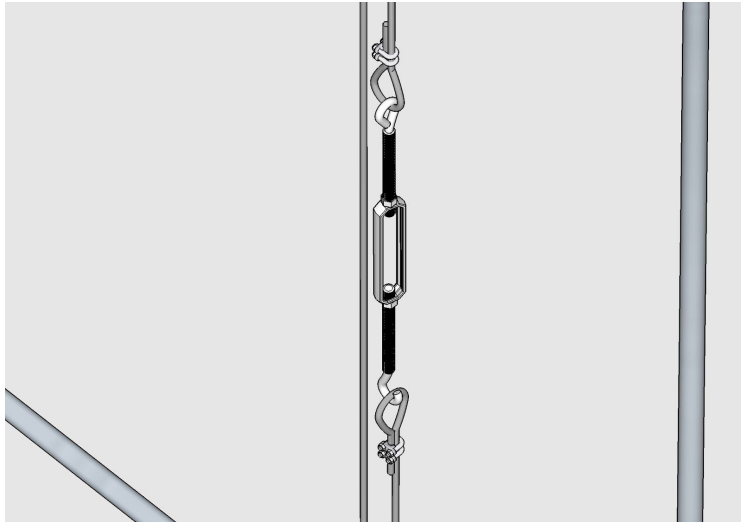


Thread two wire clips on to the cable and form a loop in the cable around the hook end of the turnbuckle. Thread the dead end of the cable back through the wire clips.

**Tighten** wire clips with wrench.



**TRIM** extra cable and tighten turnbuckle to provide tension on the cable.



*Enjoy and be safe,*

***All Sport Systems***