

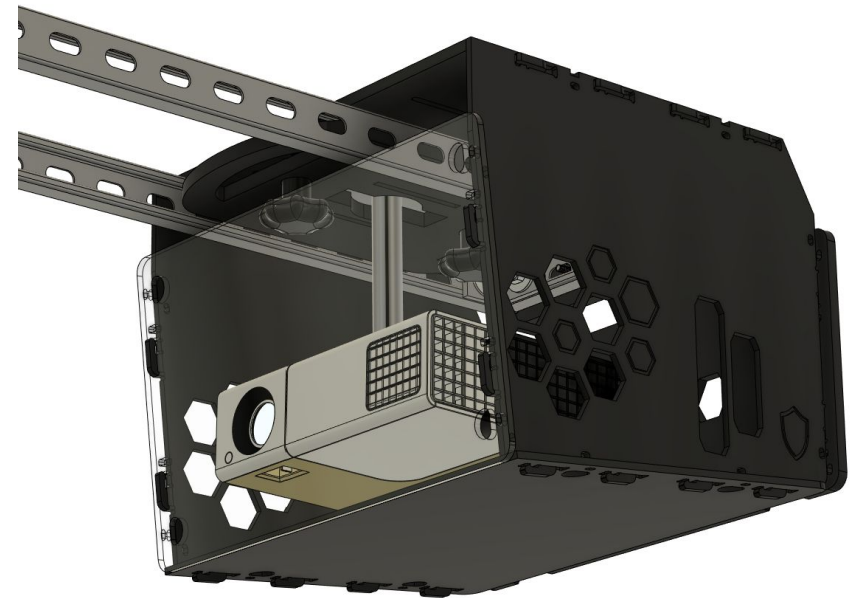
# ProjectorShield™ Installation Guide

**Ceiling Mount  
instruction begins**

**[Page 3](#)**

**SkyRailPlus™  
instruction begins**

**[Page 20](#)**



# IMPORTANT WARNING

**USE THIS PRODUCT AT YOUR OWN RISK. NO CLAIM IS MADE AS TO ITS SAFETY, FITNESS, OR RELIABILITY FOR ANY PURPOSE. HITTING GOLF BALLS IN AN INDOOR ENVIRONMENT IS EXTREMELY DANGEROUS! ALWAYS EXERCISE CAUTION WHEN USING YOUR SYSTEM. WE RECOMMEND HITTING 'ALMOST GOLF' BALLS OR SIMILAR LIGHTWEIGHT GOLF BALLS FOR INCREASED SAFETY. NEVER SWING A GOLF CLUB IN CLOSE PROXIMITY TO PETS OR PEOPLE. ALWAYS STAND AS CLOSE AS POSSIBLE TO THE HITTING BAY TO MINIMIZE THE RISK OF STRAY SHOTS FLYING OUTSIDE THE ENCLOSURE. NEVER ALLOW ANYONE TO STAND IN FRONT OF YOU, OR ON EITHER SIDE OF THE ENCLOSURE WHILE YOU ARE HITTING!**

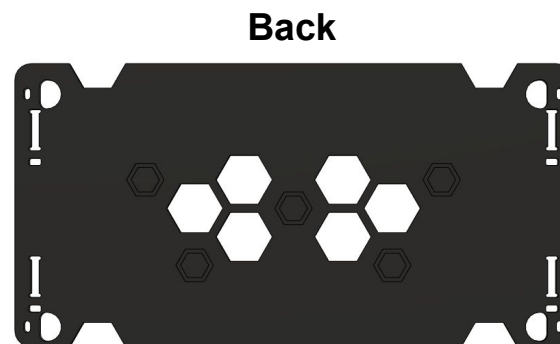
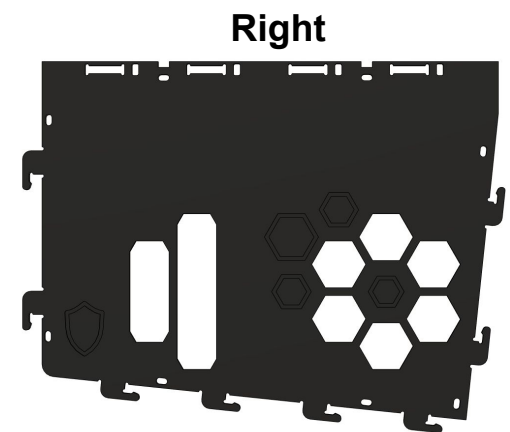
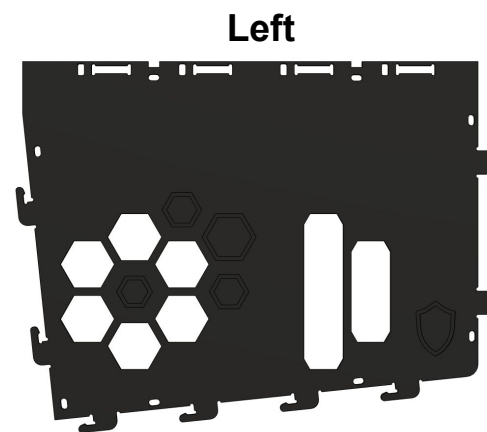
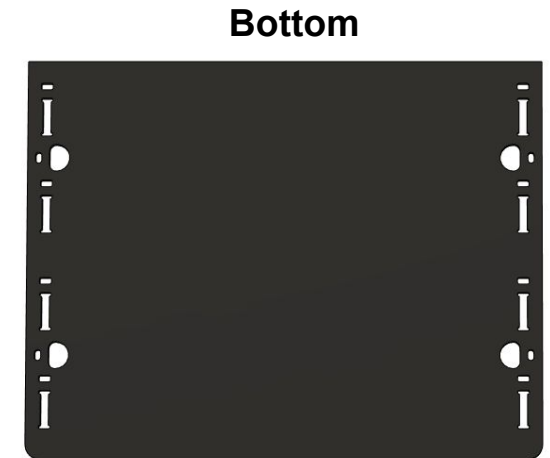
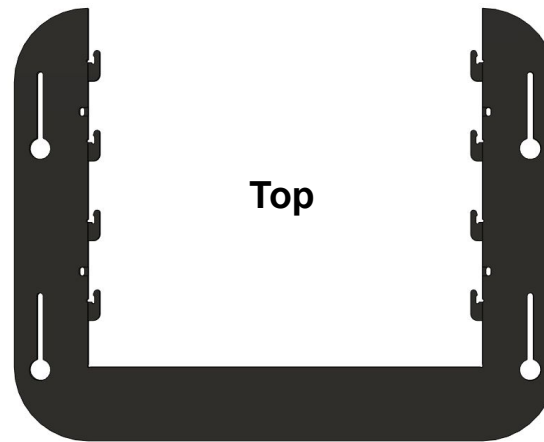
# ProjectorShield™ Ceiling Mount Parts List

## Parts:

- Top Plate
- Bottom Plate
- Left & Right Side Plates
- Back Plate
- Clear Faceplate

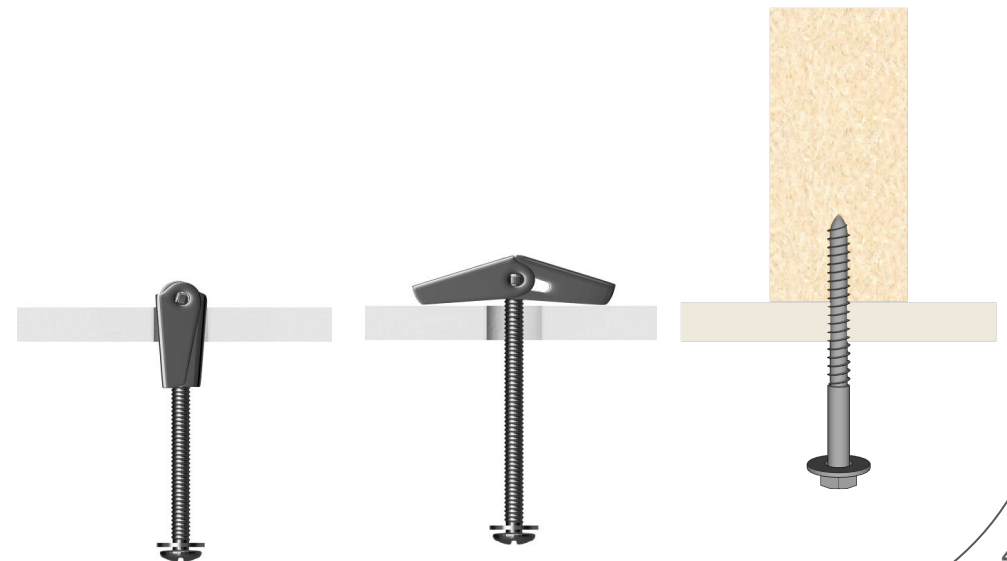
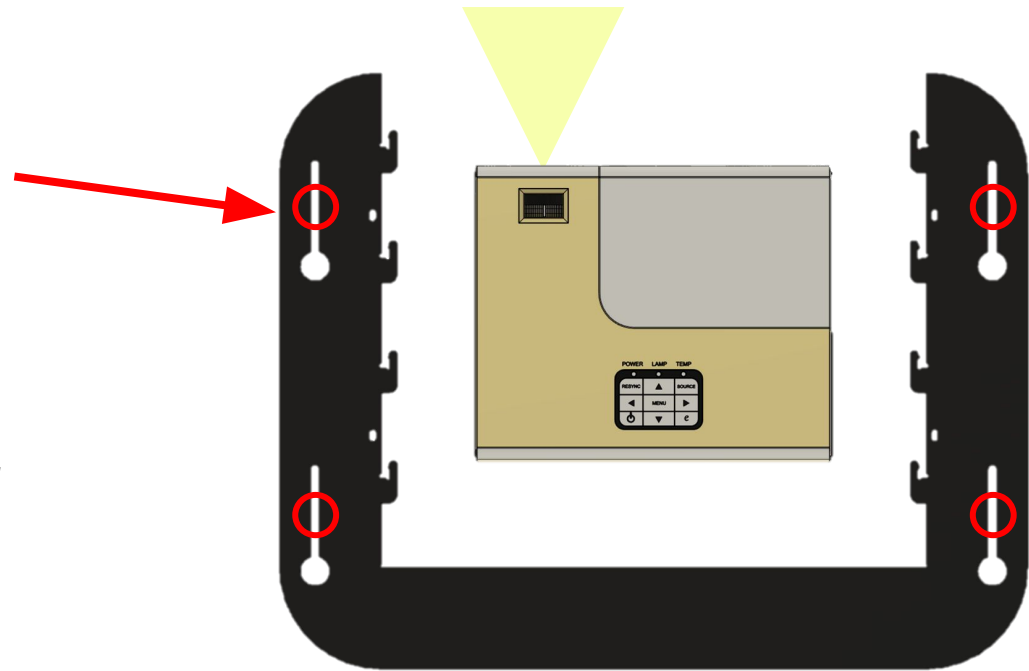
## Hardware:

- 4 x Bolts 1/4"-20 x 4" Long
- 4 x Butterfly Nuts
- 4 x Lag Bolts, 1/4" x 2.5"
- 4 x Washers
- Bundle of Zipping Safety Straps



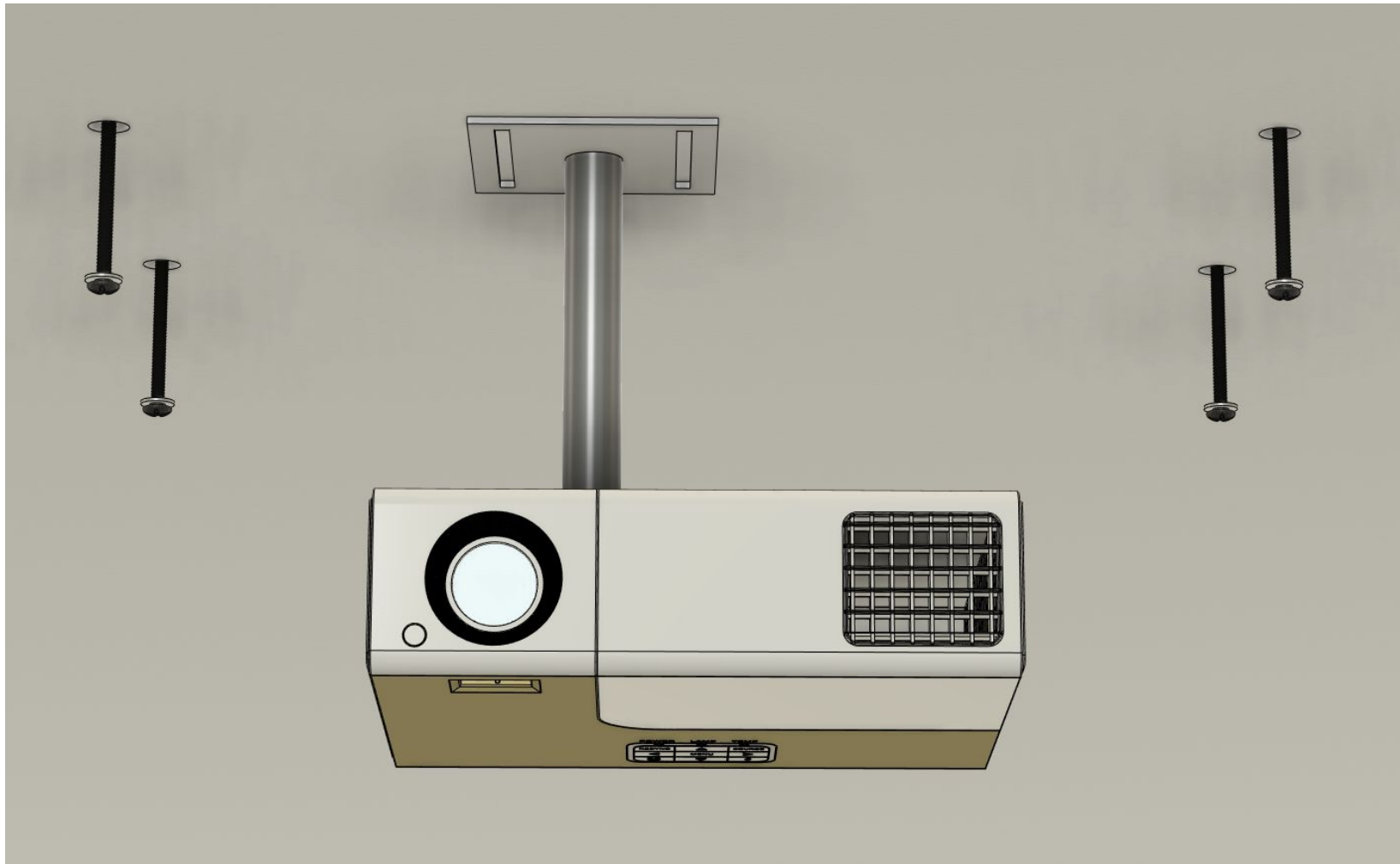
# Pre-Drill Mounting Holes and Insert Bolts

- Center bracket around the projector and mark mounting holes centered along each slot as shown.
- Lower ceiling bracket and predrill holes:
  - If holes align with a joist, drill  $5/32$ " pilot hole for the  $1/4$ " lag bolts.
  - Where no joist, drill  $5/8$ " hole for toggle bolts.
- Assemble toggle bolt by adding washer and butterfly nut to bolt. Insert through holes, butterfly nut will fold closed inside hole and then spring open once completely through.
- Partially start lag bolts (if any).



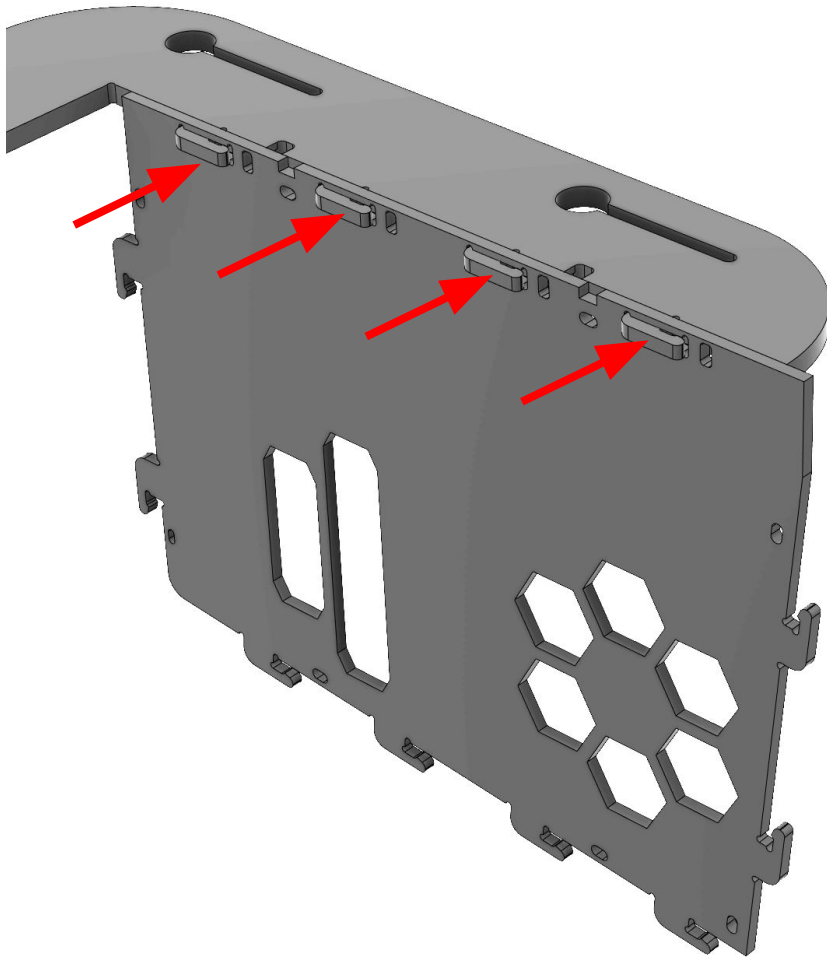
# Moving to prepare ProjectorShield™

Bolts can be left hanging for now. Next steps will prepare the ProjectorShield™ for mounting.

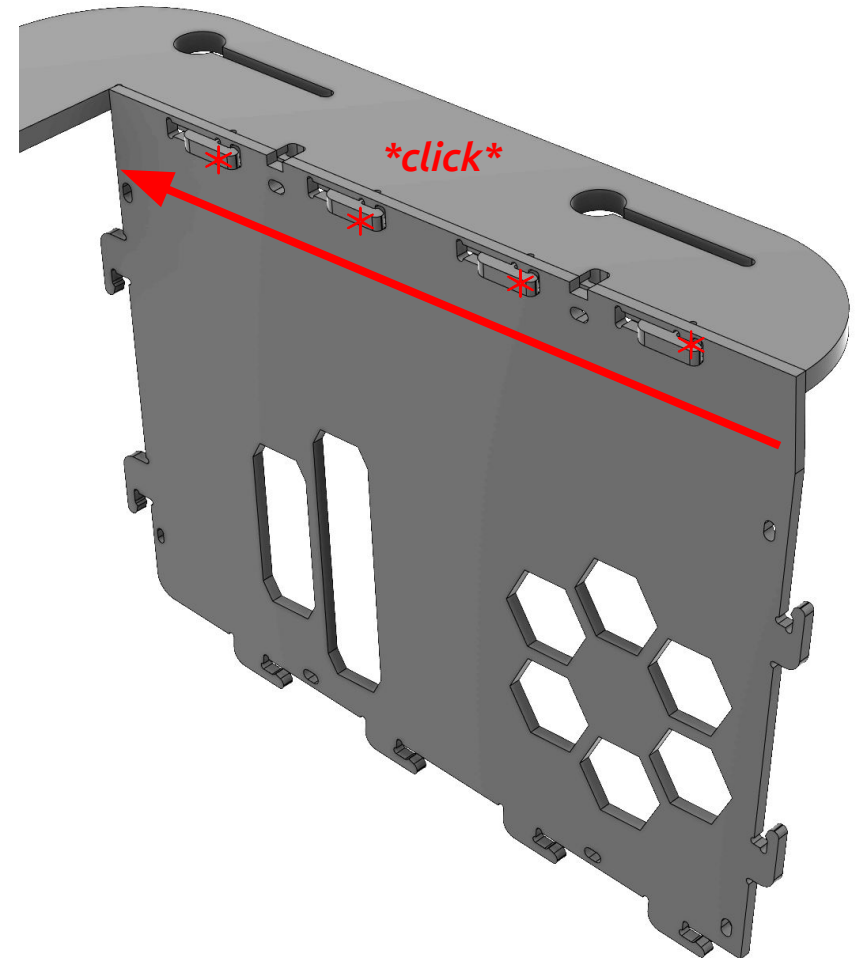


# Attach Side Plates to Top Plate

1. Press Side Plate onto Top Plate hooks facing forward. Smooth surface of side plate faces inside.

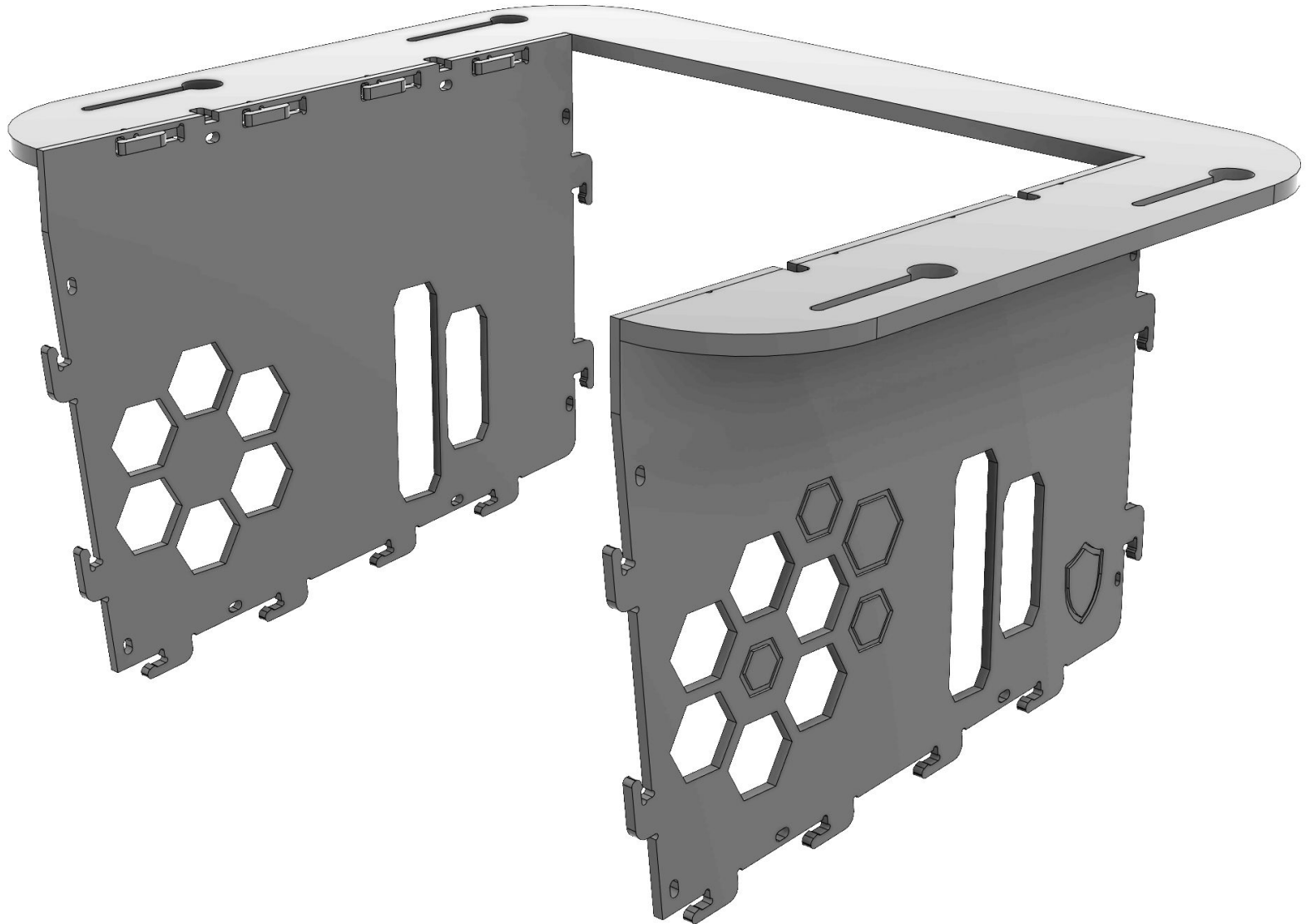


2. Push Side Plate backwards until hooks lock into place. **Some light** force may be needed to lock plates into place.



# Attach Side Plates to Top Plate

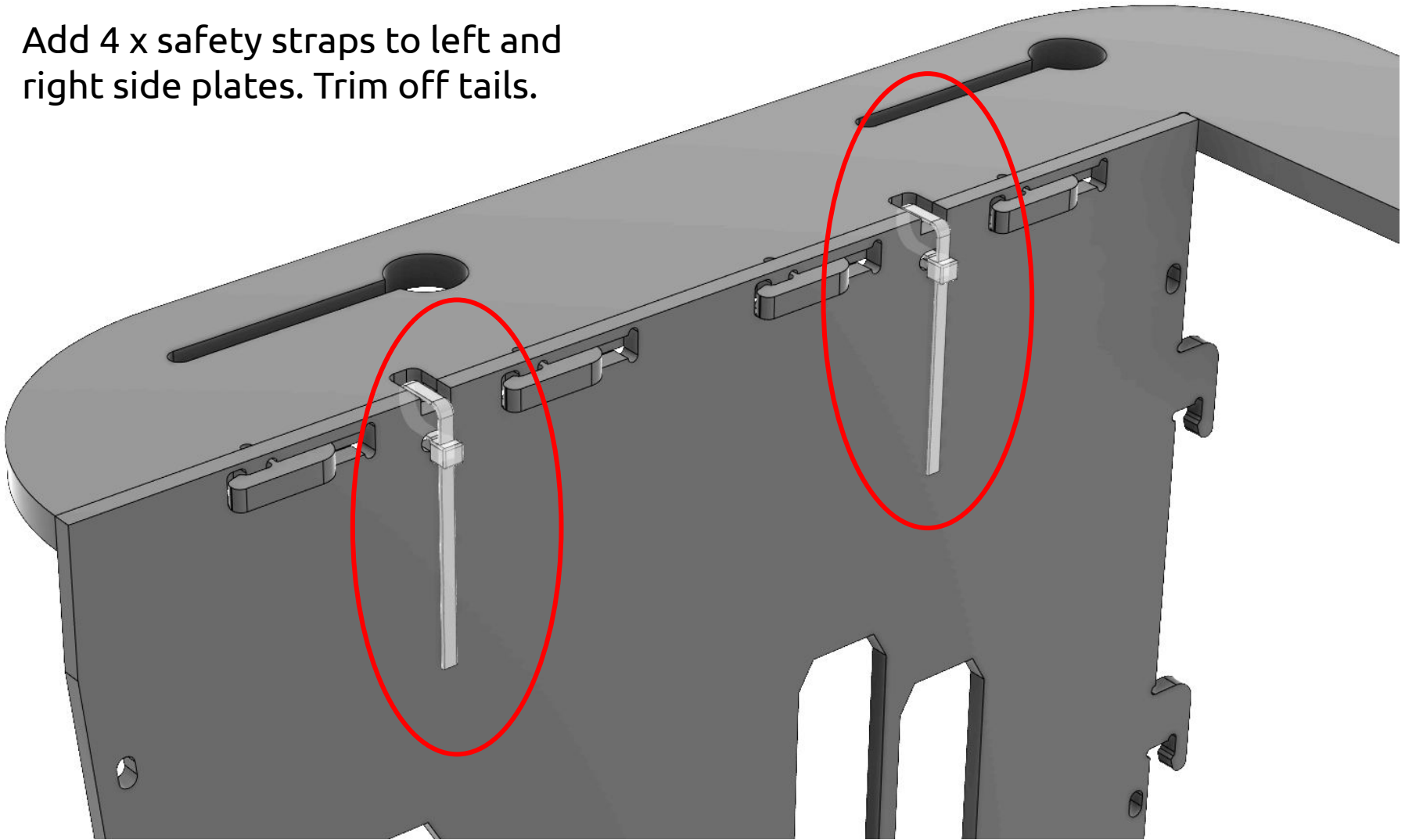
Repeat the previous step and attach  
Side Plates to both sides



# Secure safety straps to Top and Side Plates

*Zippering safety straps are used as an extra level of protection to keep the ProjectorShield™ held together in case of a catastrophic damaging event.*

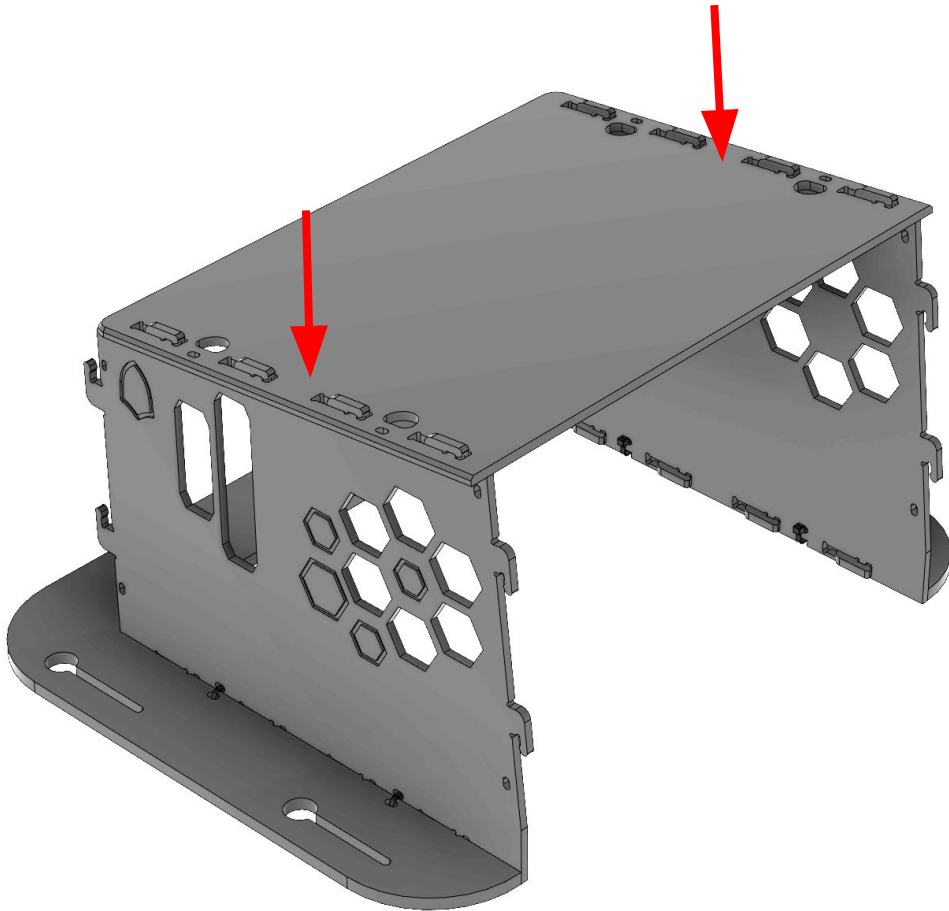
3. Add 4 x safety straps to left and right side plates. Trim off tails.



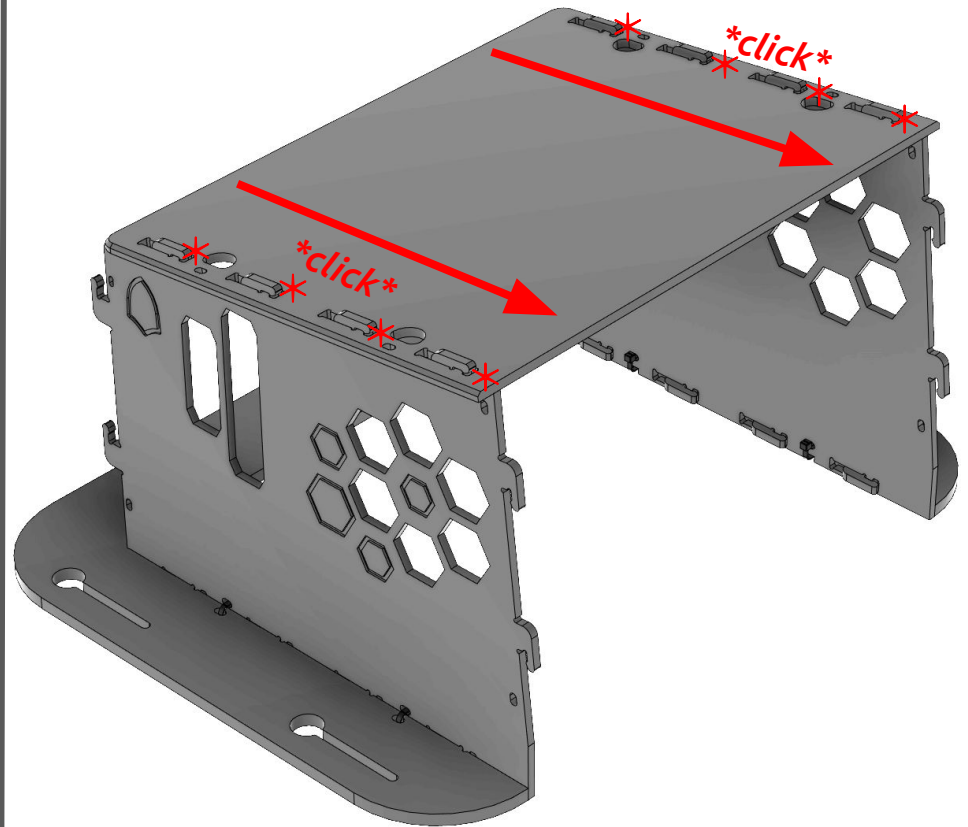


# Attach Bottom Plate

4. Flip unit over and push bottom plate onto hooks facing up

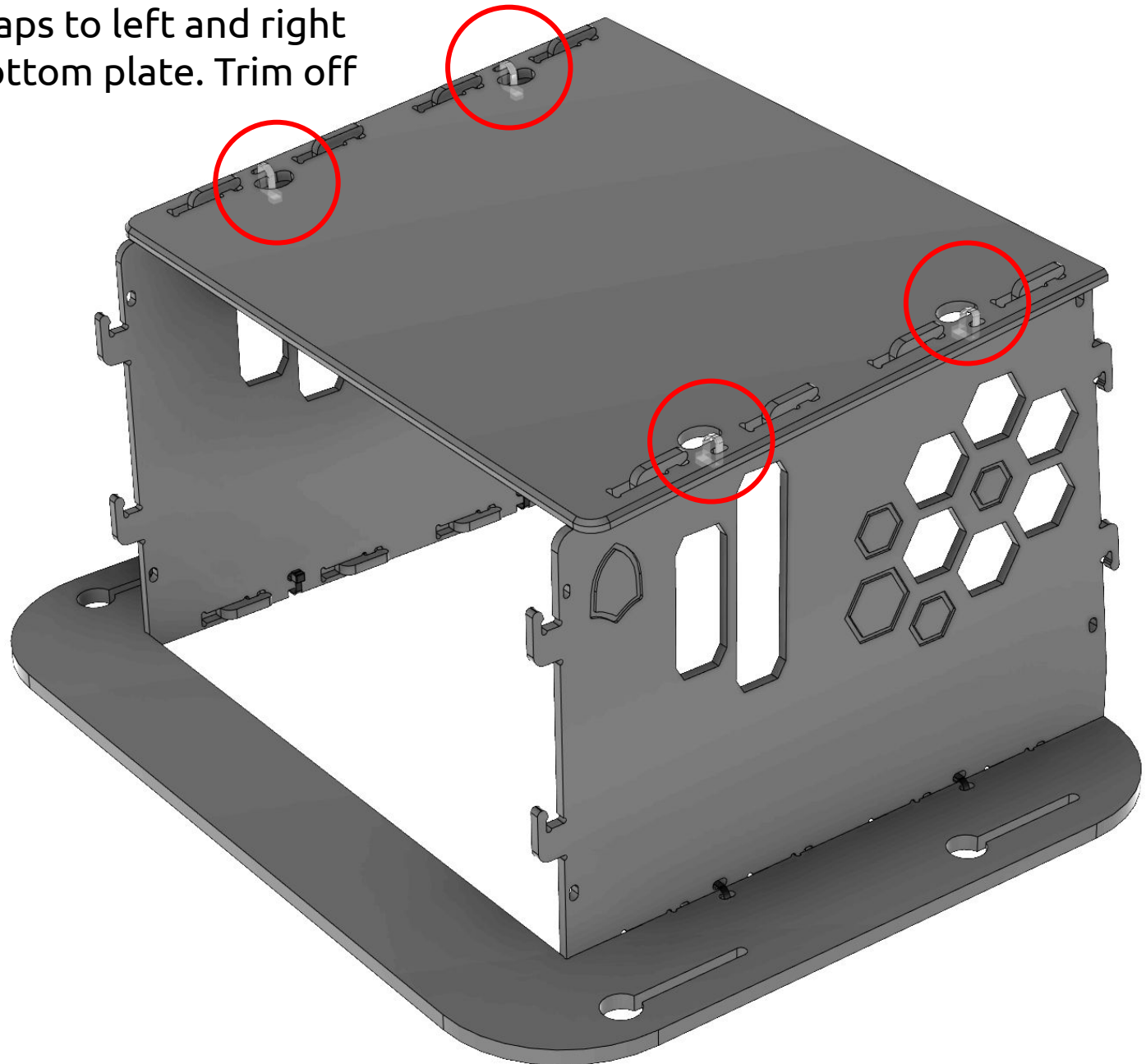


5. Push bottom plate forward and lock into place with hooks. **Some light** force may be needed to lock plates into place.



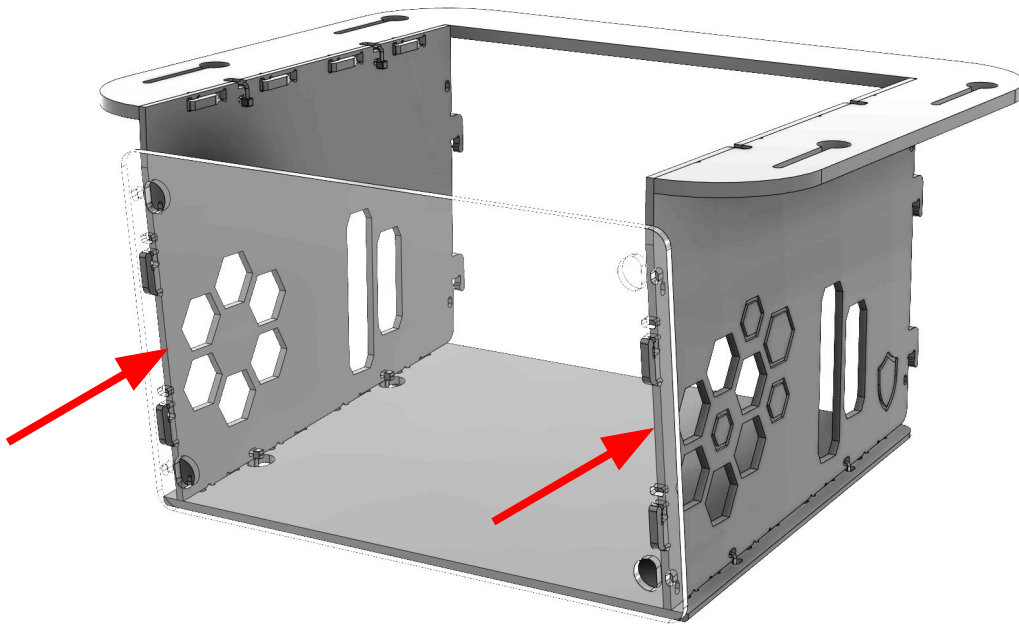
# Secure safety straps to Bottom and Side Plates

6. Add 4 x safety straps to left and right side plates and bottom plate. Trim off tails.

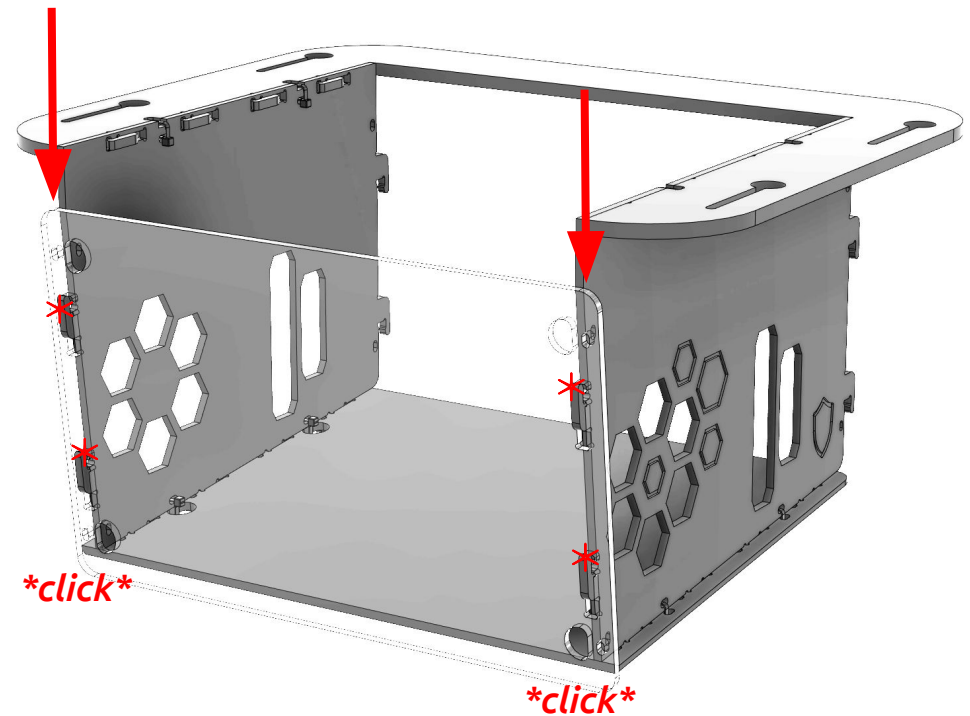


# Attach Faceplate

7. Turn unit over and carefully attach clear faceplate onto hooks on the front of your ProjectorShield™.

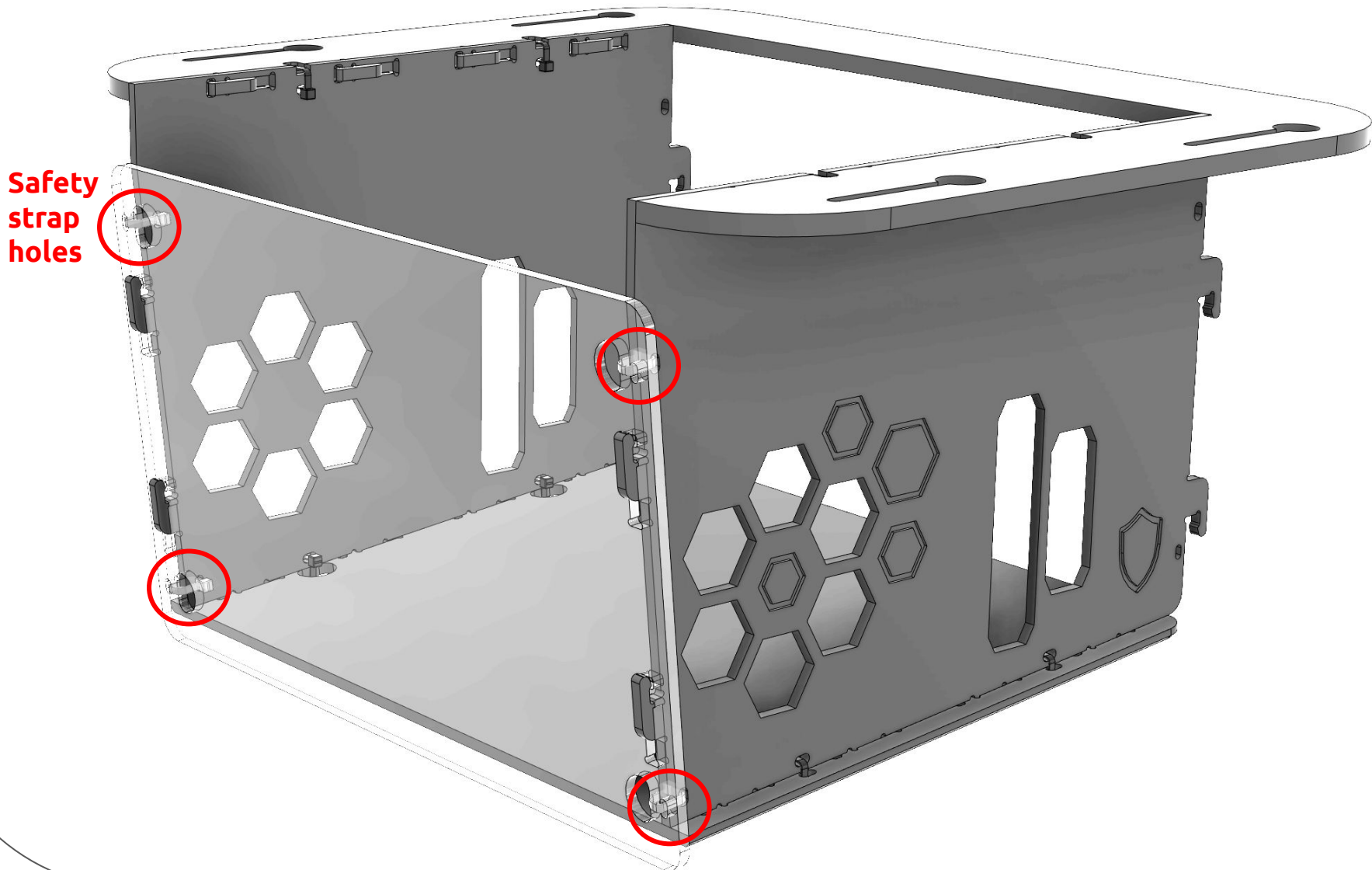


8. Push faceplate down and lock into place with hooks. **Some light** force may be needed to lock plates into place.



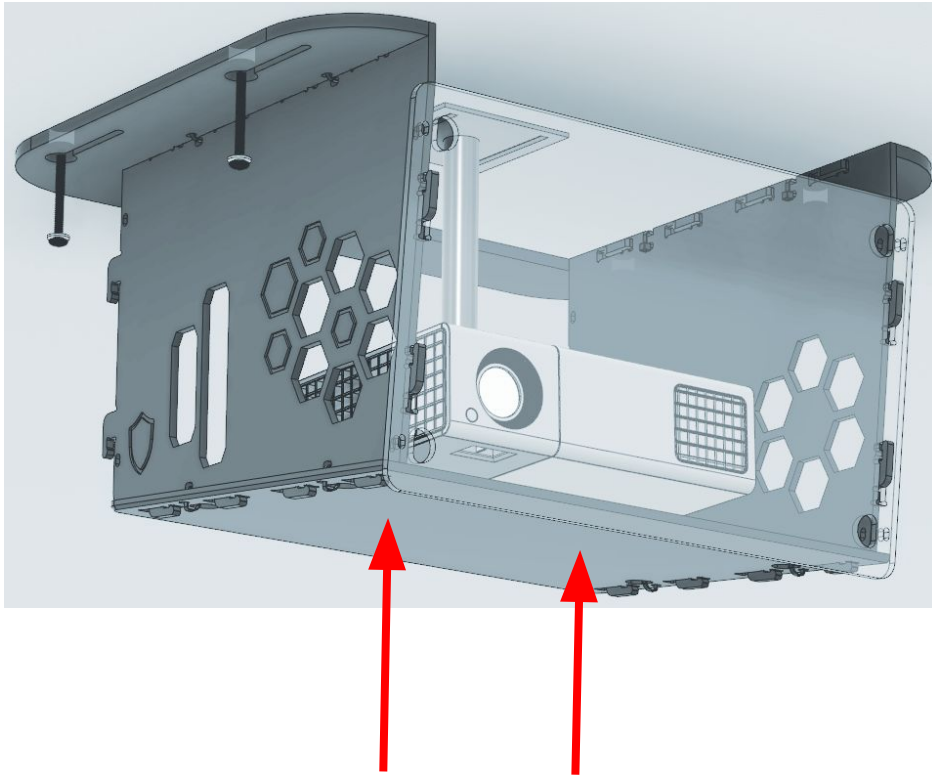
# Secure Safety Straps to Faceplate and Side Plates

9. Add 4 x safety straps to Faceplate and Sides. Trim off tails.

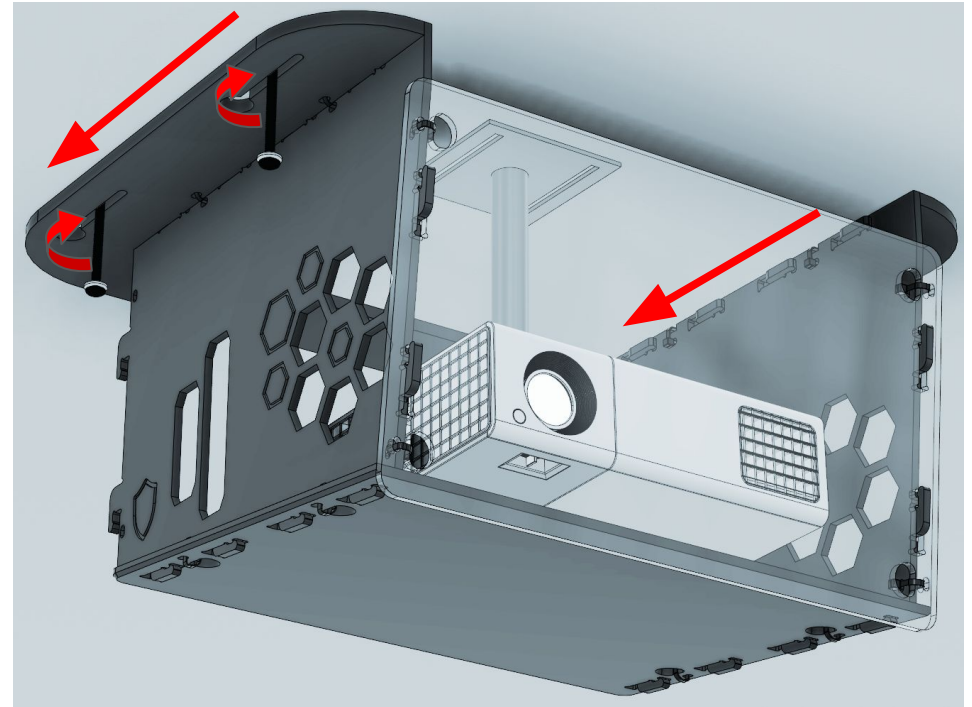


# Hang ProjectorShield™

10. Lift partially built ProjectorShield™ up around projector and feed the pre-hung bolts through passthrough holes in Ceiling Bracket.

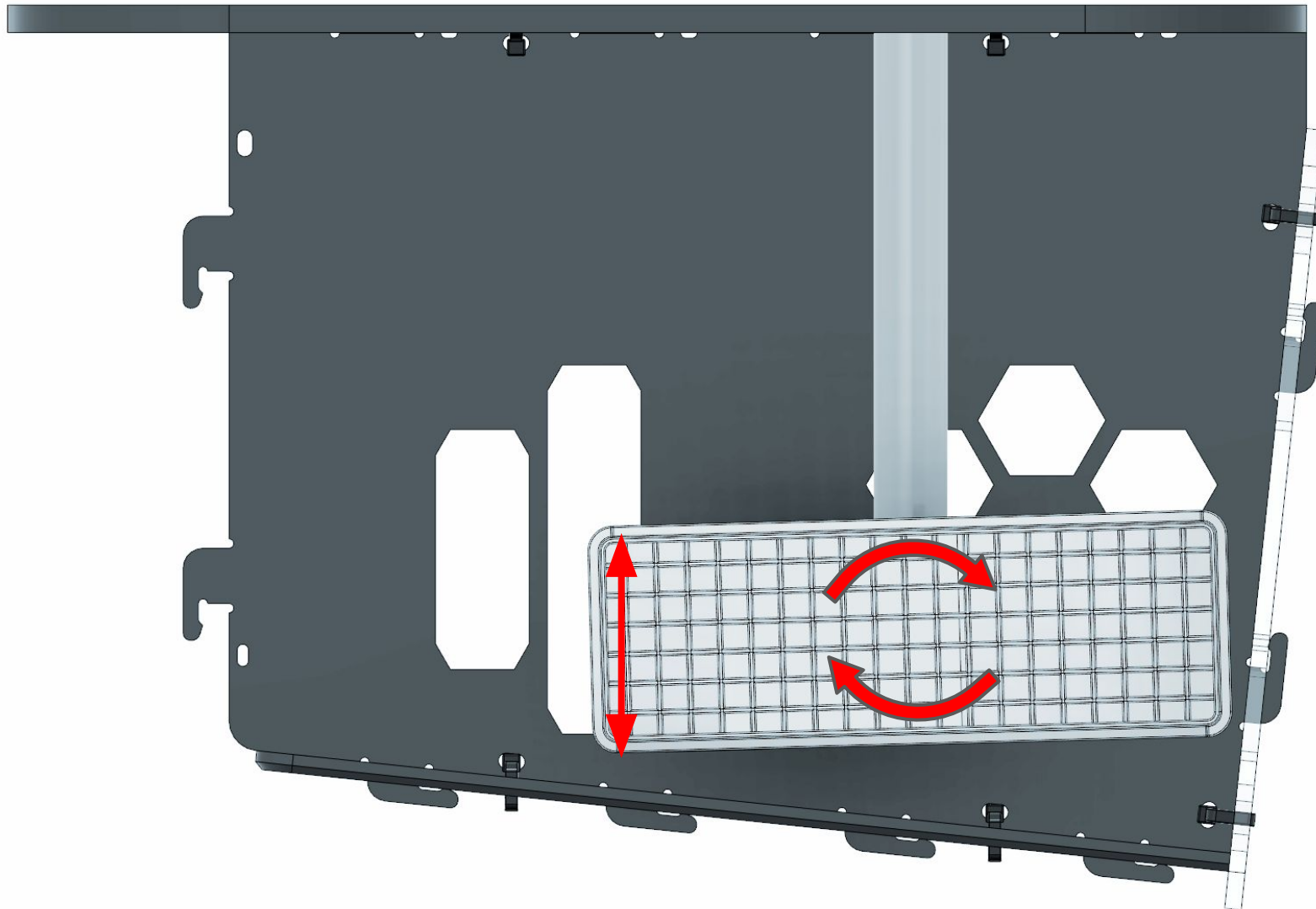


11. Slide ProjectorShield™ backwards, bringing faceplate close to lens of projector. Tighten bolts and secure ProjectorShield™ to ceiling.



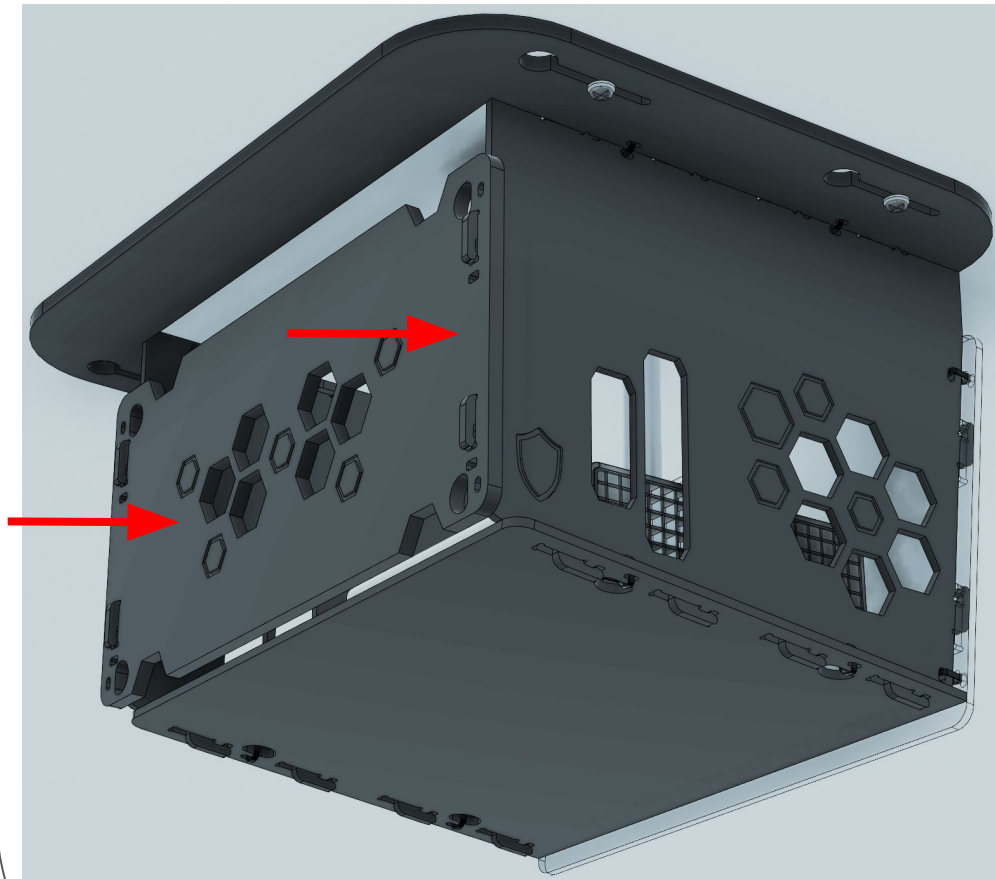
# Adjust Projector inside Projector Shield

12. Through the open back of the ProjectorShield™, plug in power and video cables and adjust your projector image to fit to your screen. Be sure to thoroughly secure your projector in place.

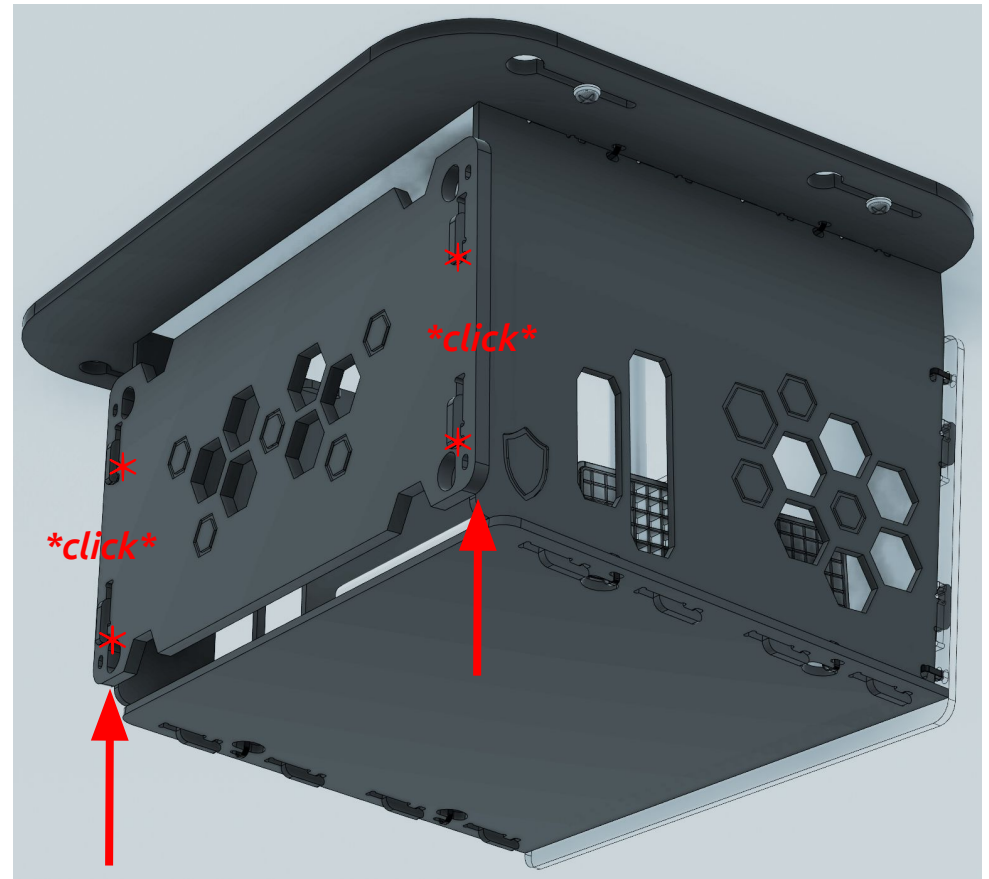


# Attach Back Plate

13. Press back plate onto back hooks.

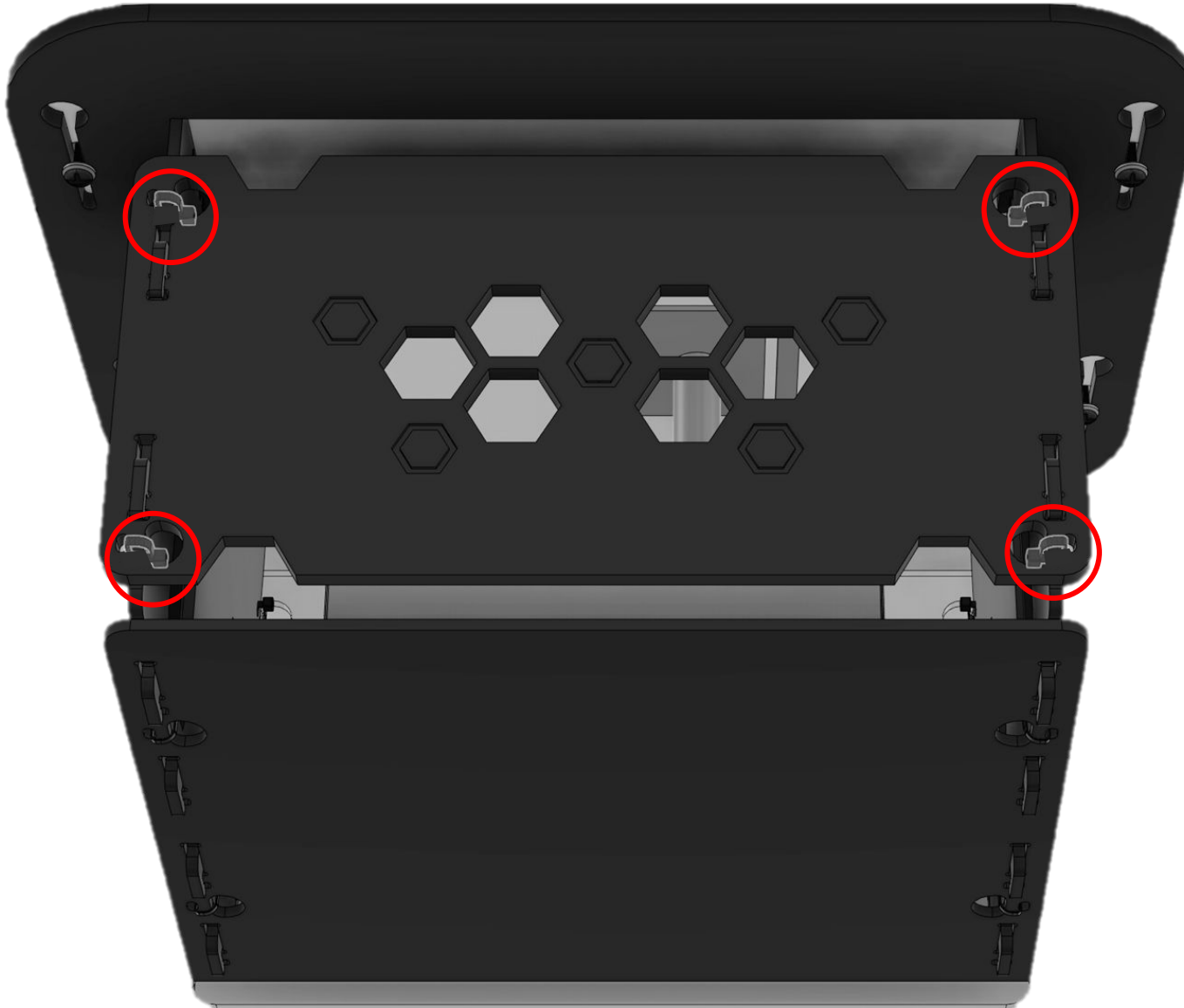


14. Push back plate up and lock into place with hooks. **Some light** force may be needed to lock plates into place.



# Secure safety straps to Back Plate and Side Plates

15. Add 4 x safety straps to back plate on left and right sides



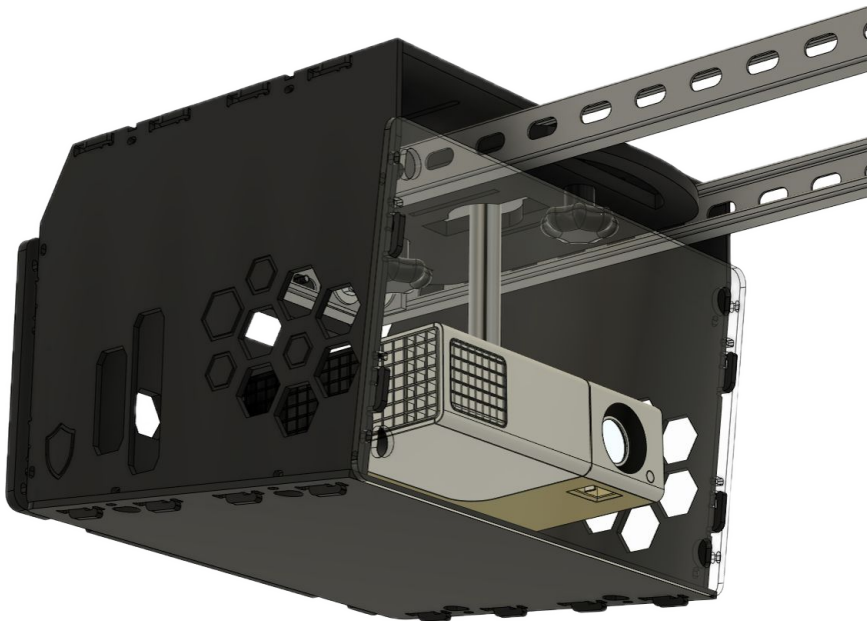


# Installation Complete!





**Ceiling Mount  
instruction begins**  
[Page 3](#)



**SkyRailPlus™  
instruction begins**  
[Page 20](#)



# ProjectorShield™ for SkyRailPlus™ Parts List

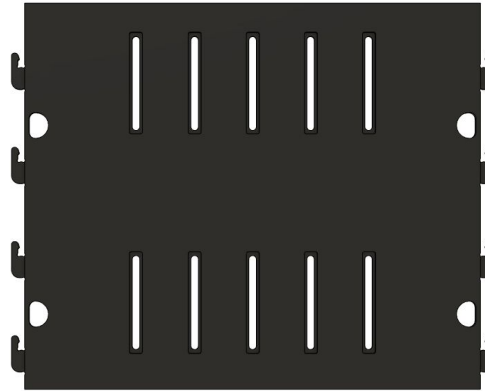
## Parts:

- Top Plate
- Bottom Plate
- Left & Right Side Plates
- Back Plate
- Clear Faceplate

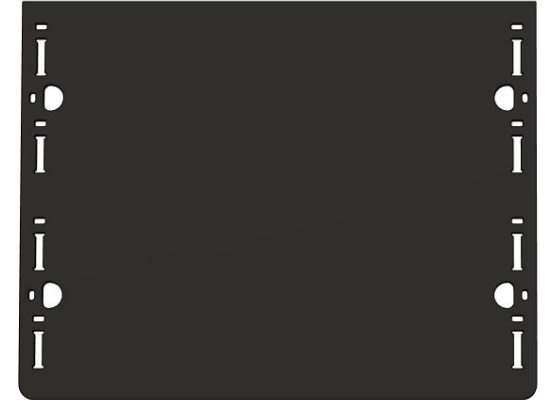
## Hardware:

- 2 x 1/4-20 Hex Nuts
- 2 x 2" long 1/4-20 Knobs

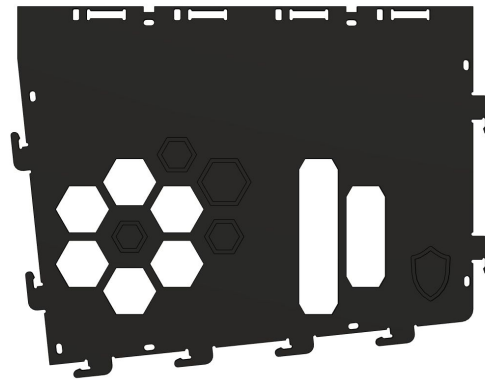
Top



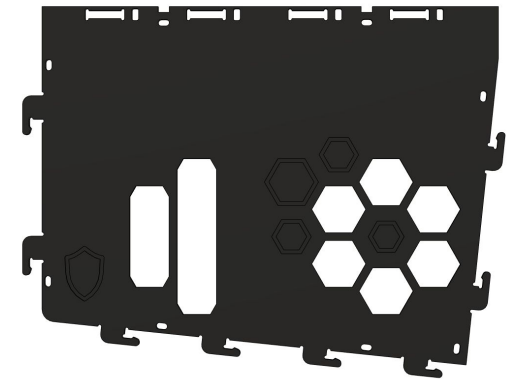
Bottom



Left



Right



Back

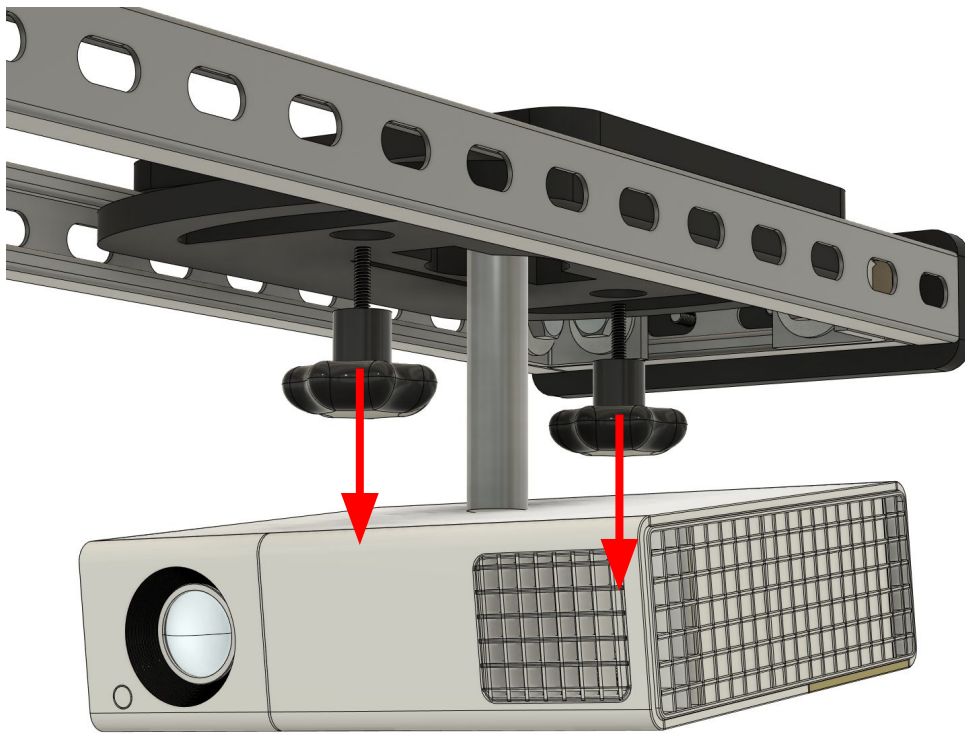


Front

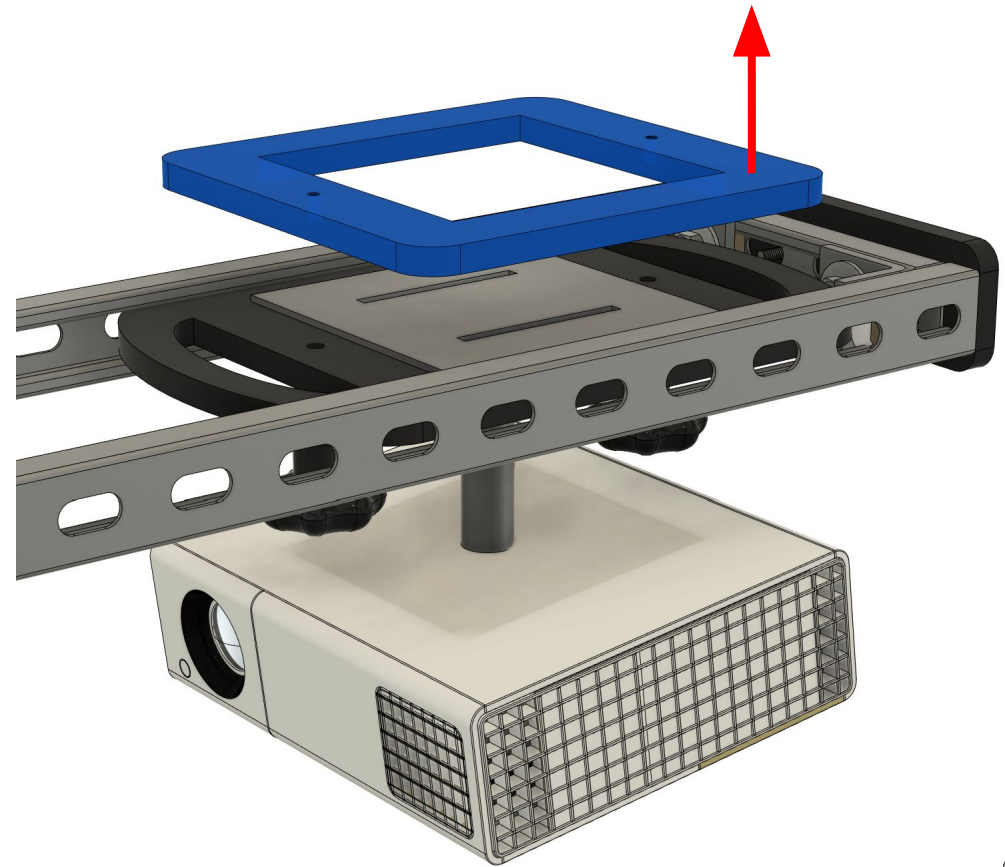


# Prepare SkyRailPlus™ (for previous SkyRailPlus™ owners **ONLY**)

1. Remove previously installed knobs from sliding plate assembly

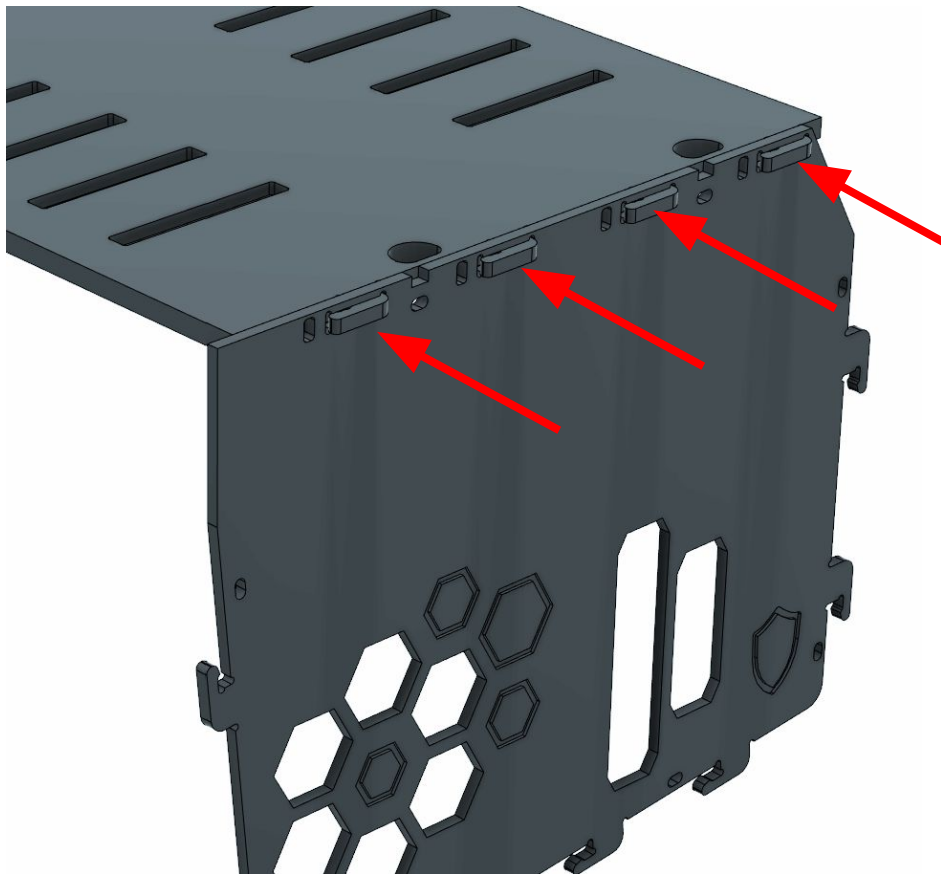


2. Remove top plate. This will not be needed with the ProjectorShield™.

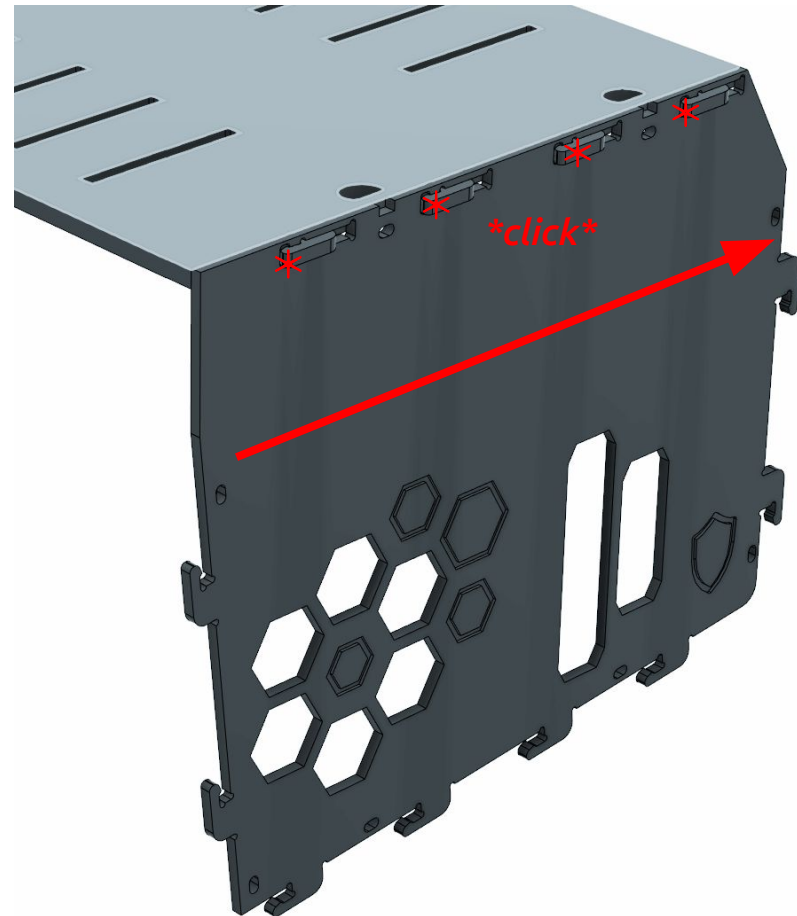


# Attach Side Plates to Top Plate

3. Insert hooks into Side Plate with hooks facing forward.



4. Push Side Plate backwards until hooks lock into place. **Some light** force may be needed to lock plates into place.

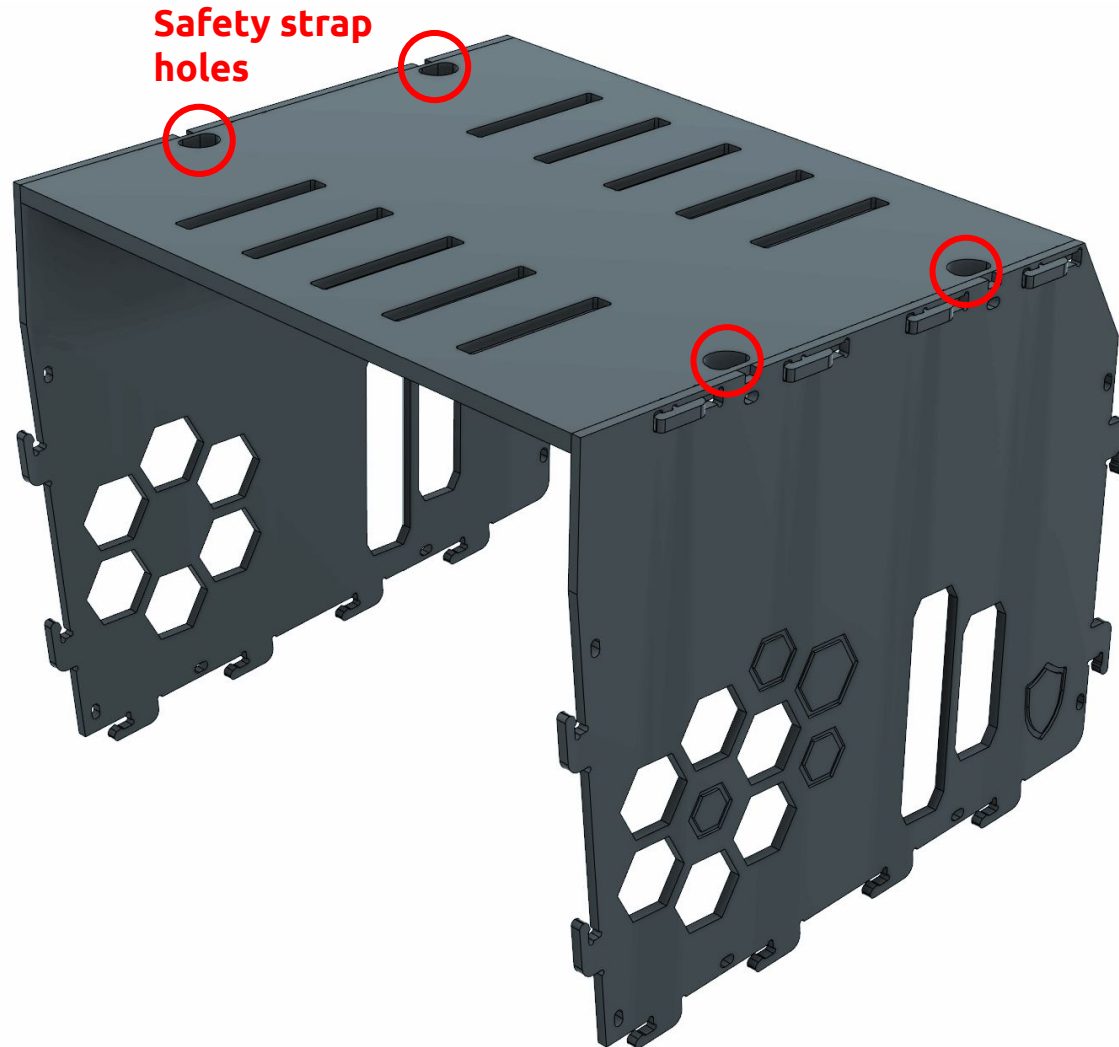


Repeat and attach Side Plates to both sides

# Secure safety straps to Top and Side Plates

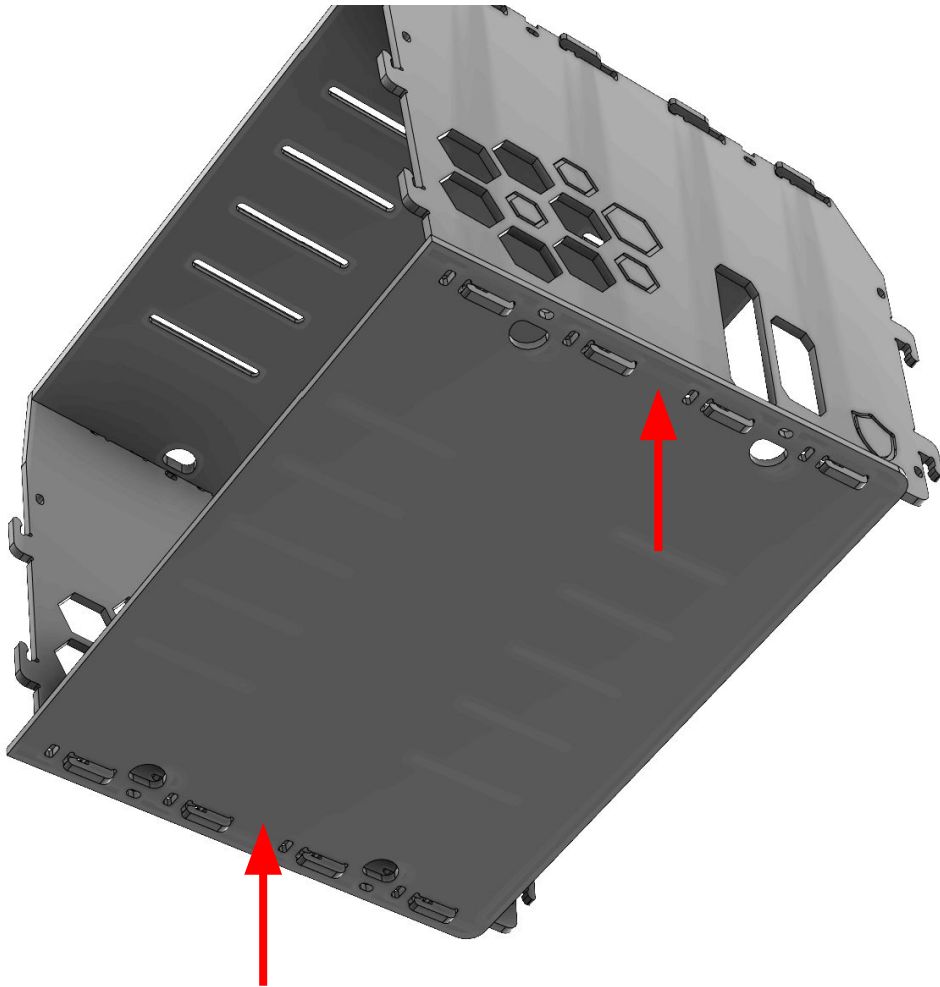
*Zippering safety straps are used as an extra level of protection to keep the ProjectorShield™ held together in case of a catastrophic damaging event.*

5. Add 4 x safety straps to left and right side plates. Trim off tails.

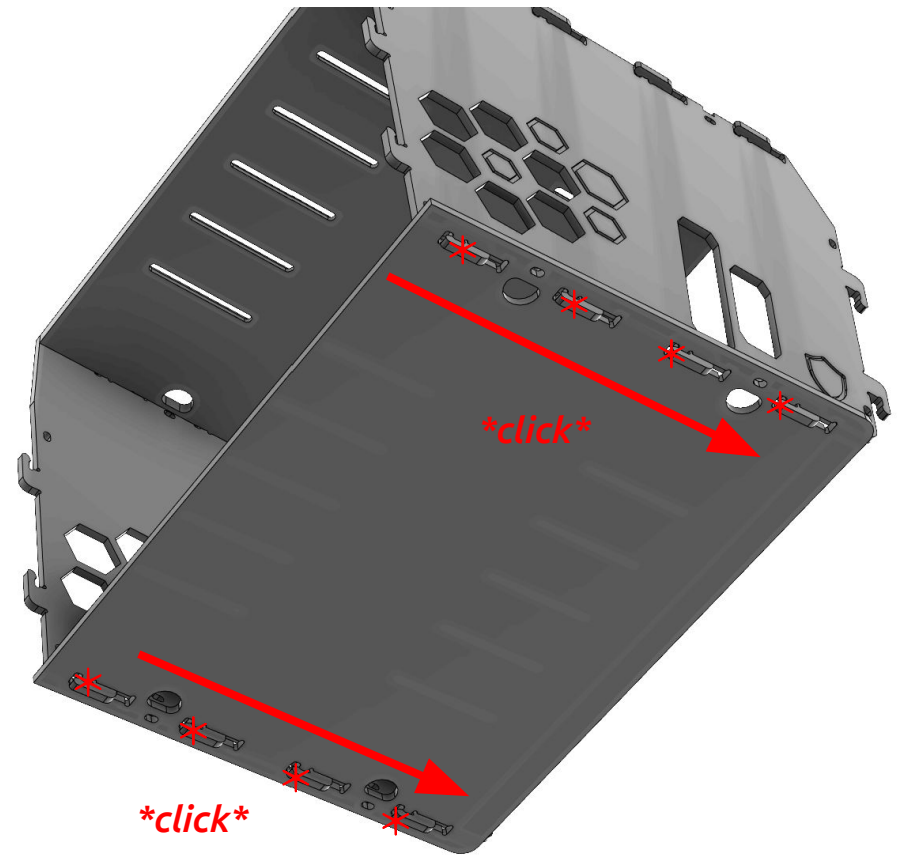


# Attach Bottom Plate

6. Attach Bottom Plate to hooks on bottom of Side Plates.



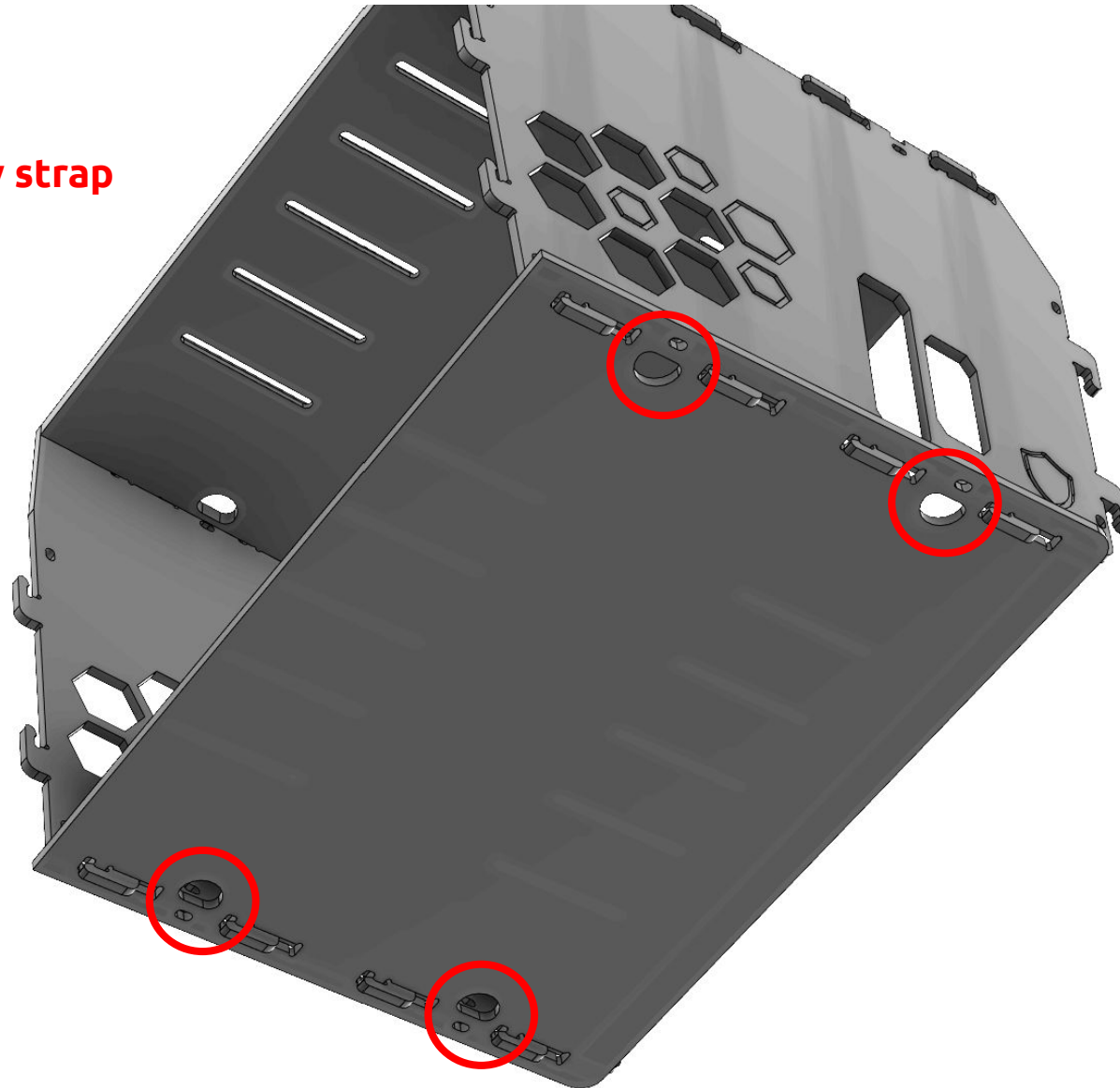
7. Push Bottom Plate backwards until hooks lock into place. **Some light** force may be needed to lock plate into place.



# Secure safety straps to Bottom and Side Plates

8. Add 4 x safety straps to left and right side plates and bottom plate. Trim off tails.

**Safety strap holes**

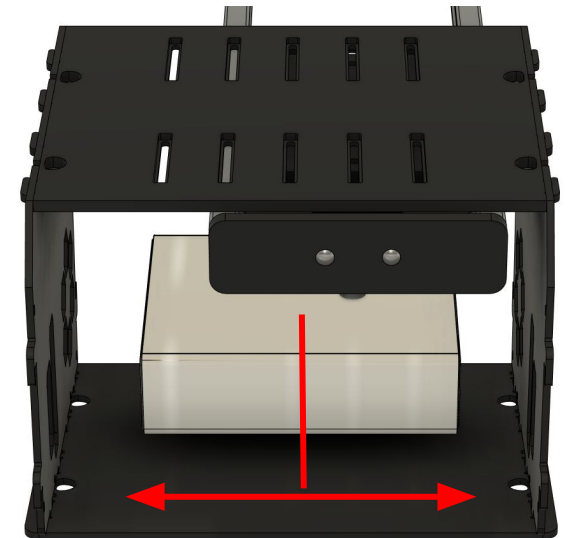
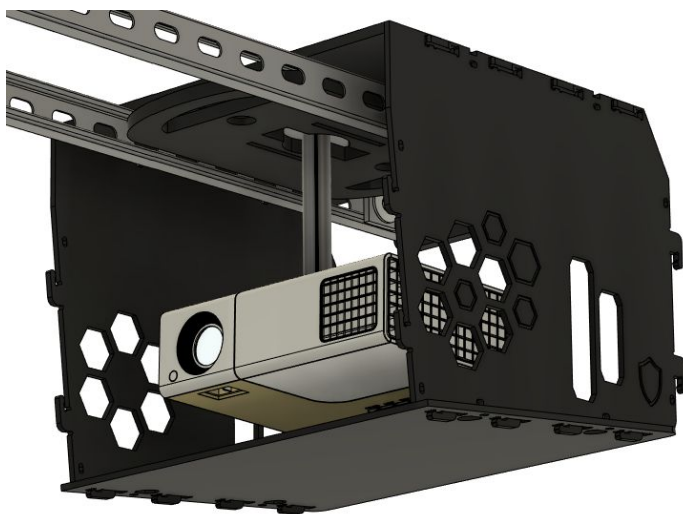
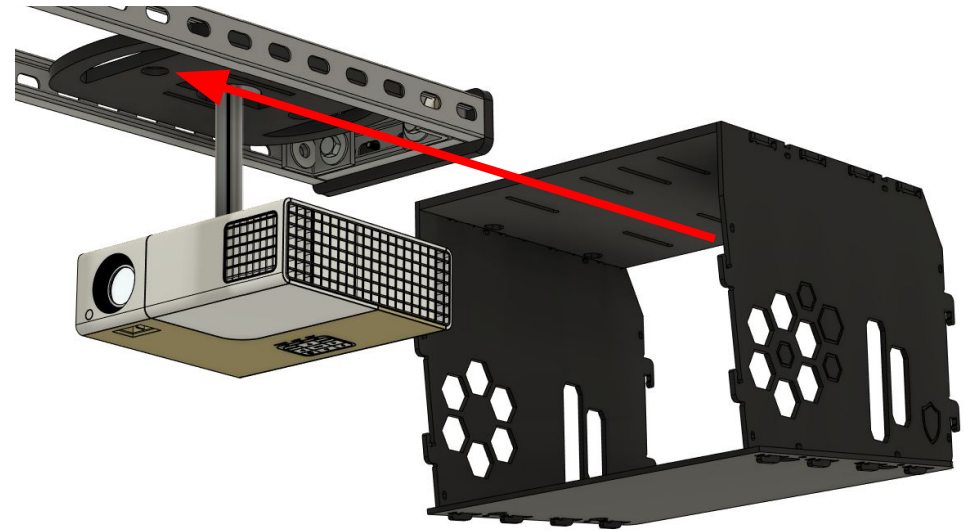




# Mount Partial ProjectorShield™ Enclosure to SkyRailPlus™

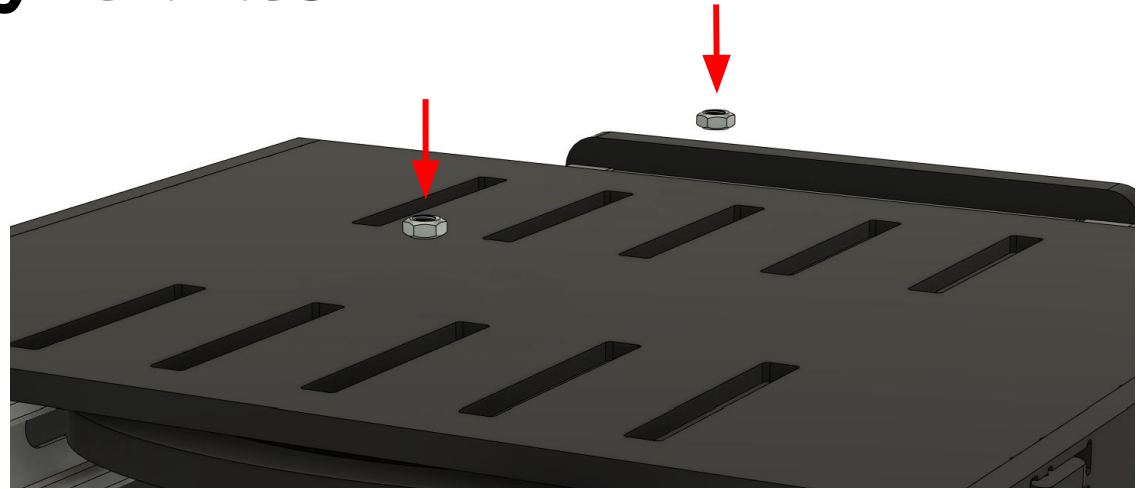
9. Before attaching clear faceplate or backplate, bring the partially built ProjectorShield™ Enclosure over and around the projector.

Center the ProjectorShield™ Enclosure on projector using the different slots in Top Plate.



# Mount Partial ProjectorShield™ Enclosure to SkyRailPlus™

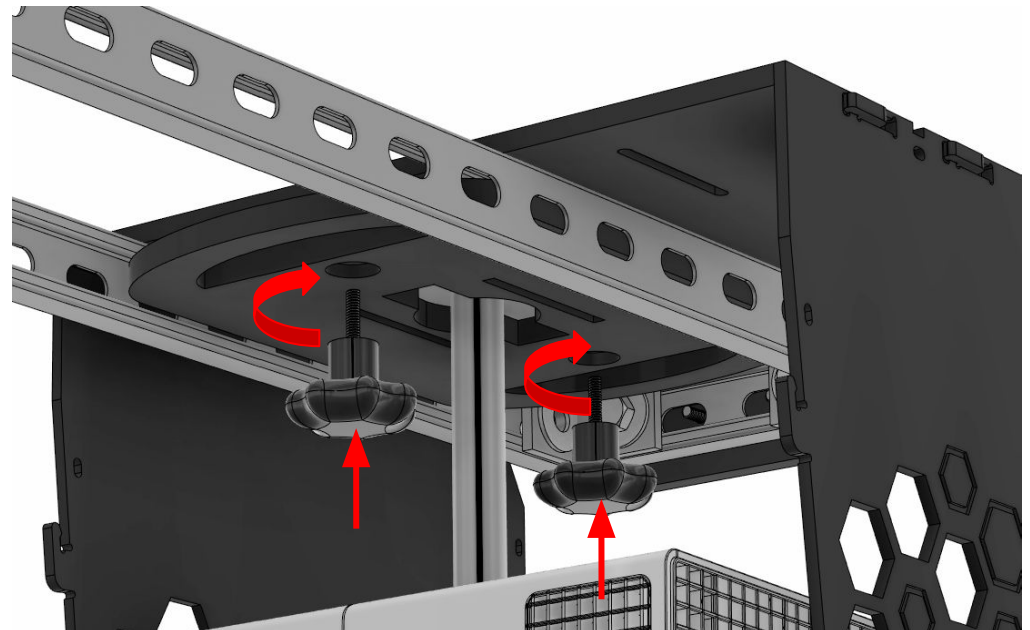
10. After centering the ProjectorShield™ on the projector, insert the 2x included 1/4-20 Hex Nuts into the closest slots in Top Plate.



11. Thread knobs through the projector sliding tray into the 1/4-20 Hex Nuts.

## **DO NOT OVER TIGHTEN.**

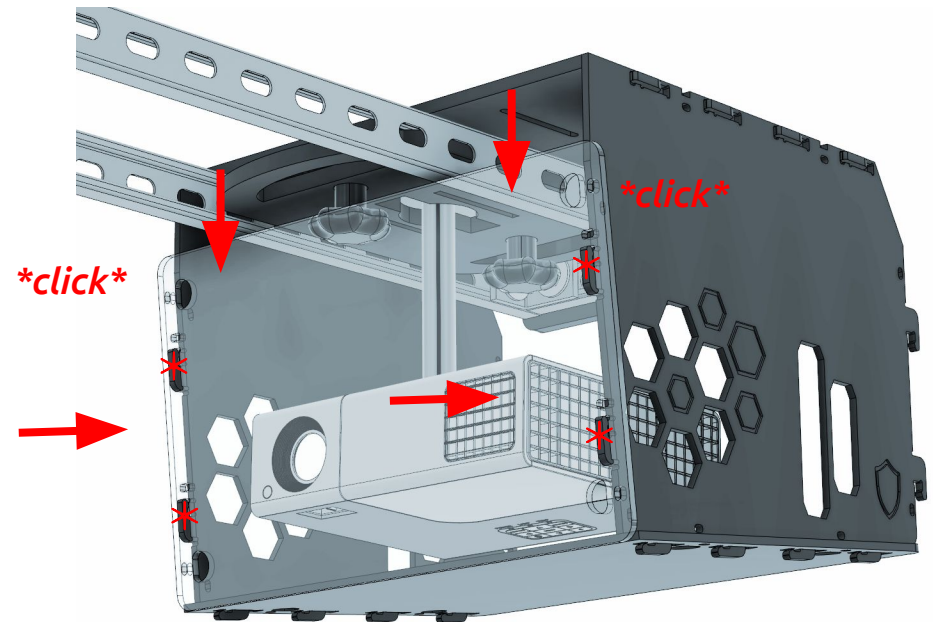
Knobs should allow unit to slide forwards and backwards with some resistance.



# Attach Clear Faceplate

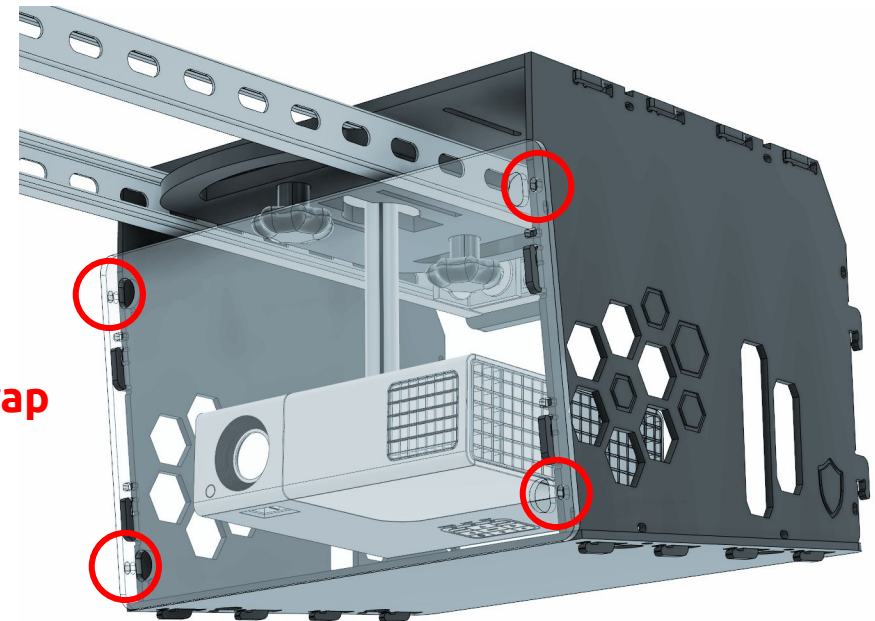
12. Carefully attach the clear faceplate onto hooks on the front of your ProjectorShield™.

Push faceplate down and lock into place with hooks. **Some light** force may be needed to lock plates into place.



13. Add 4 x safety straps to Faceplate and Sides. Trim off tails.

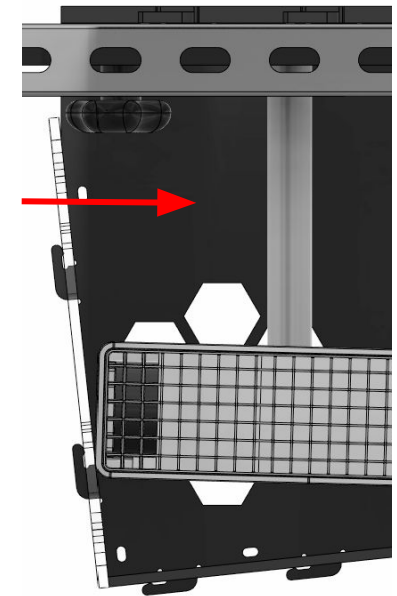
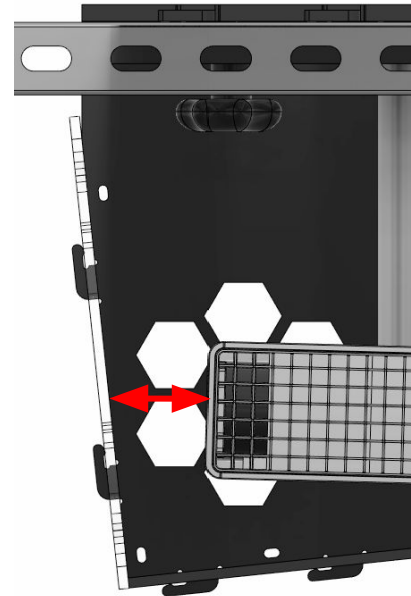
Safety strap holes



# Adjust Projector

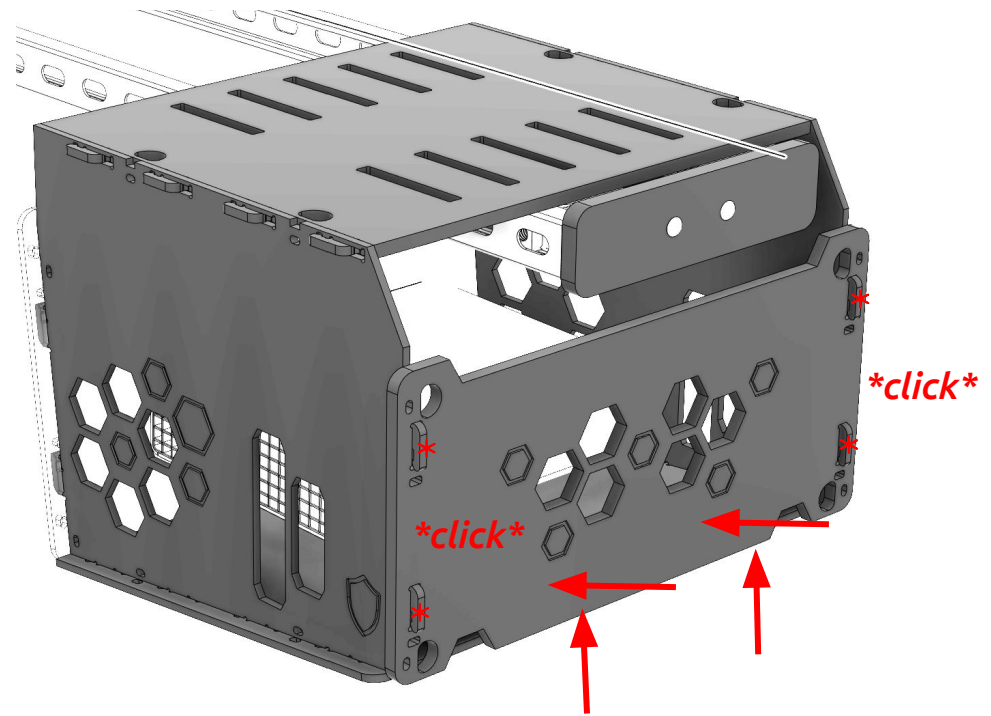
14. **Adjust** projector position for the best image fit for your enclosure.

**Next** using the slots in the Top Plate, slide the ProjectorShield™ as close as possible to the lens of the projector.

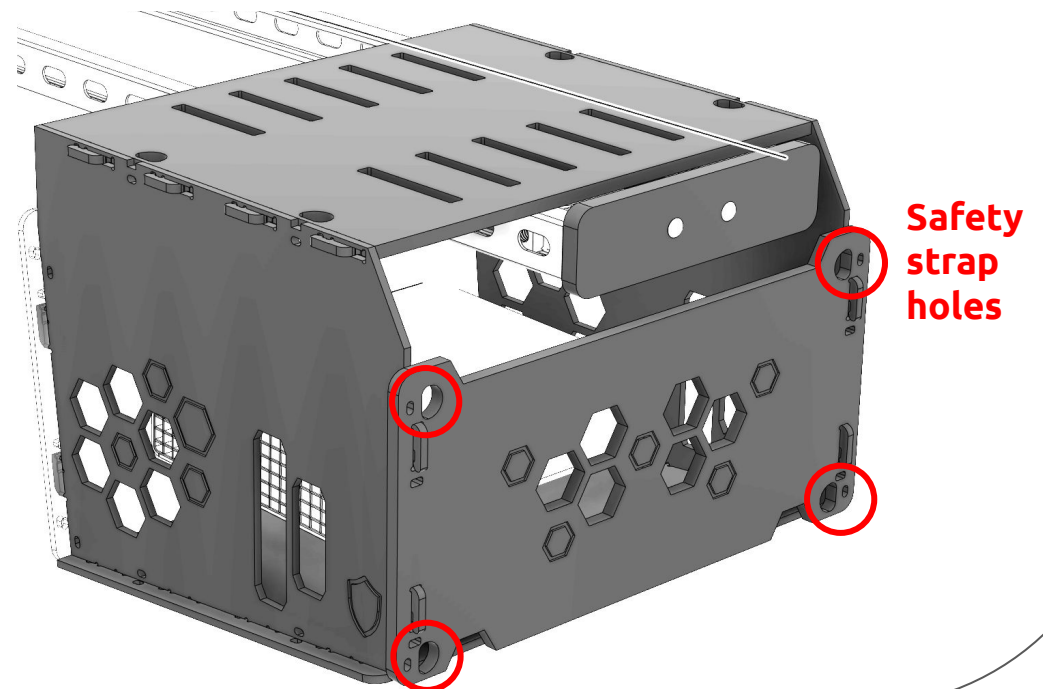


# Attach Back Plate

15. Press back plate onto back hooks, push up and lock into place. **Some light** force may be needed to lock plates into hooks.



16. Add 4 x safety straps to back plate and Sides. Trim off tails.



# Installation Complete!

