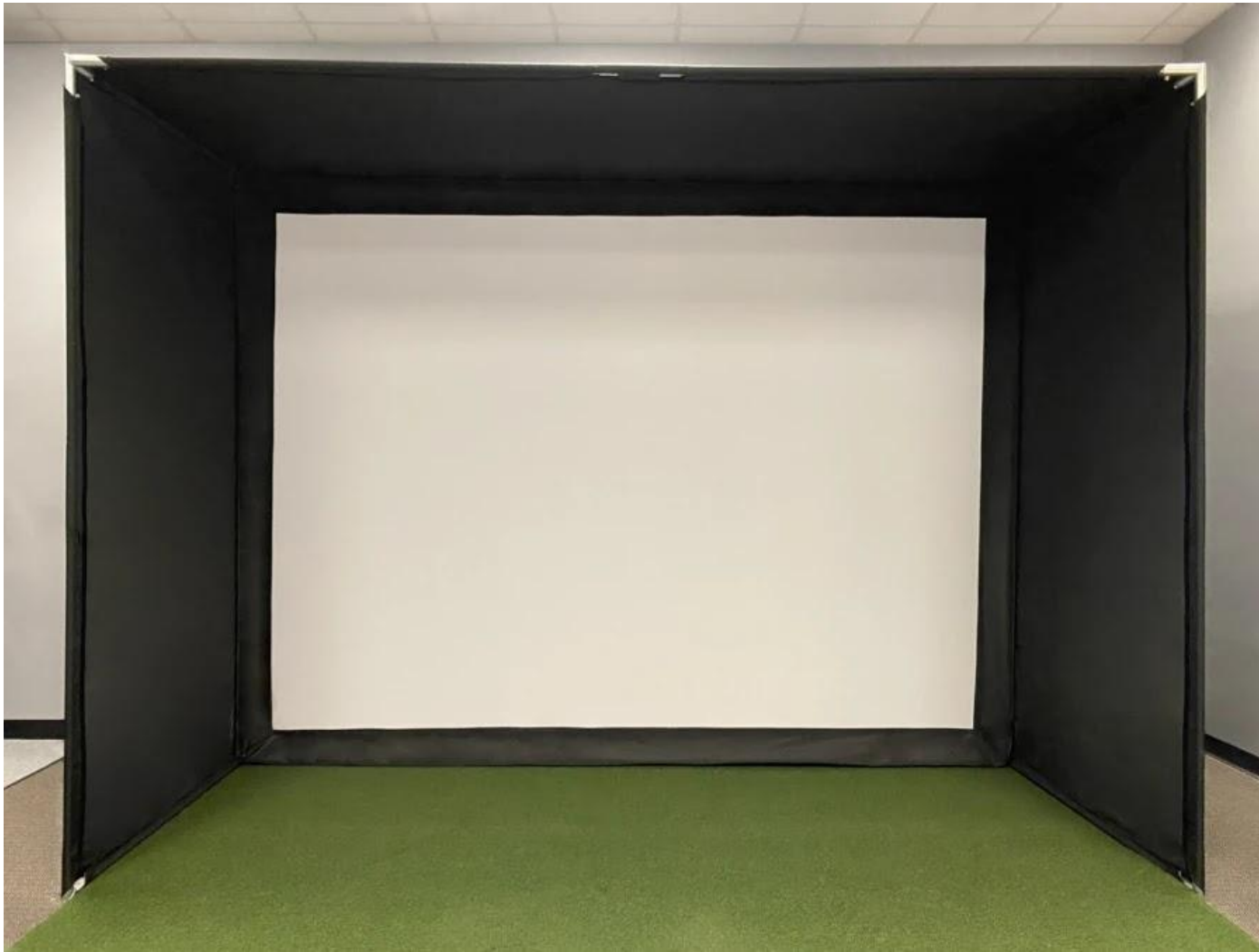


DIY Bay™ Installation Guide

AllSportSystems®



10/20/2023

IMPORTANT WARNING

USE THIS PRODUCT AT YOUR OWN RISK. NO CLAIM IS MADE AS TO ITS SAFETY, FITNESS, OR RELIABILITY FOR ANY PURPOSE. HITTING GOLF BALLS IN AN INDOOR ENVIRONMENT IS EXTREMELY DANGEROUS! ALWAYS EXERCISE CAUTION WHEN USING YOUR SYSTEM. WE RECOMMEND HITTING 'ALMOST GOLF' BALLS OR SIMILAR LIGHTWEIGHT GOLF BALLS FOR INCREASED SAFETY. NEVER SWING A GOLF CLUB IN CLOSE PROXIMITY TO PETS OR PEOPLE. ALWAYS STAND AS CLOSE AS POSSIBLE TO THE HITTING BAY TO MINIMIZE THE RISK OF STRAY SHOTS FLYING OUTSIDE THE ENCLOSURE. NEVER ALLOW ANYONE TO STAND IN FRONT OF YOU, OR ON EITHER SIDE OF THE ENCLOSURE WHILE YOU ARE HITTING!

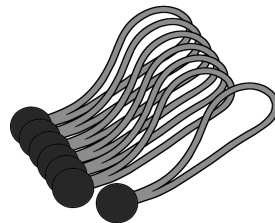
DIY Bay Parts List

Fabric Parts:

- 1 x Black Fabric Wrapper
- 2 x Black Pole Sleeves
- 1 x Impact Screen
- 4 x Screen/Foam Trim Panels
- 8 x Foam Inserts (optional)

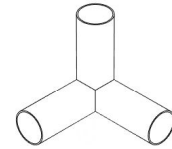
Additional Hardware:

- Ball Bungee Strap

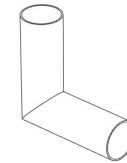


Connector Kit:

- 6 x 3-Way Connectors

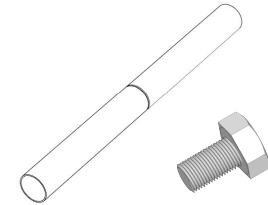


- 2 x 90° Connector



If Wider than 10ft:

- 3 x Couplers +
6 x hex bolts

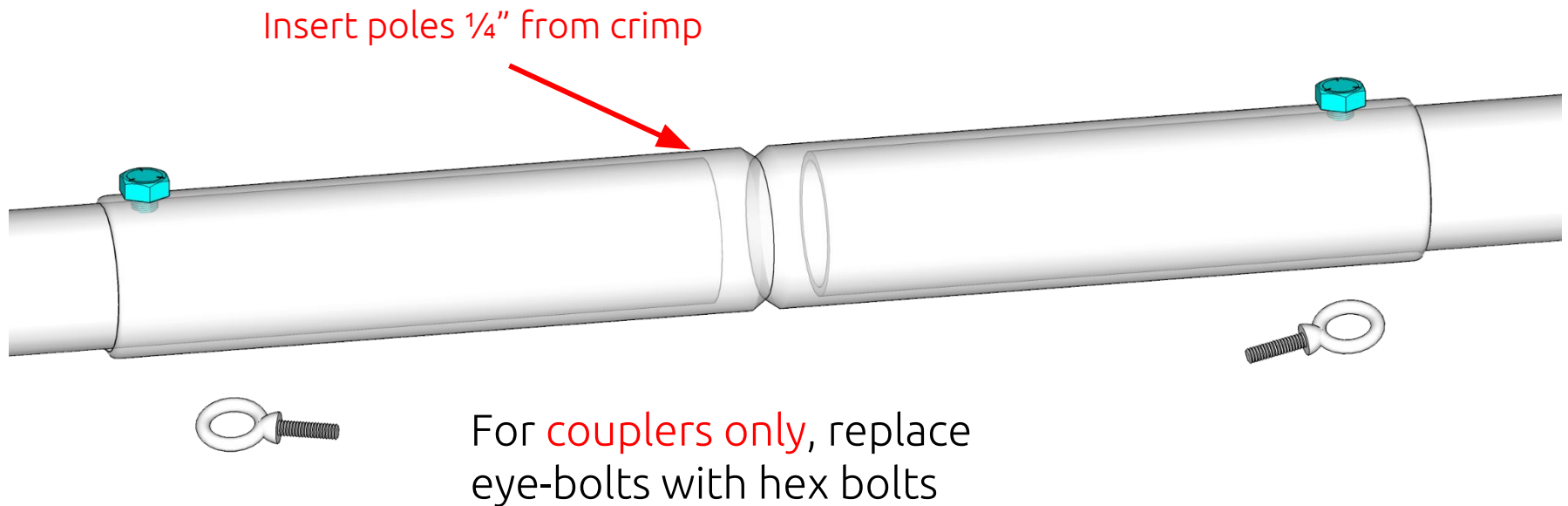


EMT Pole Kit (optional upgrade):

- 8 x Height EMT Poles +
4 x couplers + 8 x hex bolts
- 6 x Width EMT Poles +
3 x couplers + 6 hex bolts
- 4 x Depth EMT Poles

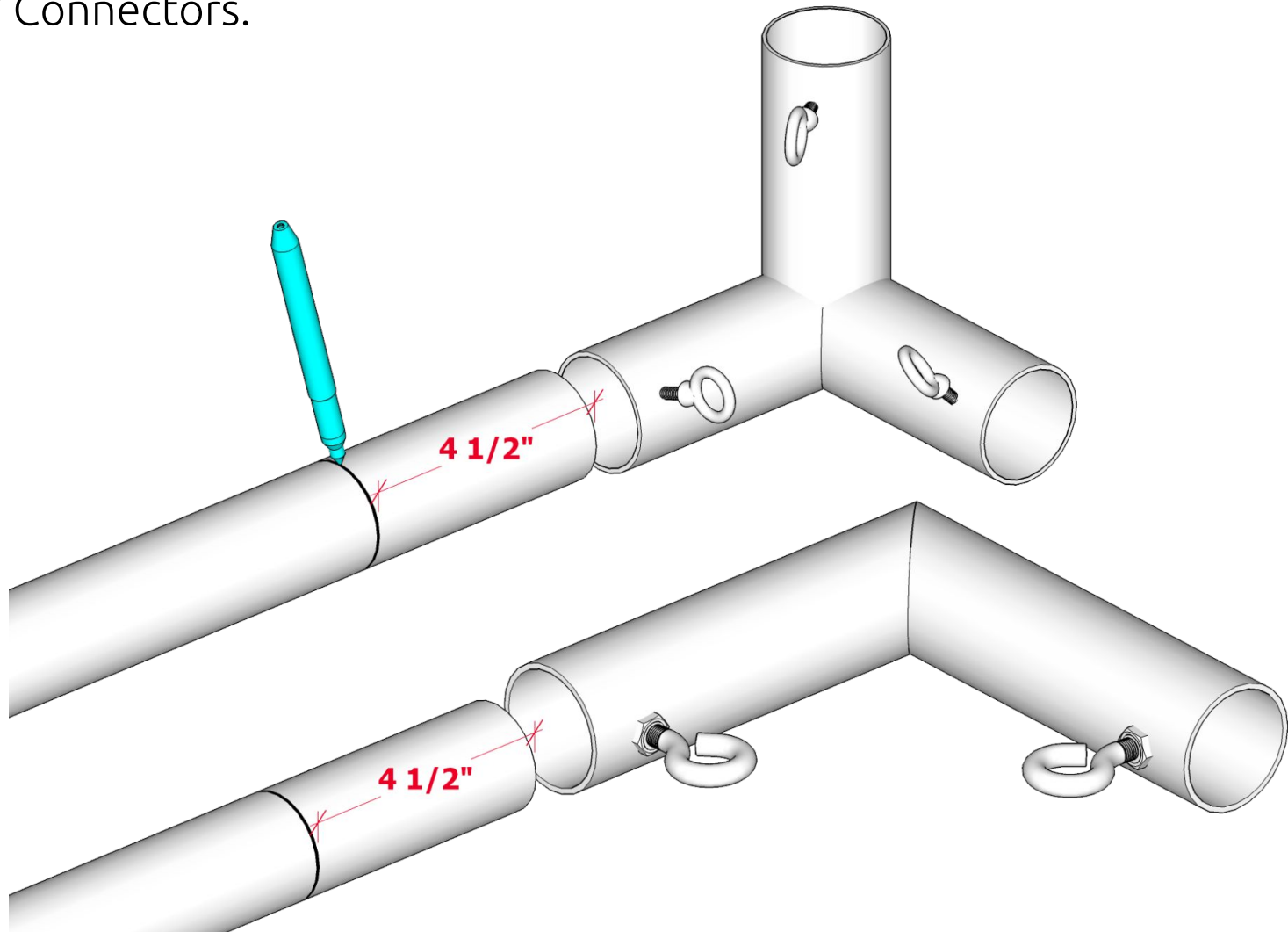
Couplers

- Replace eye-bolts with hex bolts on all couplers.
 - Do not insert pole all the way into couplers. Pull pole about 1/4" back from the crimp point.
- ⚠ Forcing poles all the way to crimp may cause poles to exit coupler at an angle.



Corner Connectors

- Mark and insert poles 4-½" into 3-Ways and 90° Connectors.



DIY Bay 1" EMT Pole Cutting Chart

Use this chart to purchase and cut your own EMT Poles

Actual dia 1-3/16"
(30.16 mm)

⚠ See [SkyRailPlus](#) setup guide for modified cage assembly if this upgrade is included. Note that your EMT pole count will be reduced by 2 width poles for this upgrade.

- 1" Common EMT 10-ft conduit can be purchased from a local home improvement store. Use the chart below to purchase correct quantity and cut to the proper lengths.



Bay Size	10' Poles Needed	Height	Width	Width Extension	Depth
8'H x 10'W x 5'D	9	QTY 4 Poles 7'-9"	QTY 3 Poles 9'-9"	None needed	QTY 2 Poles to 4 pieces 4'-9"
9'H x 10'W x 5'D	9	QTY 4 Poles 8'-9"	QTY 3 Poles 9'-9"	None needed	QTY 2 Poles to 4 pieces 4'-9"
9'H x 12'W x 5'D	10	QTY 4 Poles 8'-9"	QTY 3 Poles 10' (no cuts)	QTY 1 pole to 3 pieces 1'9"	QTY 2 Poles to 4 pieces 4'-9"
8'H x 13'W x 5'D	10	QTY 4 Poles 7'-9"	QTY 3 Poles 10' (no cuts)	QTY 1 pole to 3 pieces 2'9"	QTY 2 Poles to 4 pieces 4'-9"
9'H x 14'W x 5'D	11	QTY 4 Poles 8'-9"	QTY 3 Poles 10' (no cuts)	QTY 2 poles to 3 pieces 3'9"	QTY 2 Poles to 4 pieces 4'-9"
9'H x 15'W x 5'D	11	QTY 4 Poles 8'-9"	QTY 3 Poles 10' (no cuts)	QTY 2 poles to 3 pieces 4'9"	QTY 2 Poles to 4 pieces 4'-9"

Tip: If you ordered custom bay, all poles are cut 3" shorter than desired cage dimension.

Cage assembly for EMT's Purchased Locally

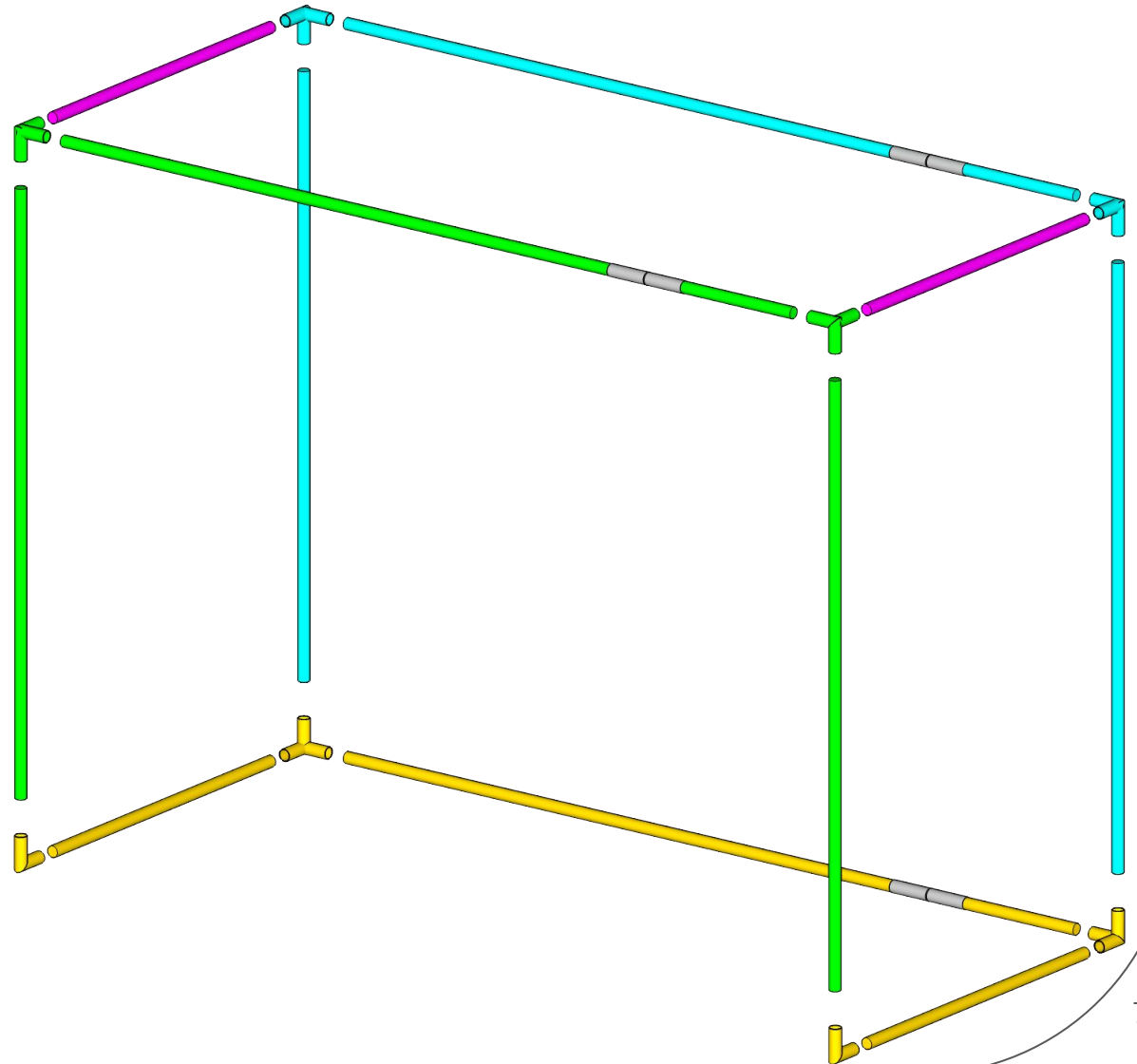
Use this diagram to assemble your cage from EMT's purchased and cut locally

⚠ See [SkyRailPlus](#) setup guide for modified cage assembly if this upgrade is included. Note that your EMT pole count will be reduced by 2 width poles for this upgrade.

1) BUILD BOTTOM	2x 3-Ways 2x 90° 2x Depth poles 1x Width pole 1x Coupler + extender*
2) BUILD REAR	2x 3-Ways 2x Height poles 1x Width pole 1x Coupler + extender*
3) BUILD DEPTH	2x Depth poles
4) BUILD FRONT	2x 3-Ways 2x Height poles 1x Width pole 1x Coupler + extender*

* Couplers + extender poles only needed for bays larger than 10ft wide.

- On each coupler replace eye-bolts with hex bolts.
- Insert poles $\frac{1}{4}$ " from the crimp in couplers.
- Insert poles $4\frac{1}{2}$ " into 3-Ways and 90° connectors.



DIY Bay 1" EMT Pole Kit Chart

This chart shows quantity and length of poles for the Precut 1" EMT Pole Kit upgrade

 See [SkyRailPlus](#) setup guide for modified cage assembly if this upgrade is included. Note that your EMT pole count will be reduced by 2 width poles for this upgrade.

Bay Size	Height Poles	Width Poles	Depth Poles
8'H x 10'W x 5'D	QTY 8 Poles 46 1/2"	QTY 6 Poles 58 1/2"	QTY 4 Poles 57"
9'H x 10'W x 5'D	QTY 8 Poles 52 1/2"	QTY 6 Poles 58 1/2"	QTY 4 Poles 57"
9'H x 12'W x 5'D	QTY 8 Poles 52 1/2"	QTY 6 Poles 70 1/2"	QTY 4 Poles 57"
8'H x 13'W x 5'D	QTY 8 Poles 46 1/2"	QTY 6 Poles 76 1/2"	QTY 4 Poles 57"
9'H x 14'W x 5'D	QTY 8 Poles 52 1/2"	QTY 6 Poles 82 1/2"	QTY 4 Poles 57"
9'H x 15'W x 5'D	QTY 8 Poles 52 1/2"	QTY 6 Poles 88 1/2"	QTY 4 Poles 57"

If custom bay, assembled pole lengths will be 3" shorter than desired cage dimension.

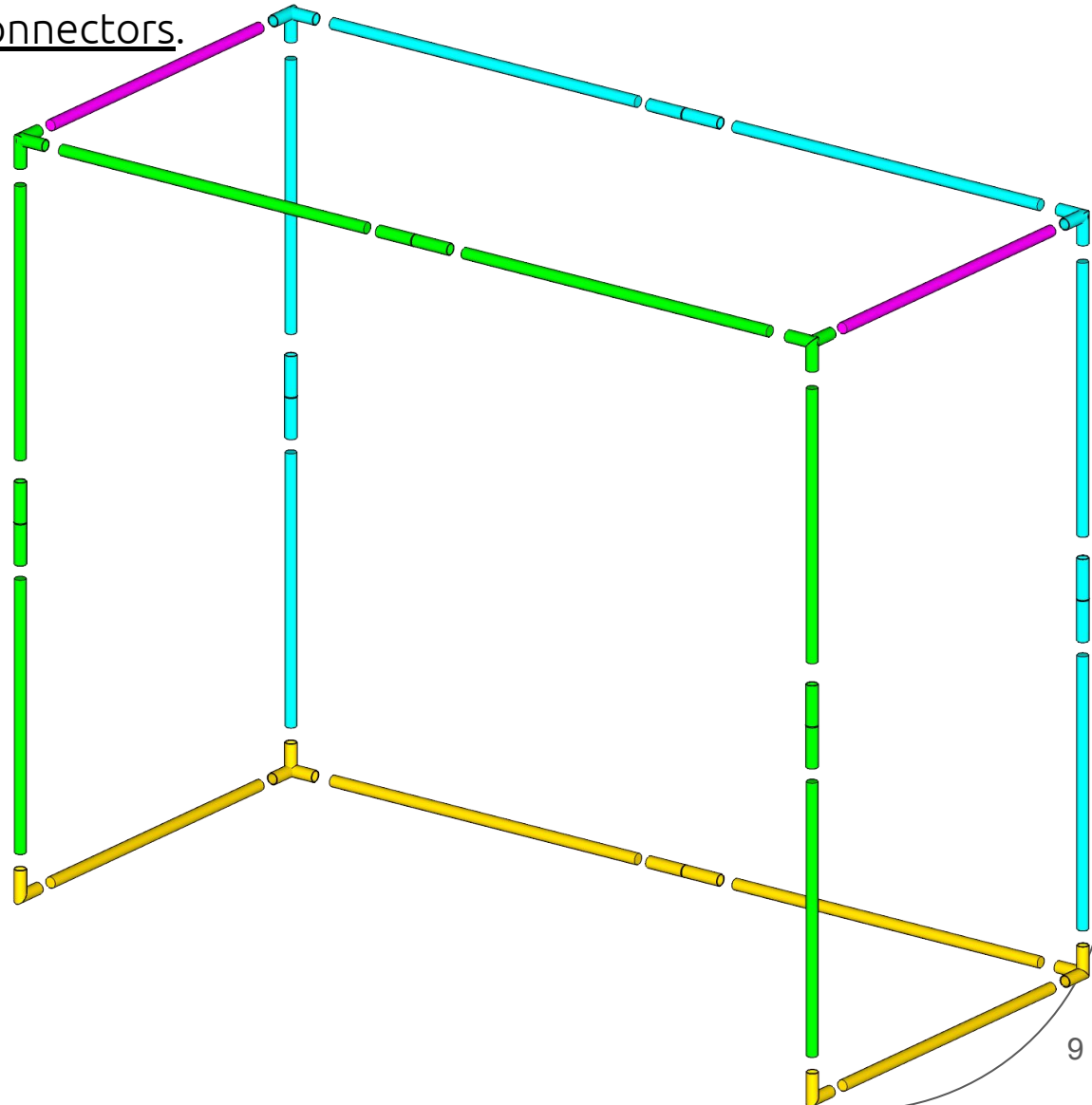
Cage assembly for EMT Pole Kit

Use this diagram to assemble your cage using the EMT Pole kit

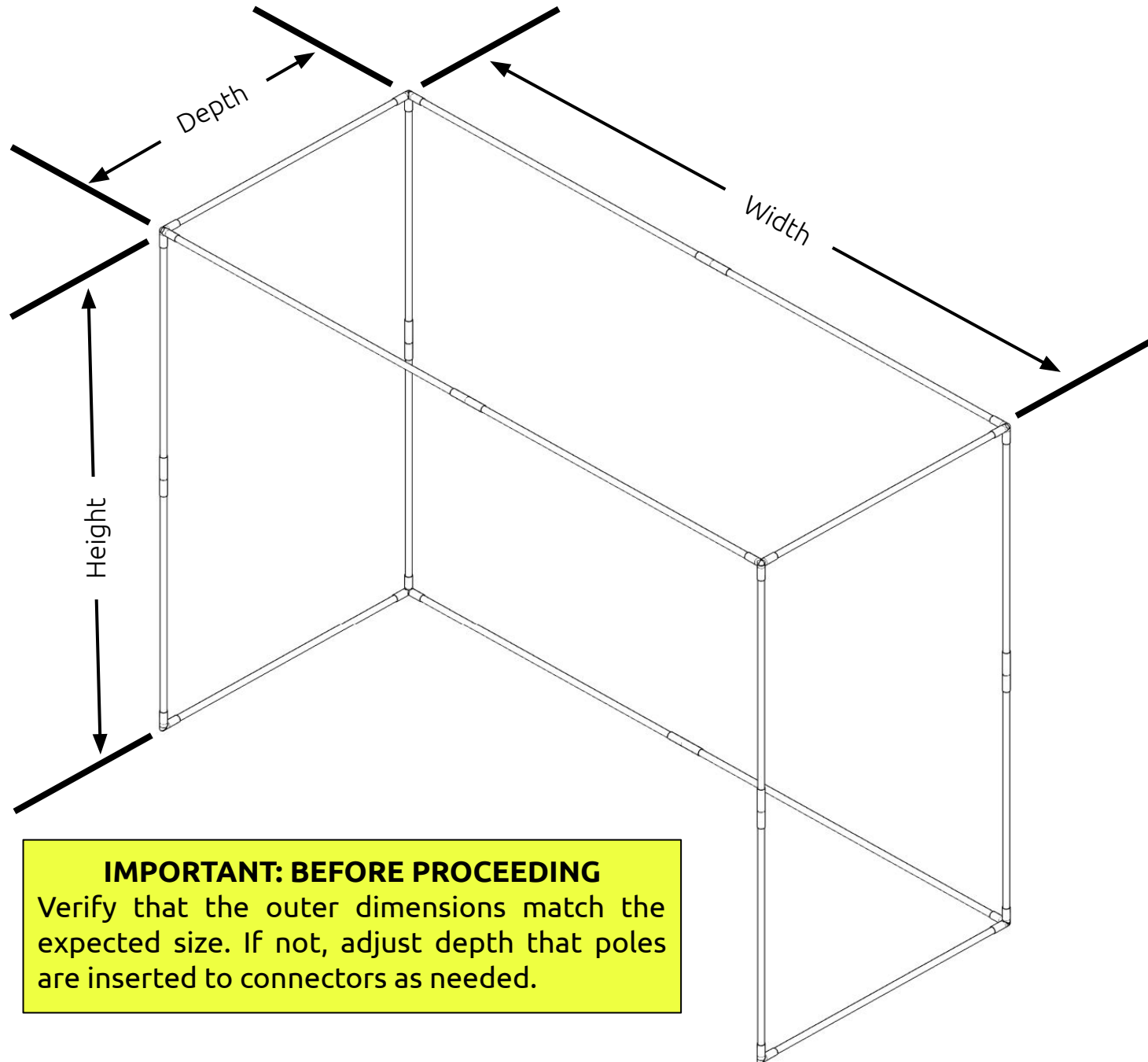
⚠ See [SkyRailPlus](#) setup guide for modified cage assembly if this upgrade is included. Note that your EMT pole count will be reduced by 2 width poles for this upgrade.

- On each coupler replace eye-bolts with hex bolts.
- Insert poles $\frac{1}{4}$ " from the crimp in couplers.
- Insert poles $4\frac{1}{2}$ " into 3-Ways and 90° connectors.

1) BUILD BOTTOM	2x 3-Ways 2x 90° 2x Depth poles 2x Width pole + coupler
2) BUILD REAR	2x 3-Ways 4x Height poles + couplers 2x Width poles + coupler
3) BUILD DEPTH	2x Depth poles
4) BUILD FRONT	2x 3-Ways 4x Height poles + couplers 2x Width poles + couplers

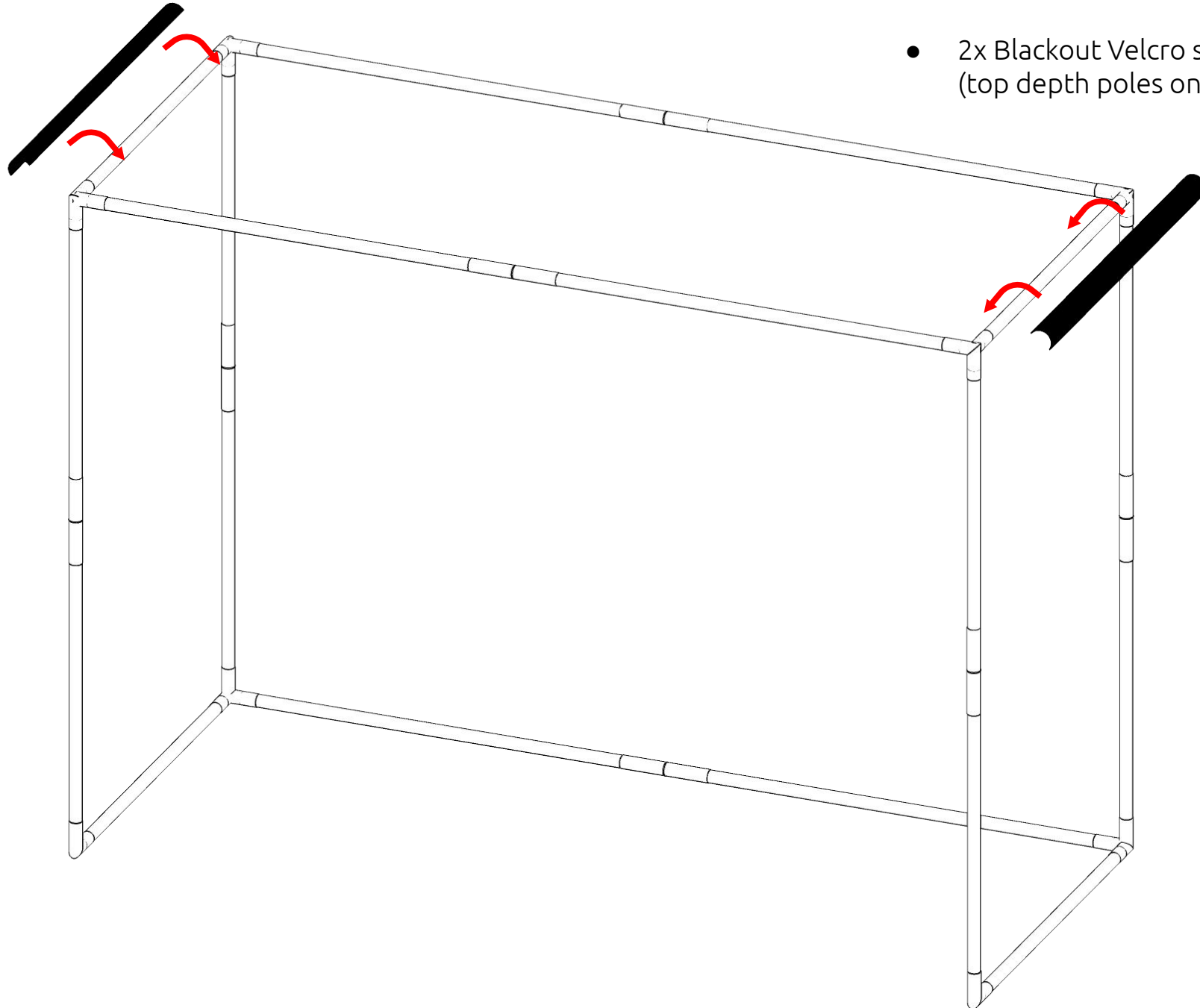


Confirm Cage Size



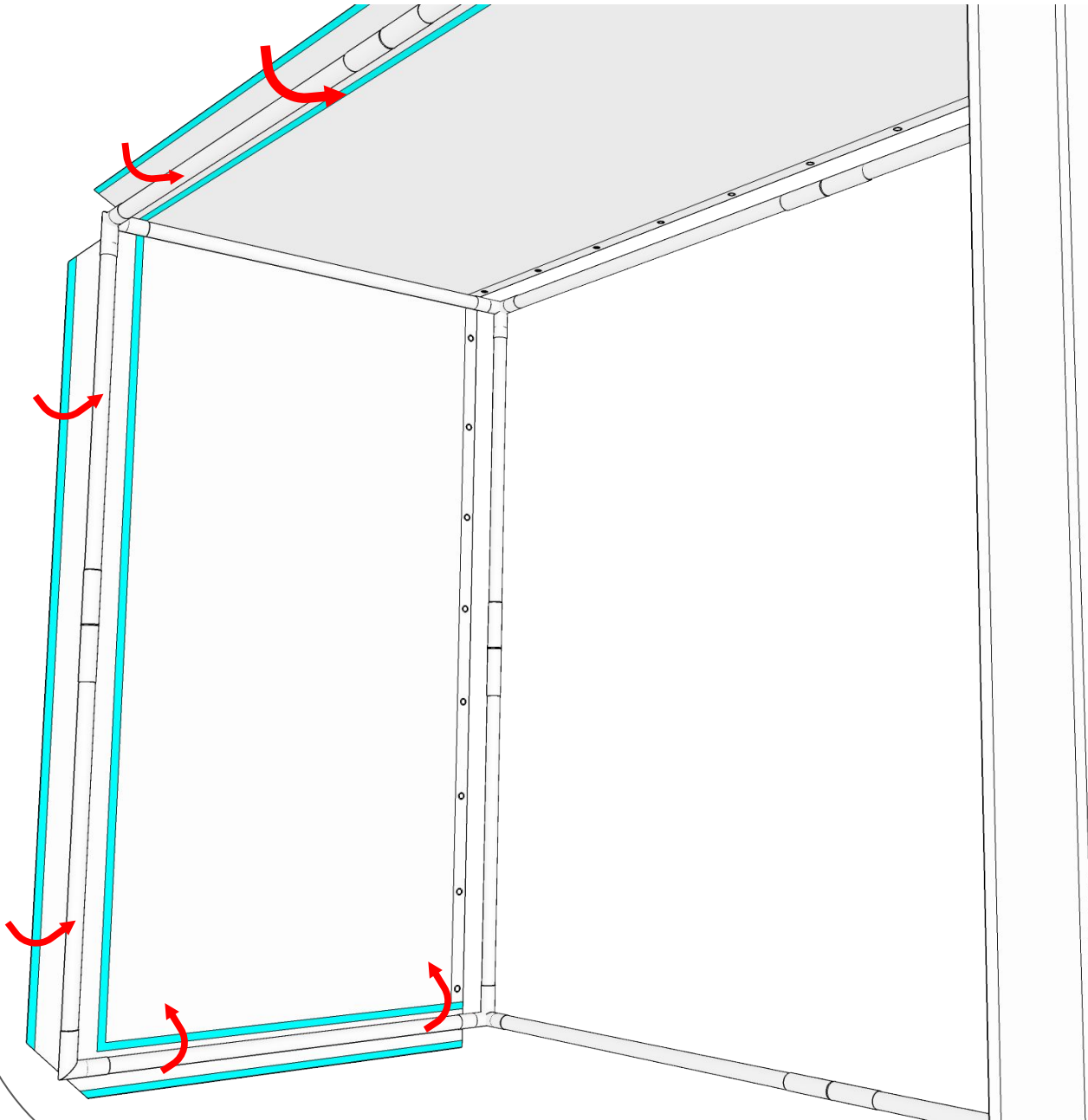
IMPORTANT: BEFORE PROCEEDING
Verify that the outer dimensions match the expected size. If not, adjust depth that poles are inserted to connectors as needed.

Add Blackout Sleeves



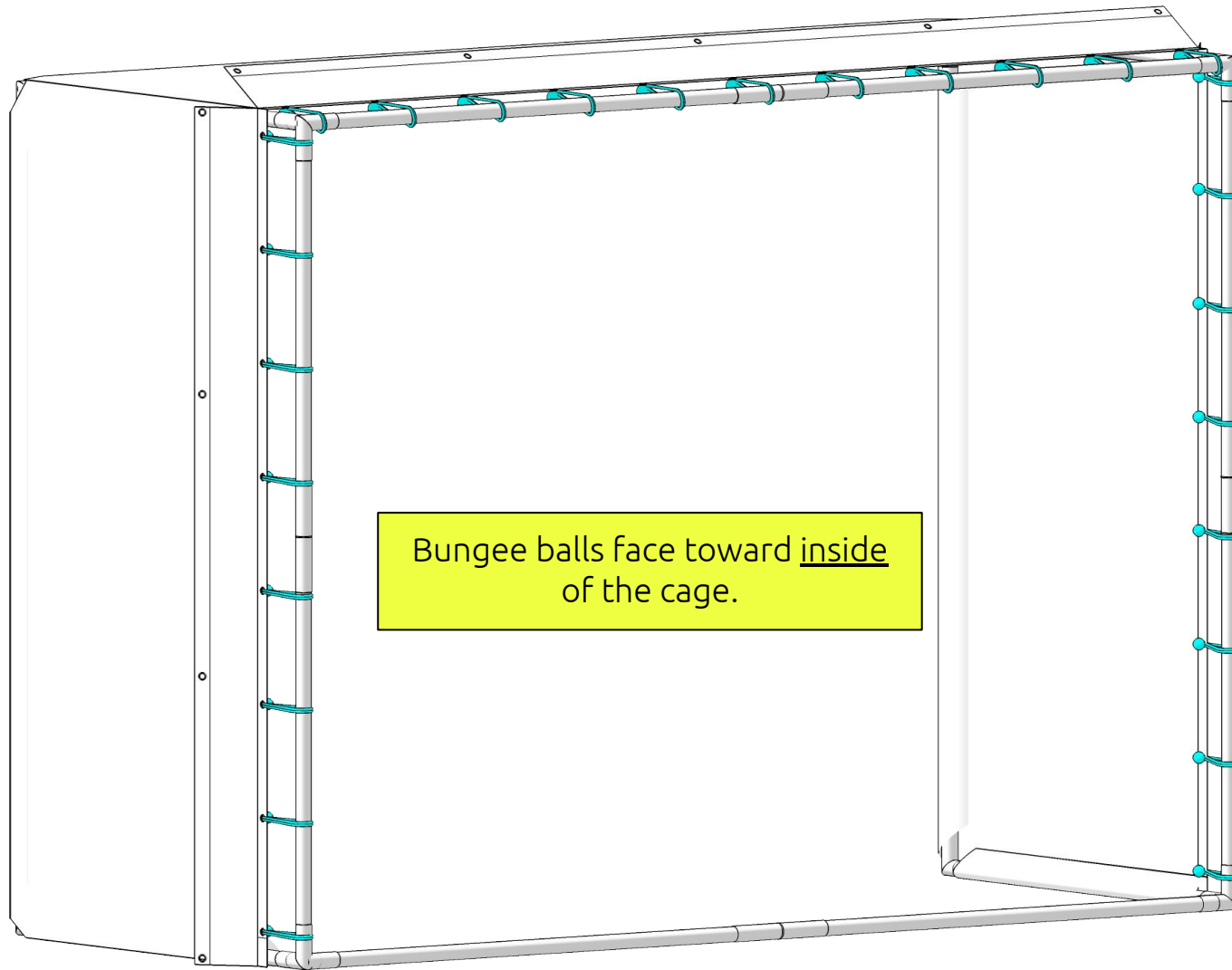
- 2x Blackout Velcro sleeves (top depth poles only)

Install the Wrapper

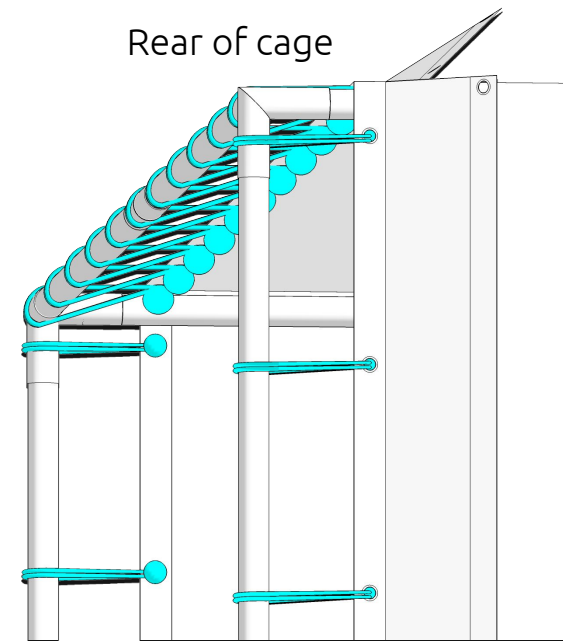


- Drape wrapper over the cage with grommets at the back.
- Wrap sides under bottom depth poles connecting to velcro.
- Wrap front edge around front height and width poles last connecting to velcro.

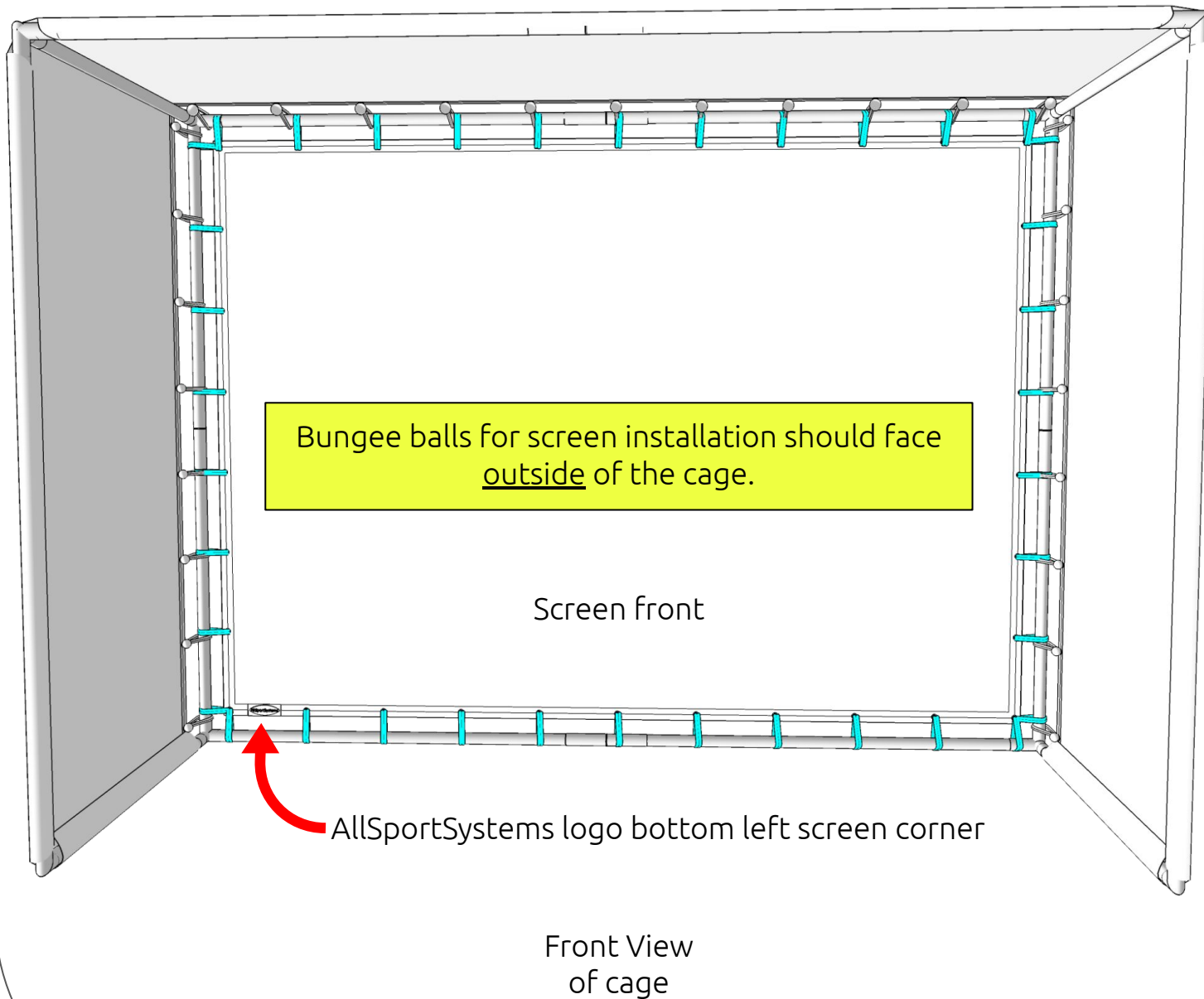
Wrapper continued...



- Bungee wrapper to rear poles.

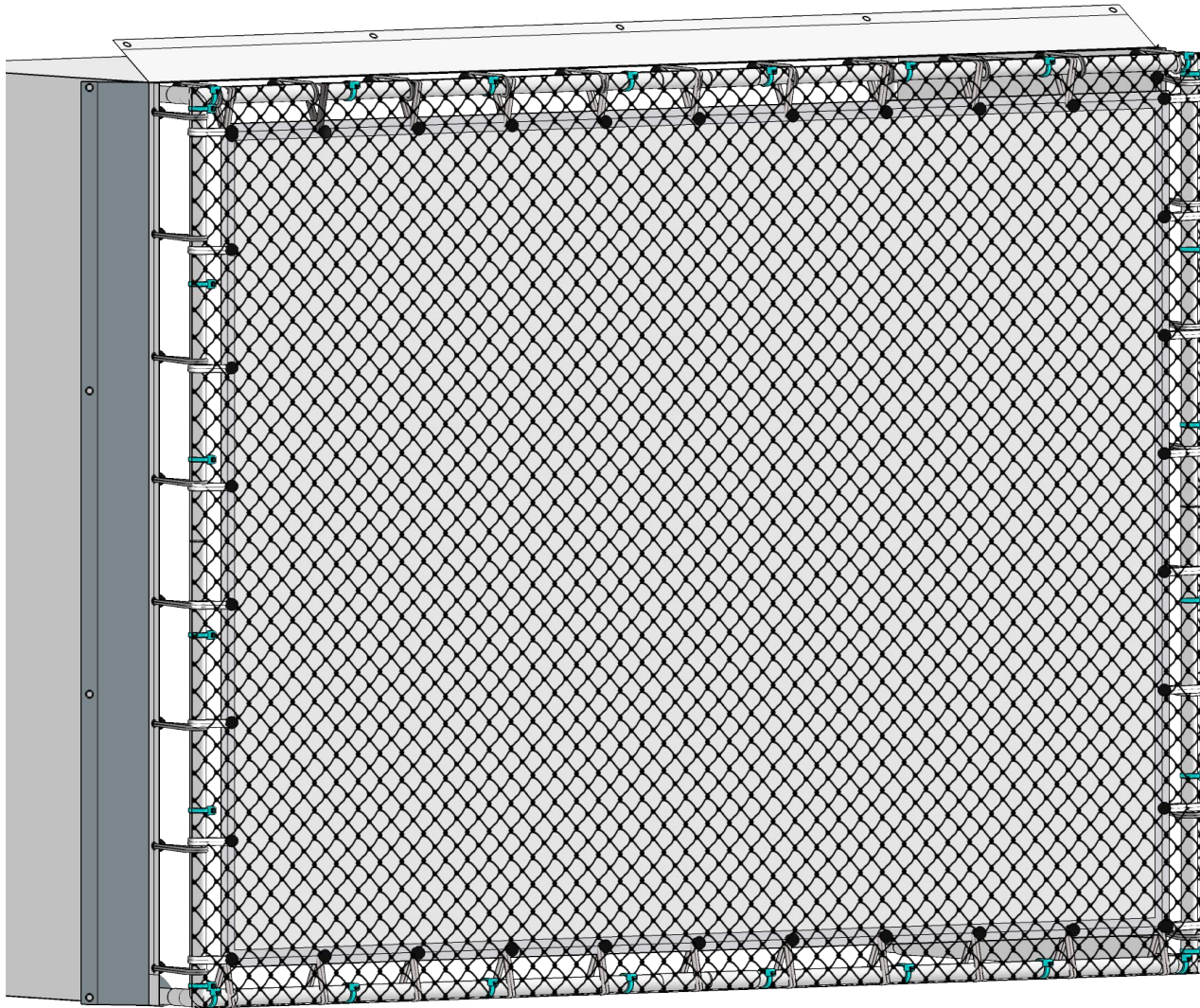


Install Screen

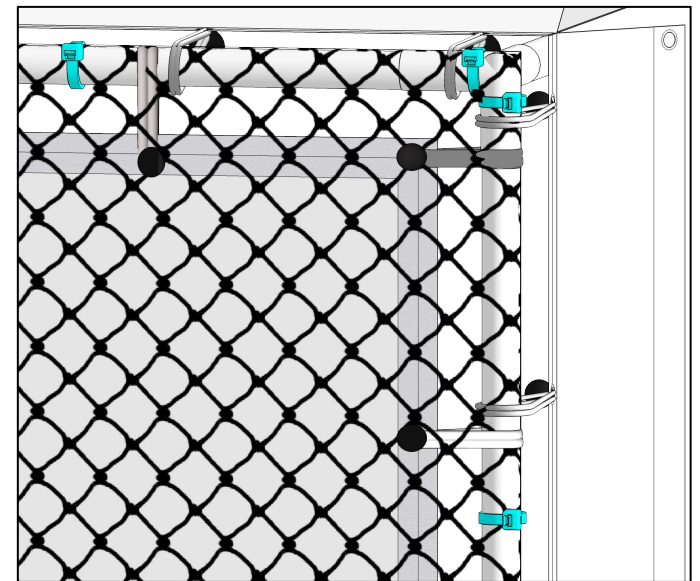


- Screen Orientation:
AllSportSystems Logo should face to the front.
Velcro is sewn along all edges on screen front.
- Starting at the corners, bungee the screen to top and bottom poles.
- Bungee to side poles last.

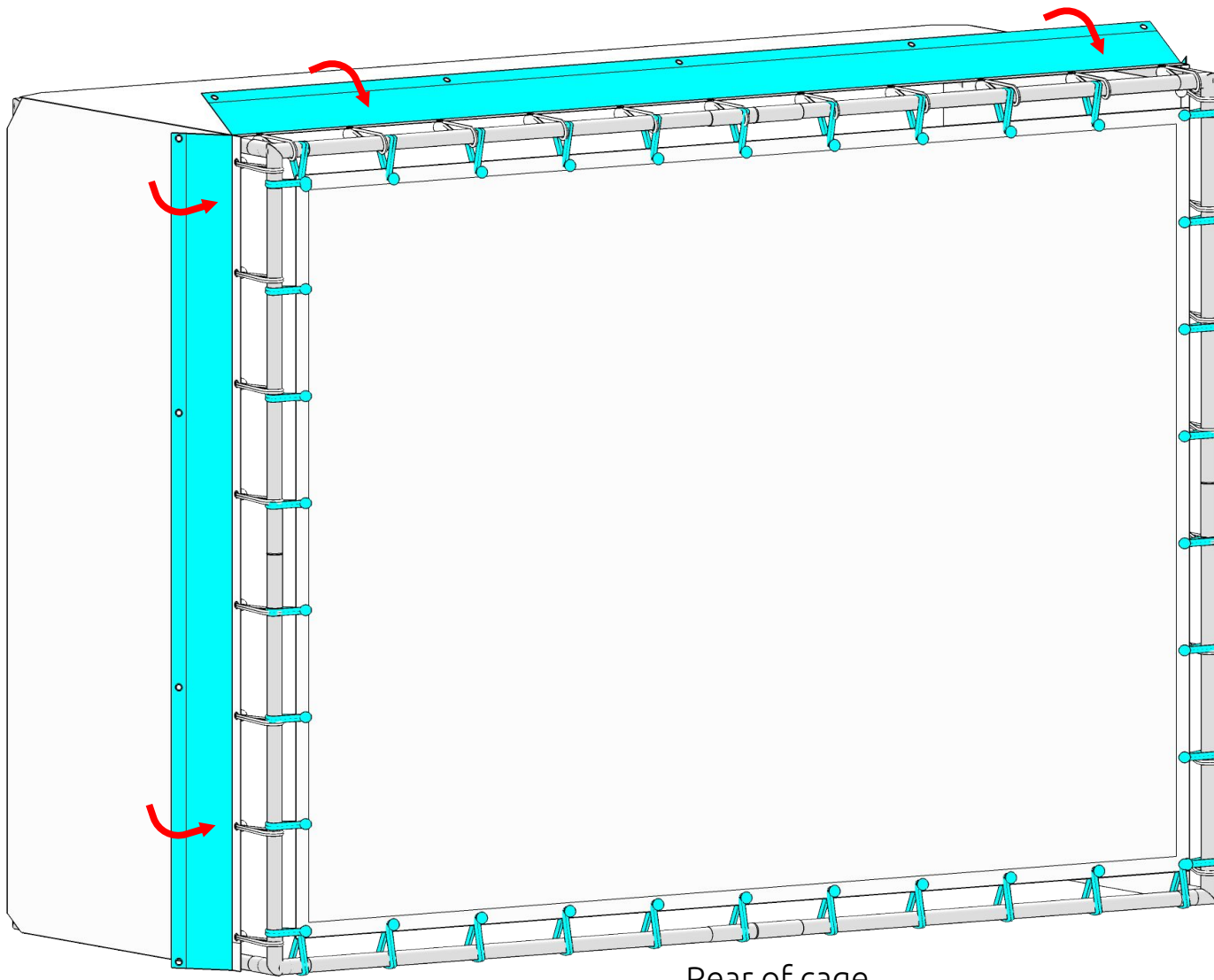
Install Baffle net (optional)



- If you purchased baffle net, use cable ties to attach the net to the rear of of the cage.

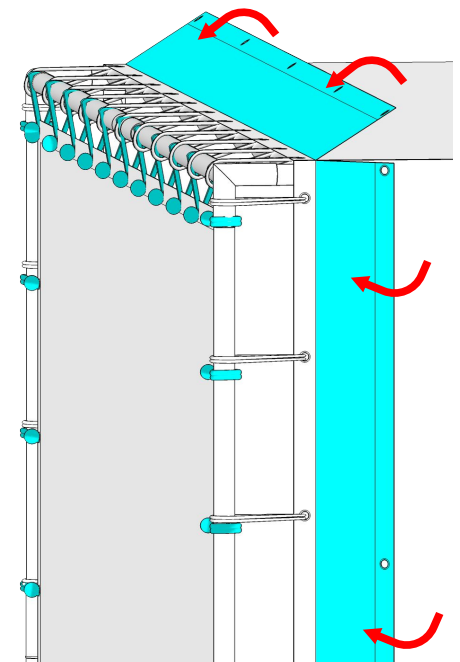


Close Flaps

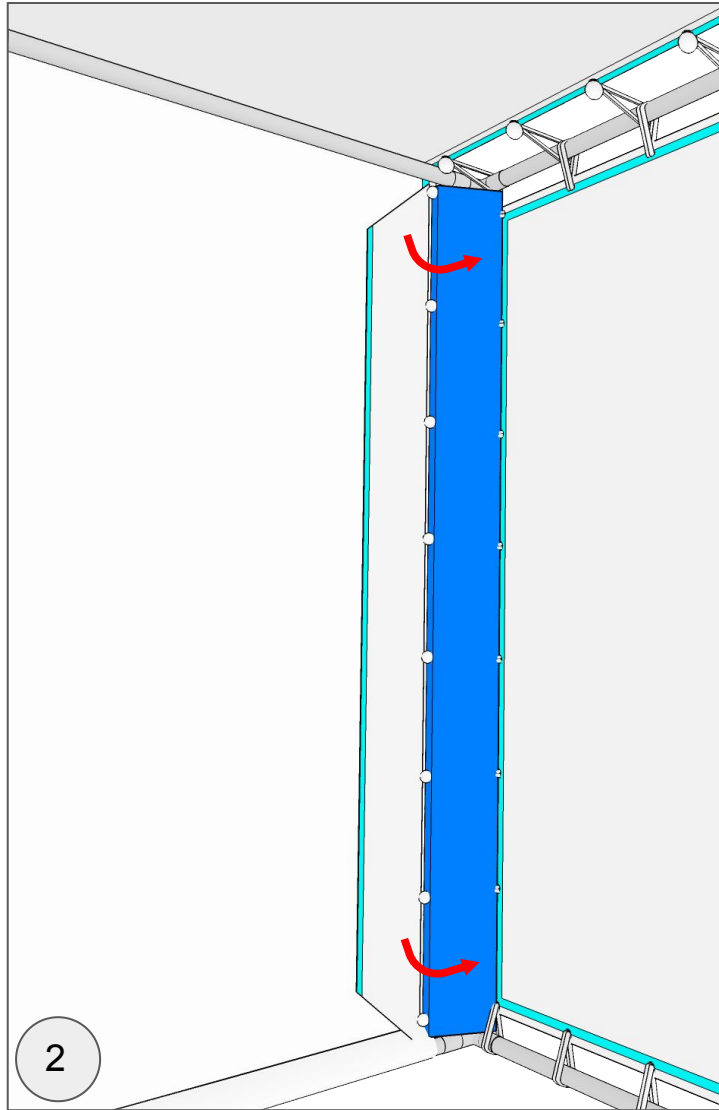
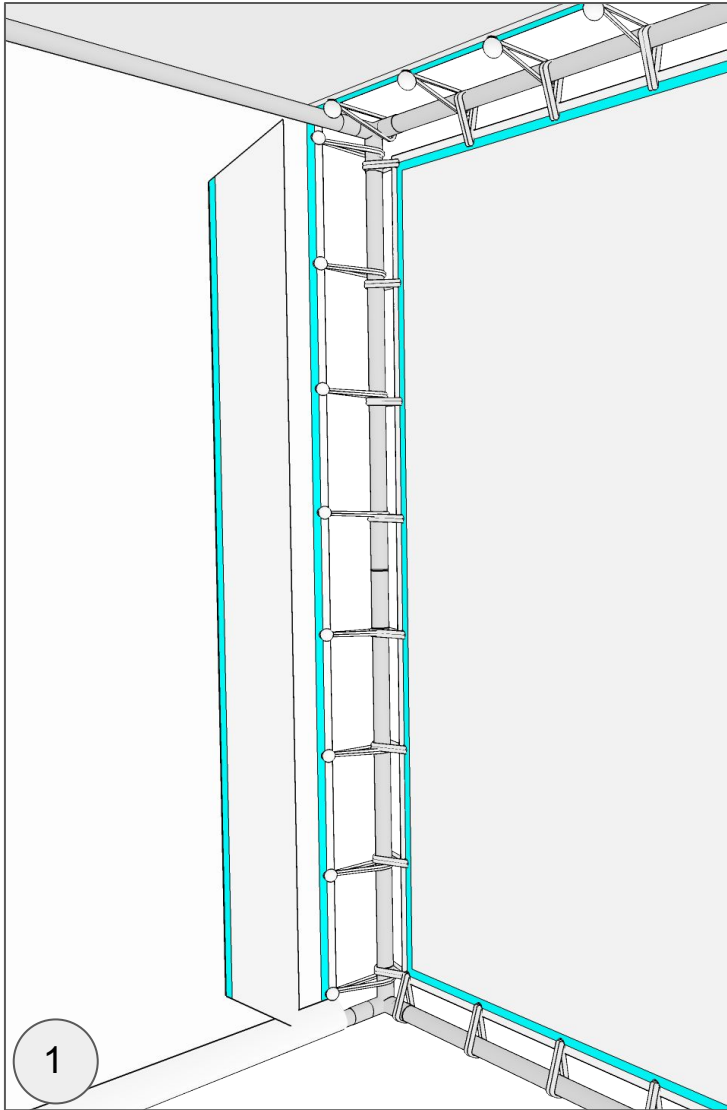


Rear of cage

- Close Flaps on wrapper and bungee to rear poles.



Install Side & Top Trim Fabric

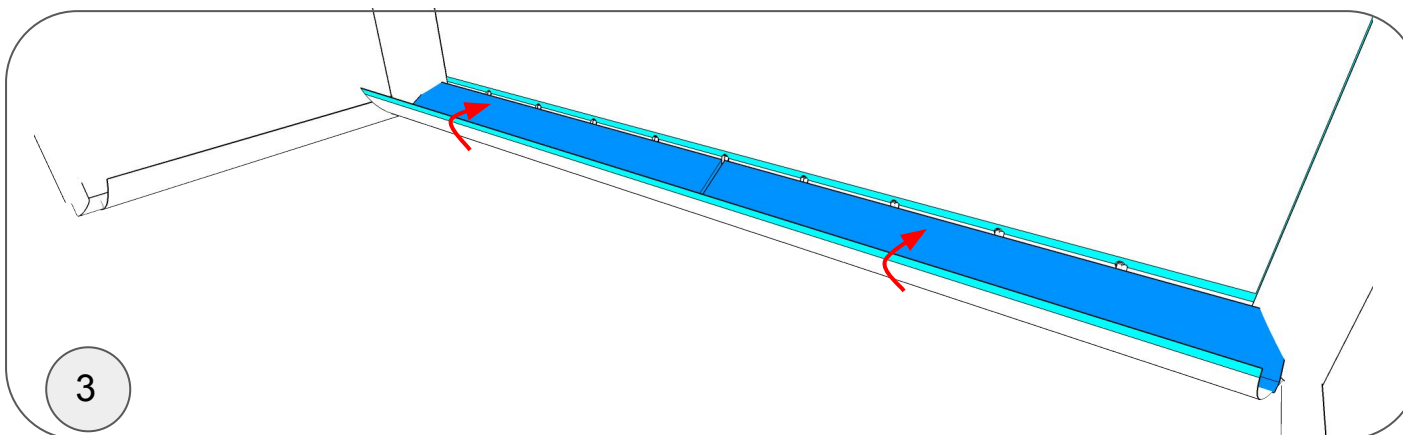
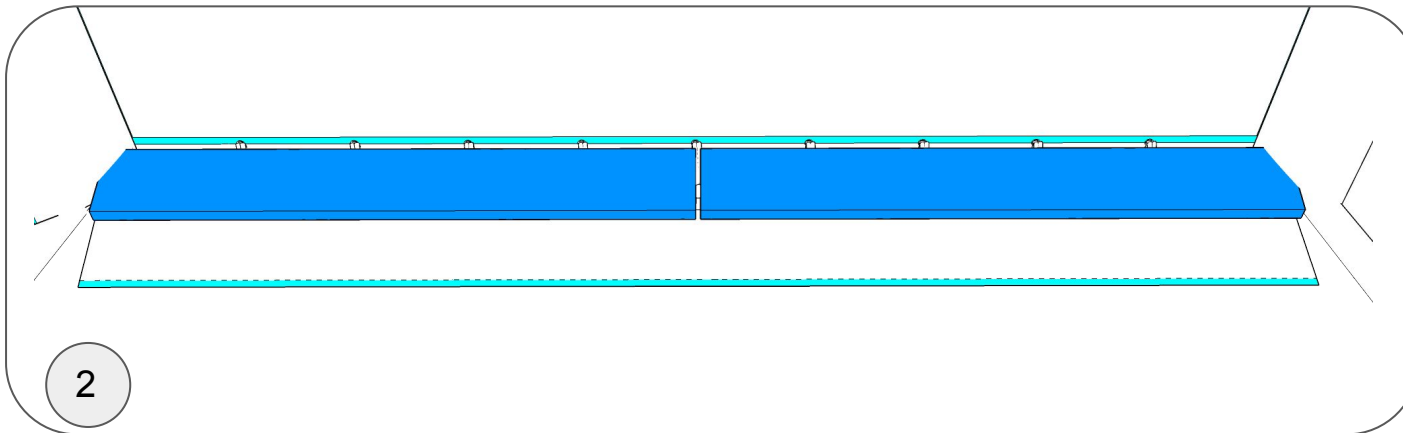
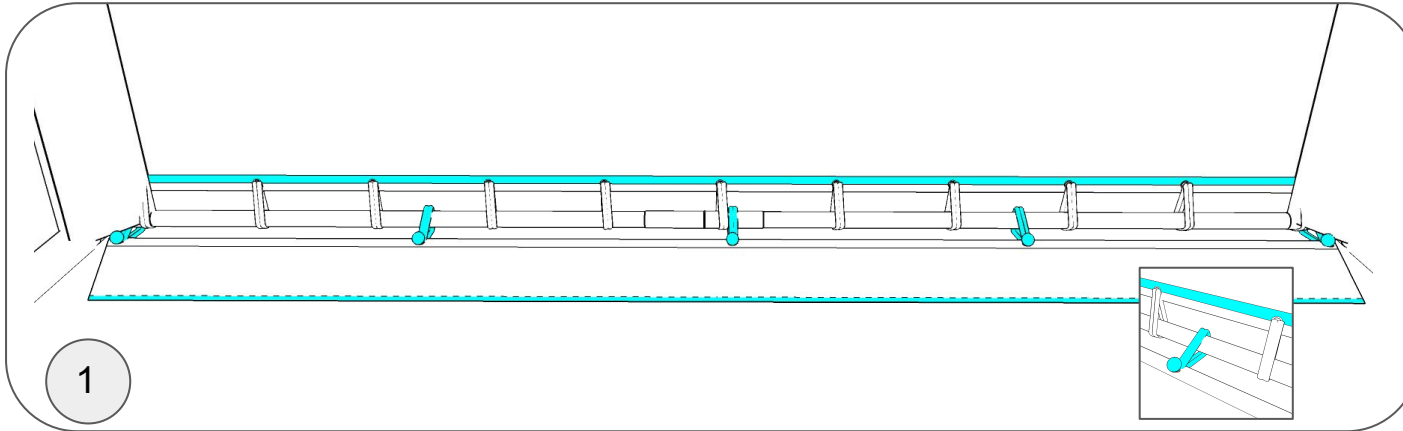


1. Attach long edge of trim fabric to side wall velcro.
2. Position optional foam wedges as shown. Wrap trim fabric around foam and attach to screen velcro.

Repeat for other side and top.

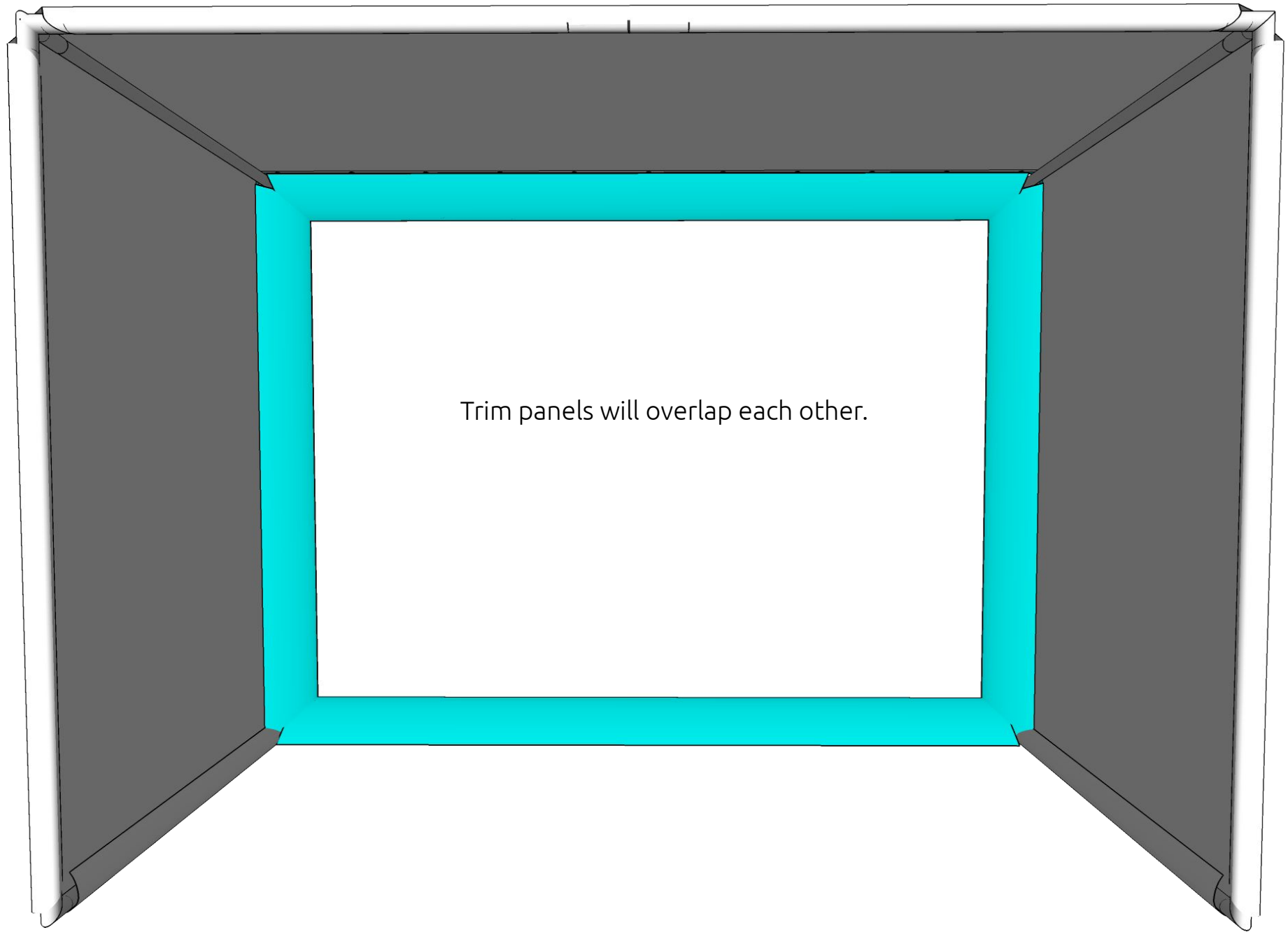
Bungee balls may need to be adjusted when attaching fabric trim to main wrapper.

Install Bottom Trim Fabric



1. Attach trim fabric to bottom pole using ball bungees
2. Place optional foam wedges on trim fabric.
3. Wrap fabric around foam and velcro to bottom of screen.

Finished Trim



Trim panels will overlap each other.

Your DIY Bay™ is ready to go!

- If you purchased SkyGuard™ or Triangle netting upgrades see respective [Setup Guide](#).

